



Service Bulletin

File in Section: -

Bulletin No.: PI0877A

Date: November, 2013

PRELIMINARY INFORMATION

Subject: Heated Seat Indicator Lights Momentarily When Activated / Heated Seats Inoperative / DTC U1524 Stored

Models: 2013 Cadillac SRX

This PI has been revised to change the recommended repair instructions and Warranty Information. Please discard PI0877.

Condition/Concern

Some customers may comment that the heated seat(s) are inoperative. Pressing the heated seat function button on the center stack may make the heated seat indicator illuminate briefly then turn off. Additionally DTC U1524 may be stored.

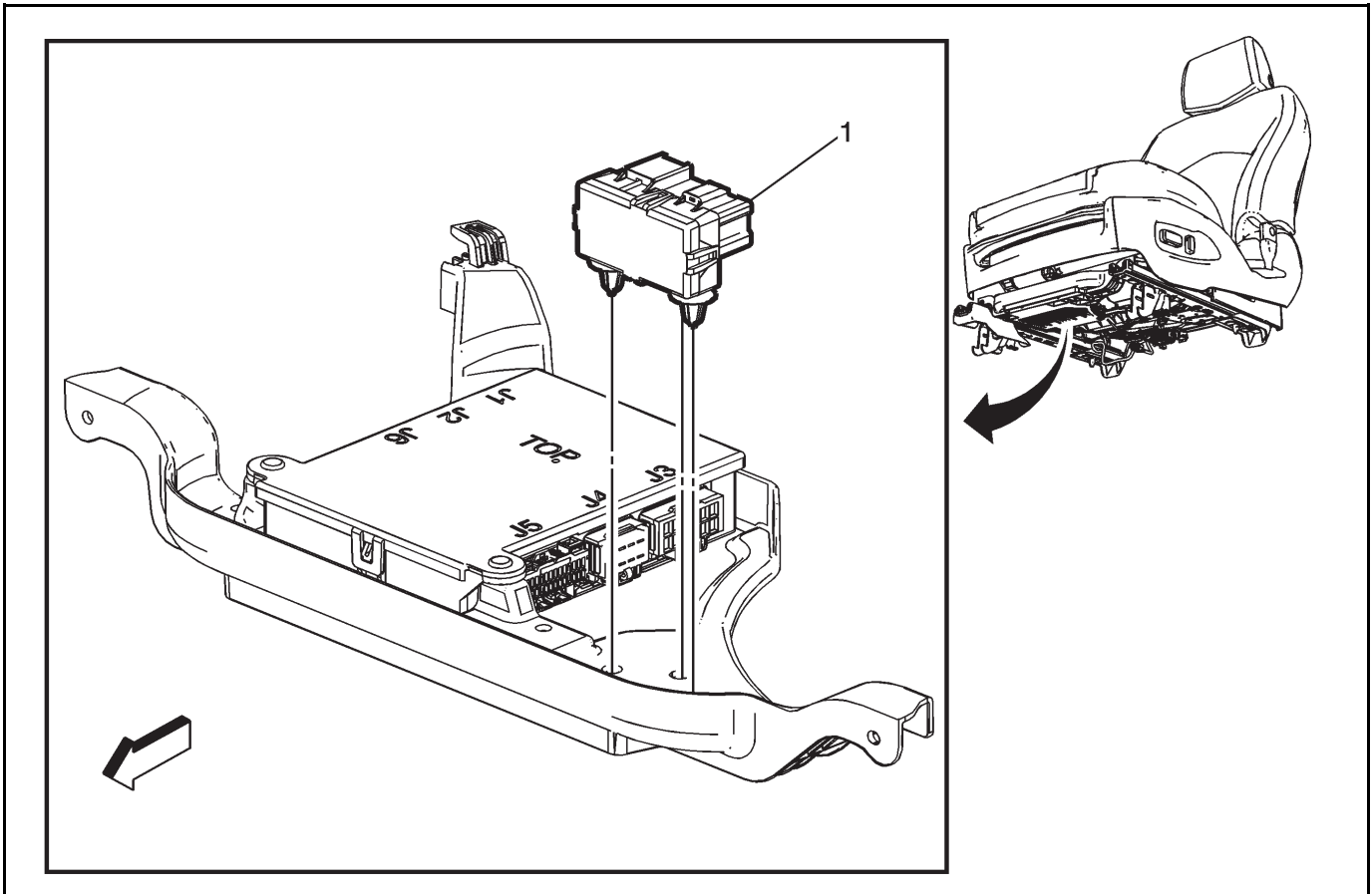
Recommendation/Instructions

To resolve the condition, it will be required to replace the heated seat control module.

Repair Procedure

Note: You must raise the entire seat, not just tilt the front upwards. Moving the seat forward also creates additional clearance for this procedure.

1. Raise the drivers side seat all the way up using the power seat control.



2833616

2. Disconnect the electrical connector from the heated seat module.
3. Remove the heated seat module (1) from the drivers seat bracket.
4. Install the replacement heated seat module (1) to the drivers seat bracket.
5. Connect the heated seat module electrical connector.

Parts Information

Part Number	Description	Quantity
23167247	Module, Heated Seat Control	1

Warranty Information

For vehicles repaired under warranty, use:

Labor Operation	Description	Labor Time
7030320	Front Seat Heater Control Module Replacement	0.2 hr*

*This is a revised Labor Operation Time. The next update of the Labor Time Guide will contain this change.