

TECHNICAL BULLETIN

Q278NAS1
09 OCT 2013



© Jaguar Land Rover North America, LLC

NOTE: The information in Technical Bulletins is intended for use by trained, professional Technicians with the knowledge, tools, and equipment required to do the job properly and safely. It informs these Technicians of conditions that may occur on some vehicles, or provides information that could assist in proper vehicle service. The procedures should not be performed by 'do-it-yourselfers'. If you are not a Retailer, do not assume that a condition described affects your vehicle. Contact an authorized Land Rover service facility to determine whether this bulletin applies to a specific vehicle.

SECTION: 501-25B

Service Action: Battery Box Water Ingress

AFFECTED VEHICLE RANGE:

Range Rover (LG)
Model Year: 2013
VIN: DA100499-DA111073

MARKETS:

NAS

CONDITION SUMMARY:

Situation: A limited number of vehicles within the listed VIN range may have an issue where the battery box within the spare tire well fills with water, disabling the vehicle's main battery.

Action: Retailers are required to **HOLD** all affected vehicles within the listed VIN range that are in their control and refrain from releasing the vehicles for new or used vehicle sale pending completion of the rework action detailed in this Technical Bulletin. Unsold vehicles should have this performed as part of the Pre-Delivery Inspection (PDI) process. Affected vehicles already in the hands of customers should be updated at the next available opportunity.

PARTS:

DESCRIPTION	PART No.	QTY.	*EXPECTED % of VEHICLES REQUIRING PARTS
One-Way Valve	AYB500080	1	100



NOTE: * when ordering parts, order the expected percentage demand of parts identified only

SPECIAL TOOLS:

Refer to Workshop Manual / Service Instruction for any required tools

WARRANTY:



NOTE: Check DDW to ensure that the vehicle is affected by this program prior to undertaking any rework action. Repair procedures are under constant review, and therefore times / prices are subject to change; those quoted here must be taken as guidance only. Refer to the Repair Times Searcher (RTS) on TOPIx to obtain the latest repair time. At the time of confirming a booking for vehicle repair, ensure that all outstanding Service Actions are identified to ensure the correct parts are available and adequate workshop time is allocated for repairs to be completed at one visit.

Warranty claims must be submitted quoting Program Code '**Q278**' together with the relevant Option Code from the table. The SRO and part information listed have been included for information only. The Option Code(s) that allows for the drive in / drive out allowance can only be claimed if the vehicle is brought back into the workshop for this action alone to be

undertaken.

This program is valid for a limited time only. Warranty claims with a repair date prior to the **31 March 2015** closure date must be submitted for payment within 30 calendar days of completion of the repair.

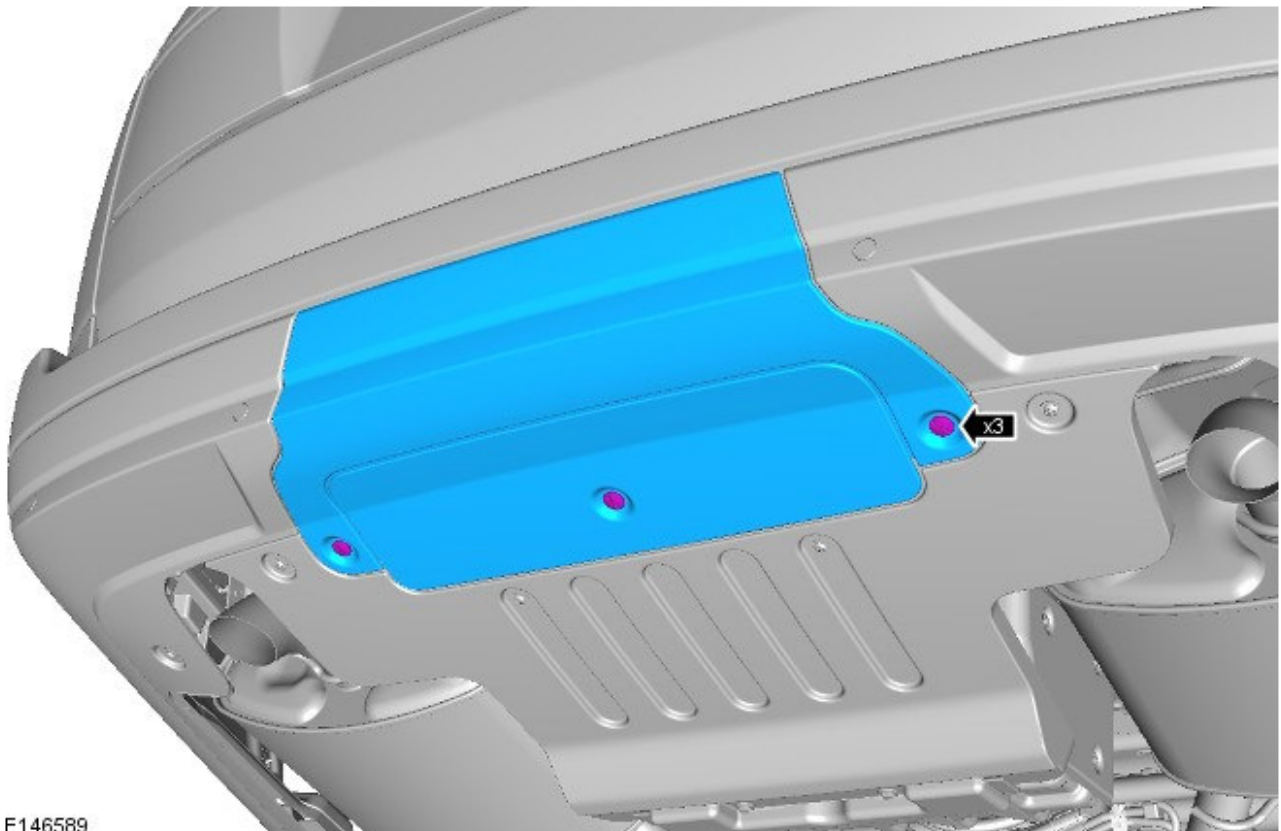
PROGRAM CODE	OPTION CODE	DESCRIPTION	SRO	TIME (HOURS)	PARTS	QTY. / VALUE
Q278	B	Remove blanking plug, drain water and fit one-way valve	05.10.20	0.20	AYB500080	1
Q278	C	Remove blanking plug, drain water and fit one-way valve Drive in/drive out	05.10.20 02.02.02	0.20 0.20	AYB500080	1



NOTE: Normal Warranty policies and procedures apply

SERVICE INSTRUCTION:

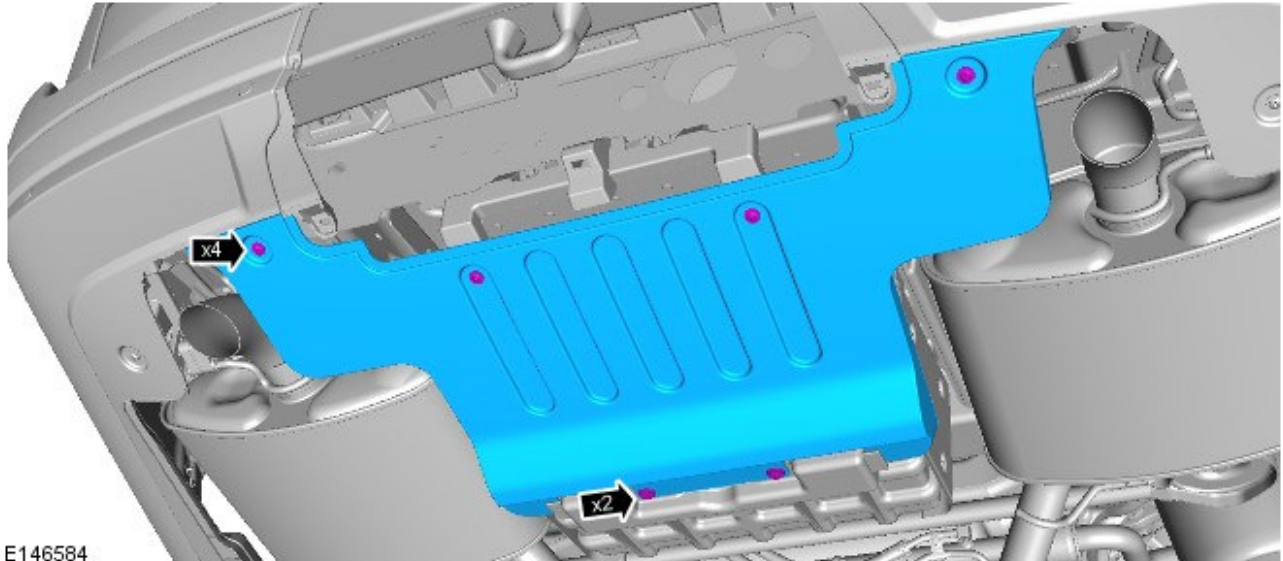
1. Raise the vehicle (see TOPIx Workshop Manual, section 100-02).
2. Remove the rear tow bar cover panel.
 - Remove the three (3) fixings.



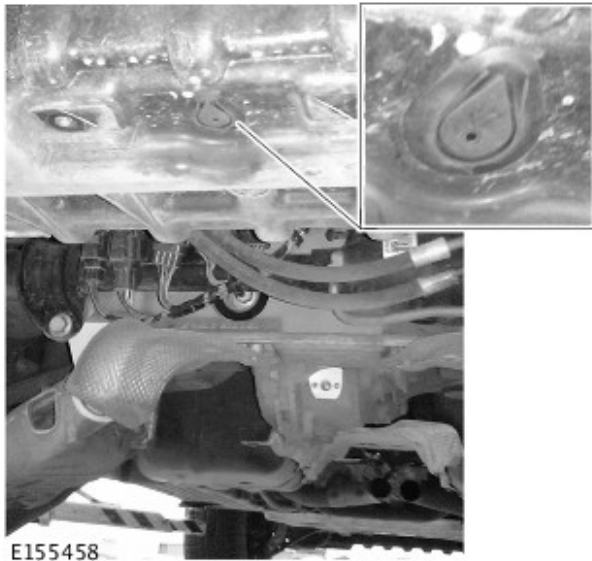
E146589

3. Remove the lower bumper cover.

- Remove the six (6) bolts.

**4. Remove the blanking plug.**

- If required, allow water to drain completely.



5. Install the new one-way valve into the removed blanking plug hole.

6. Install the lower rear bumper cover:

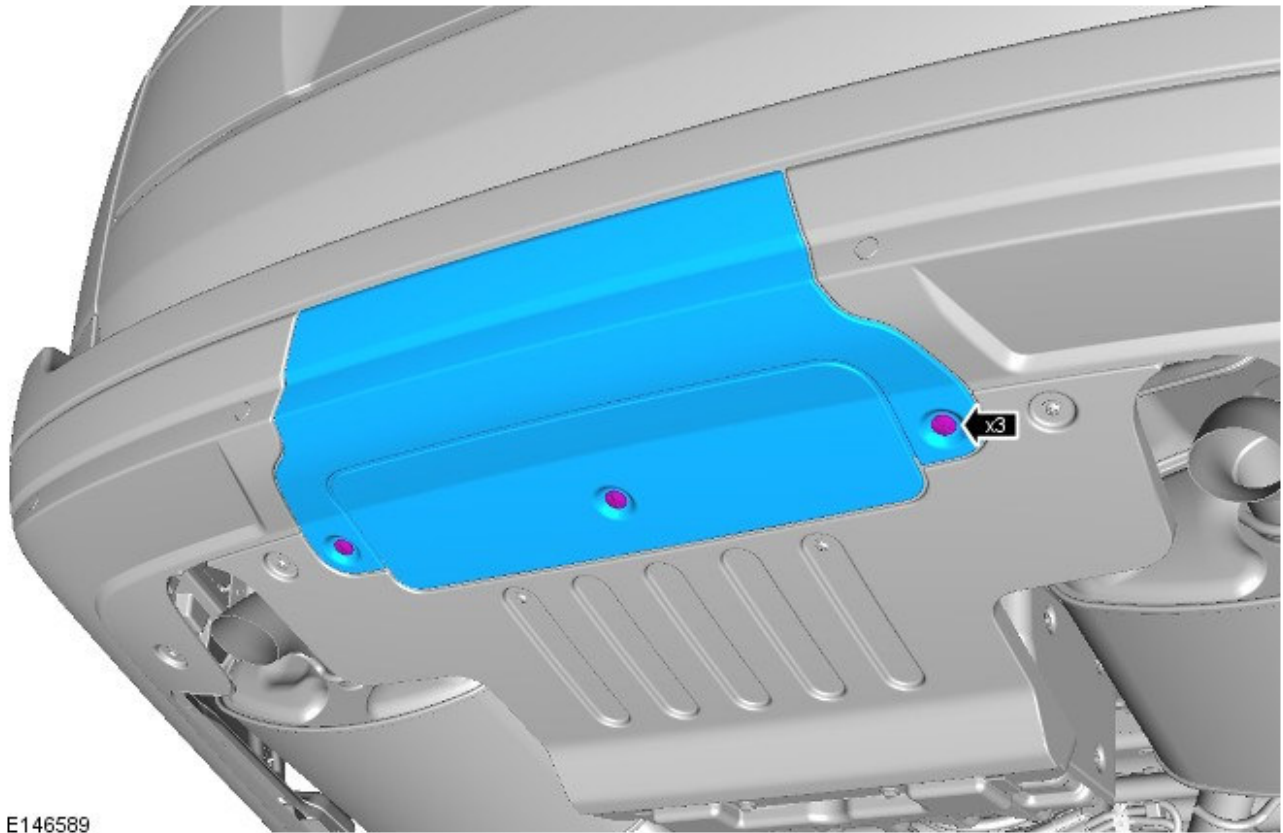
- Install the six (6) bolts.



E146584

7. Install the rear tow hitch receiver cover panel:

- Install the three (3) bolts



E146589

8. Lower the vehicle (see TOPIx Workshop Manual, section 100-02).