

TECHNICAL BULLETIN
Q276NAS1
09 OCT 2013



© Jaguar Land Rover North America, LLC

NOTE: The information in Technical Bulletins is intended for use by trained, professional Technicians with the knowledge, tools, and equipment required to do the job properly and safely. It informs these Technicians of conditions that may occur on some vehicles, or provides information that could assist in proper vehicle service. The procedures should not be performed by 'do-it-yourselfers'. If you are not a Retailer, do not assume that a condition described affects your vehicle. Contact an authorized Land Rover service facility to determine whether this bulletin applies to a specific vehicle.

SECTION: 501-05

Service Action: Door Speaker Casing Corrosion

AFFECTED VEHICLE RANGE:

Range Rover (LG)
Model Year: 2013
VIN: DA100499-DA106394

MARKETS:

NAS

CONDITION SUMMARY:

Situation: Vehicles within the listed VIN range may have an issue where the door casing base speaker may have corrosion on it.

Action: Retailers are required to **HOLD** all affected vehicles in the above VIN range that are in their control and refrain from releasing the vehicles for new or used vehicle sale pending completion of the rework action detailed in this Technical Bulletin. Unsold vehicles should have this performed as part of the Pre-Delivery Inspection (PDI) process. Affected vehicles already in the hands of customers should be updated at the next available opportunity.

PARTS:

DESCRIPTION	PART No.	QTY. / VALUE	*EXPECTED % of VEHICLES REQUIRING PARTS
Speaker Grill - Cirrus Grey	LR049816	1	100
Speaker Grill - Ivory	LR049817	1	100
Speaker Grill - Ebony	LR049818	1	100
Speaker Grill - Almond	LR049819	1	100



NOTE: * Quantity of '1' (one) is for four (4) grills (vehicle set)



NOTE: ** when ordering parts, order by interior trim color the expected percentage demand of parts identified only

SPECIAL TOOLS:

Refer to Workshop Manual / Repair Procedure for any required special tools

WARRANTY:

Warranty claims must be submitted quoting Program Code 'Q276' together with the relevant Option Code from the table. The SRO and part information listed have been included for information only. The Option Code(s) that allows for the drive in / drive out allowance can only be claimed if the vehicle is brought back into the workshop for this action alone to be undertaken.

This program is valid for a limited time only. Warranty claims with a repair date prior to the **31 March 2015** closure date must be submitted for payment within 30 calendar days of completion of the repair.

PROGRAM CODE	OPTION CODE	DESCRIPTION	SRO	TIME (HOURS)	PARTS	QTY. / VALUE
Q276	B	Remove trim panel and replace speaker grills	86.50.76	1.60	LR049816	1
Q276	C	Remove trim panel and replace speaker grills Drive in/drive out	86.50.76 02.02.02	1.60 0.20	LR049816	1
Q276	D	Remove trim panel and replace speaker grills	86.50.76	1.60	LR049817	1
Q276	E	Remove trim panel and replace speaker grills Drive in/drive out	86.50.76 02.02.02	1.60 0.20	LR049817	1
Q276	F	Remove trim panel and replace speaker grills	86.50.76	1.60	LR049818	1
Q276	G	Remove trim panel and replace speaker grills Drive in/drive out	86.50.76 02.02.02	1.60 0.20	LR049818	1
Q276	H	Remove trim panel and replace speaker grills	86.50.76	1.60	LR049819	1
Q276	J	Remove trim panel and replace speaker grills Drive in/drive out	86.50.76 02.02.02	1.60 0.20	LR049819	1



NOTE: Normal Warranty policies and procedure apply

SERVICE INSTRUCTION:

1. Remove front-right door trim (see TOPIX Workshop Manual section 501-05).

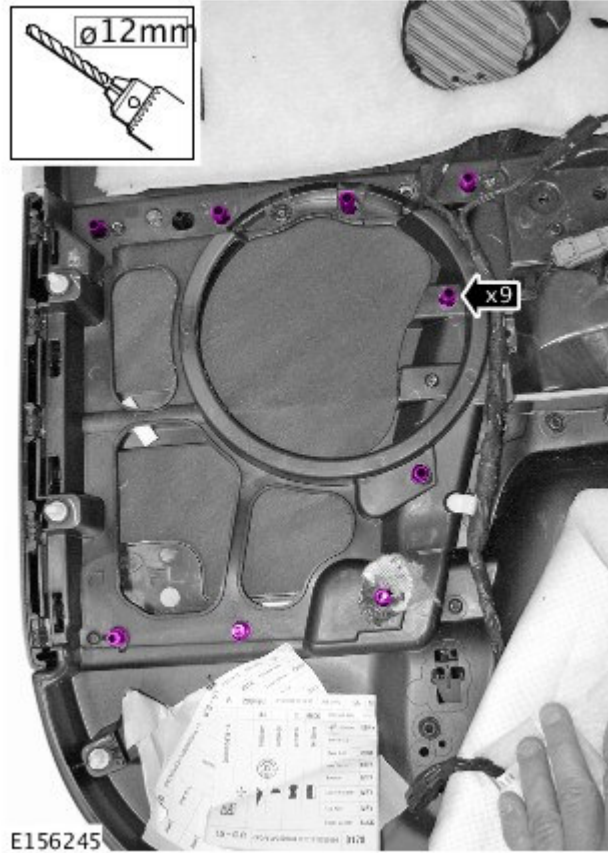


2. **CAUTION: Make sure that only the head of the fixing is removed. Do not drill any deeper than necessary.**



NOTE: Cover the work surface with soft material to make sure there is no surface damage to the door.

Remove the nine (9) existing welds using a 12mm diameter drill.



3.  **NOTE: To avoid surface damage, ensure area is clear from swarf and debris.**

Remove and discard speaker grill.

- Release the three (3) clips.

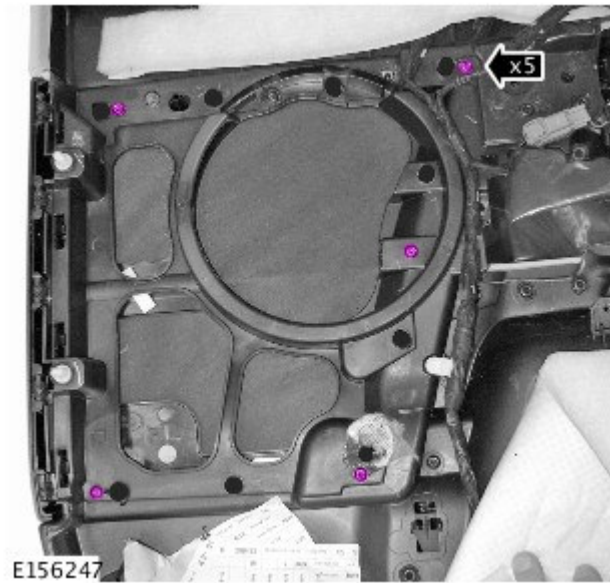


4. Install the new speaker grill and clip in place.



5. Install the new speaker cover.

1. Install and tighten the five (5) fixings.





6. Install the new door casing retaining clips to the door trim.

- Install front-right door trim (see TOPIX Workshop Manual section 501-05).

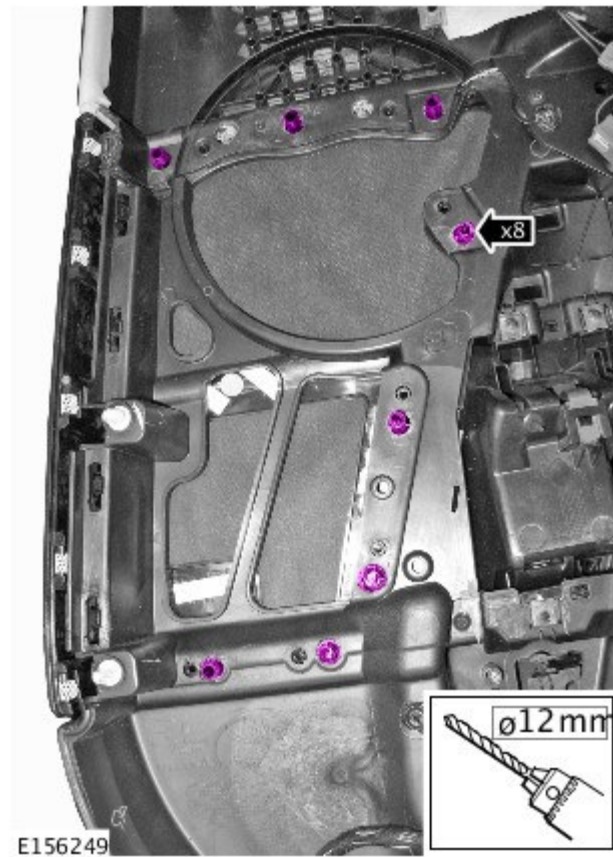
7. Repeat steps 1-6 to the front-left door.

8. Remove rear-right door trim (see TOPIX Workshop Manual section 501-05).

9.  **CAUTION: Make sure that only the head of the fixing is removed. Do not drill any deeper than necessary.**

 **NOTE: Cover the work surface with soft material to make sure there is no surface damage to the door.**

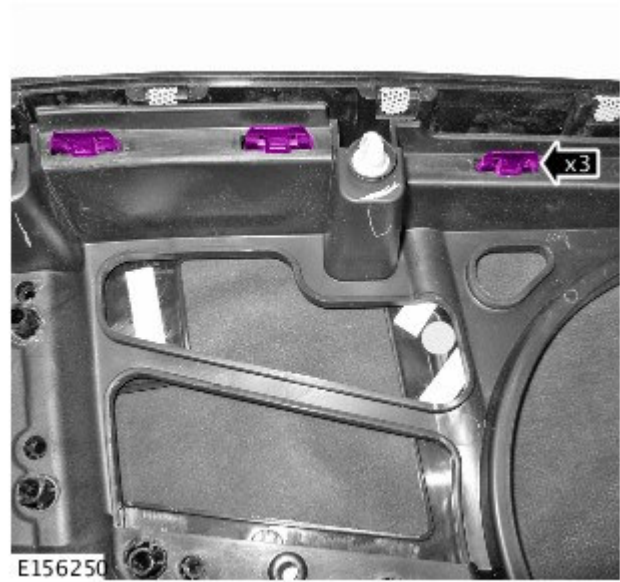
Remove the eight (8) existing welds using a 12mm diameter drill.



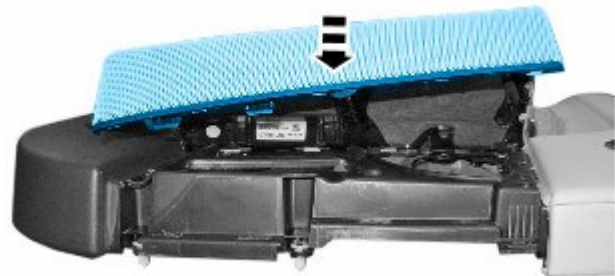
10.  **NOTE: To avoid surface damage, ensure area is clear from swarf and debris.**

Remove and discard speaker grill.

- Release the three (3) clips.

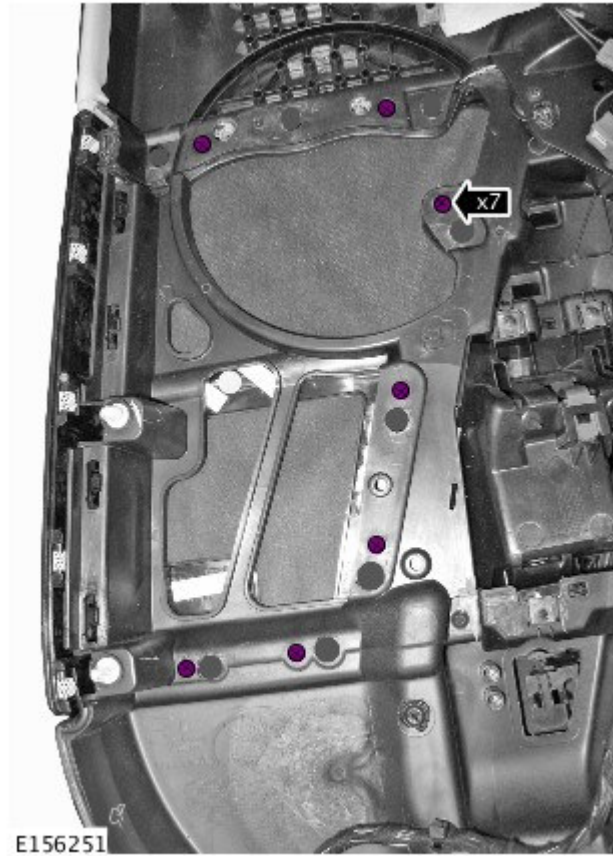


11. Install the new speaker grill and clip in place.



12. Install the new speaker cover.

- Install and tighten the seven (7) fixings.



13. Install the new door casing retaining clips to the door trim.

- Install rear-right door trim (see TOPIx Workshop Manual, Section 501-05).

14. Repeat steps 8-13 to the rear-left door.