

TECHNICAL BULLETIN  
LTB00525NAS1  
05 MAR 2013



© Jaguar Land Rover North America, LLC

NOTE: The information in Technical Bulletins is intended for use by trained, professional Technicians with the knowledge, tools, and equipment required to do the job properly and safely. It informs these Technicians of conditions that may occur on some vehicles, or provides information that could assist in proper vehicle service. The procedures should not be performed by 'do-it-yourselfers'. If you are not a Retailer, do not assume that a condition described affects your vehicle. Contact an authorized Land Rover service facility to determine whether this bulletin applies to a specific vehicle.

**SECTION: 501-03**

'Creak' Noise From Door / Body Seal

**AFFECTED VEHICLE RANGE:**

**Range Rover Evoque (LV)**

**Model Year: 2012-2014**

**VIN: CH000447 Onwards**

**MARKETS:**

NAS

**CONDITION SUMMARY:**

**Situation:**

A 'creak' noise may be heard from the front or rear door / body seal area.



**NOTE: All door margin seals (two [Coupe] or four [5-Door]) must be replaced.**

**Cause:** This may be caused by the door margin seal moving against the body and causing a 'creak' noise.

**Action:** In the event of a customer concern of the above, refer to the Repair Procedure outlined below.

**PARTS:**

LR048533	Door margin seal - Right-front - 5-door	Quantity: 1
LR048536	Door margin seal - Left-front - 5-door	Quantity: 1
LR048537	Door margin seal - Right-rear - 5-door	Quantity: 1
LR048538	Door margin seal - Left-rear - 5-door	Quantity: 1
LR048534	Door margin seal - Right-front - Coupe	Quantity: 1
LR048535	Door margin seal - Left-front - Coupe	Quantity: 1

**WARRANTY:**



**NOTE: Repair procedures are under constant review, and therefore times are subject to change; those quoted here must be taken as guidance only. Always refer to TOPIx to obtain the latest repair time.**



**NOTE: DDW requires the use of causal part numbers. Labor only claims must show the causal part number with a quantity of zero.**

DESCRIPTION	SRO	TIME (HOURS)	CONDITION CODE	CAUSAL PART
Flip seal vehicle set - 5-door	<b>76.31.63</b>	0.60	42	LR033099
Flip seal vehicle set - Coupe	<b>76.31.63</b>	0.40	42	LR033100



**NOTE: Normal Warranty policies and procedures apply.**

**REPAIR PROCEDURE:**

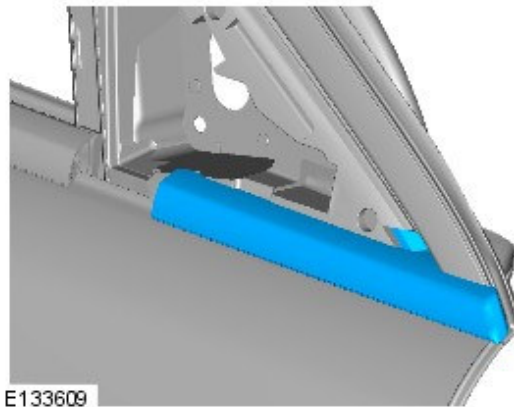
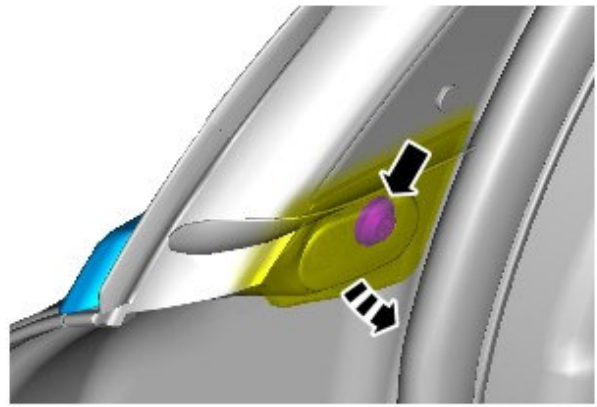
**5-Door Front Door Seal**

1. Note the installed position of the door seal in the two positions shown.

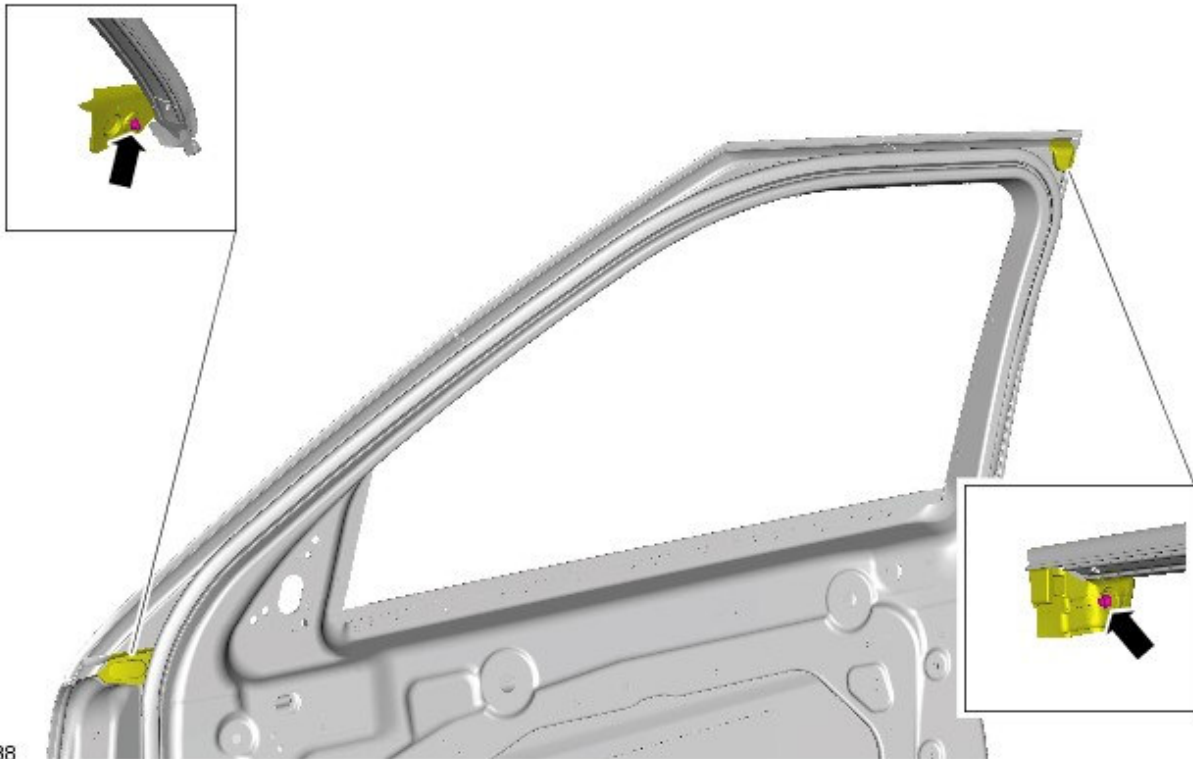


E153339

2. Release the waist seal.
  - Remove the Torx screw.



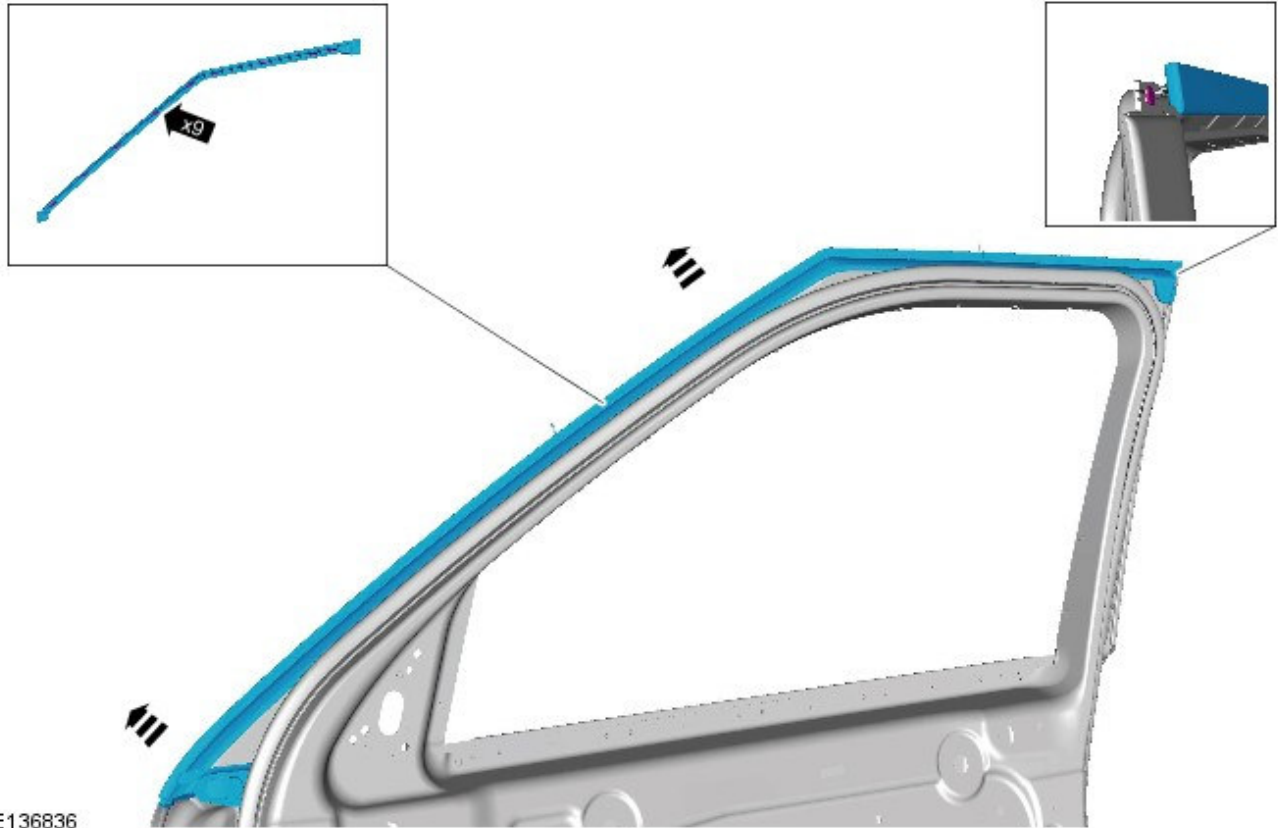
3. Release the two (2) fir tree clips.



E136838

4.  **NOTE: Note the installed position of the seal prior to removal.**

Remove the door seal.



E136836

5.  **NOTE: Make sure that the seal is correctly located in the positions noted in step 1.**

Install the door seal.

- Locate the inner edge of the door seal in to the door frame.
  - Fully locate the outer edge of the door seal in to the door frame.
- Repeat the above steps along the entire length of the door seal until it is fully located in to the door frame.



E153338

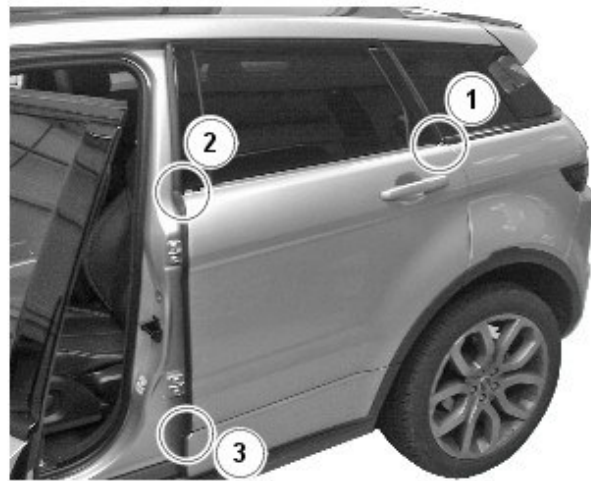
6. Install the door seal.

- Reverse steps 2-3.
- Tighten the Torx screw to 1.2 Nm.

7. Repeat steps 1-6 to the other front door.

#### 5-Door Rear Door Seal

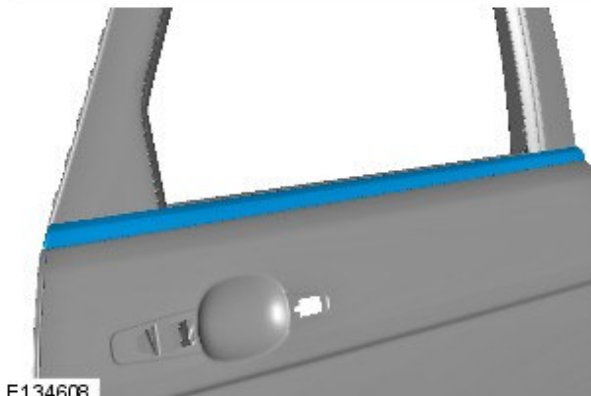
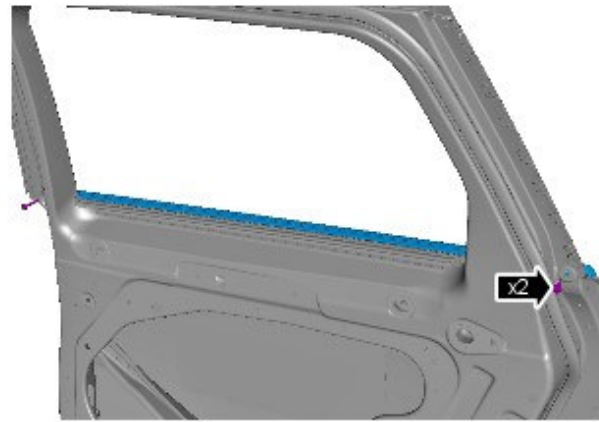
8. Note the installed position of the door seal in the three positions shown.




E153374

9. Remove the waist seal.

- Remove the two (2) Torx screws.

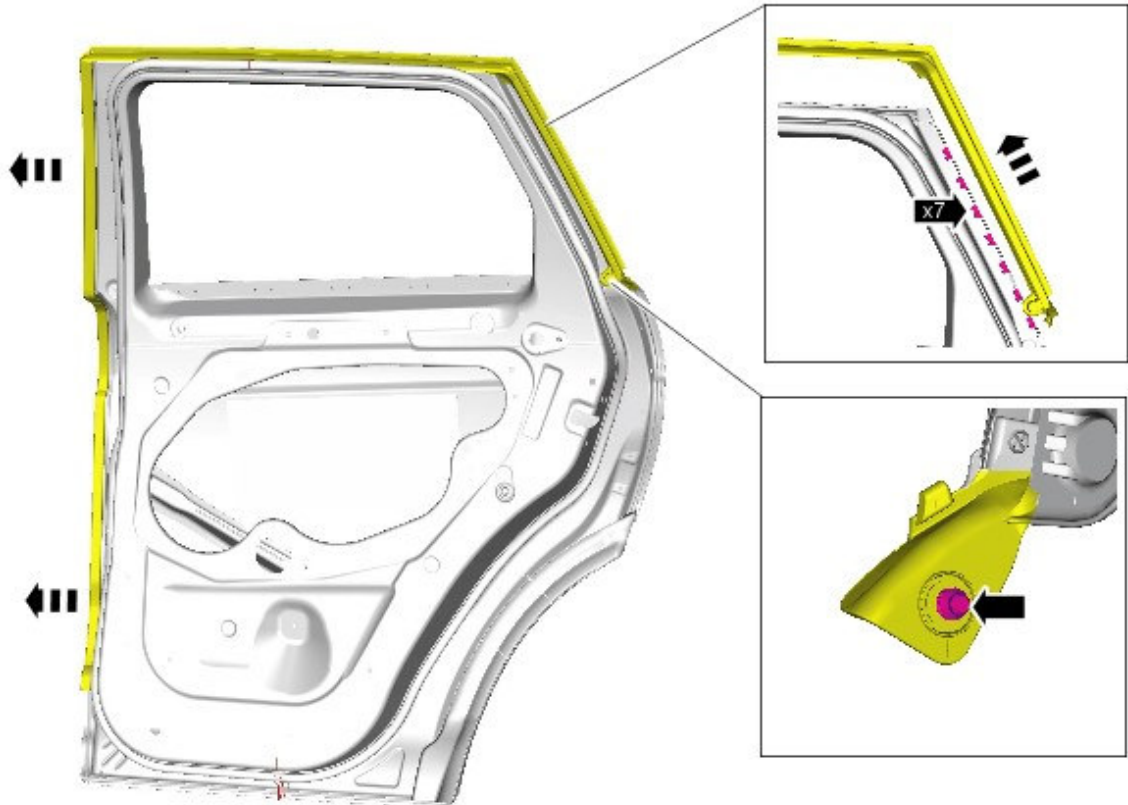


E134608

10.  **CAUTION: Make sure that the rear section of the door seal is released by sliding the door seal upwards; failure to follow this instruction may result in damage to the door trim.**

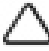
Remove the door seal.


- Release the fir tree clip.
- Carefully slide the door seal upwards to release the rear edge of the door seal.



E136963

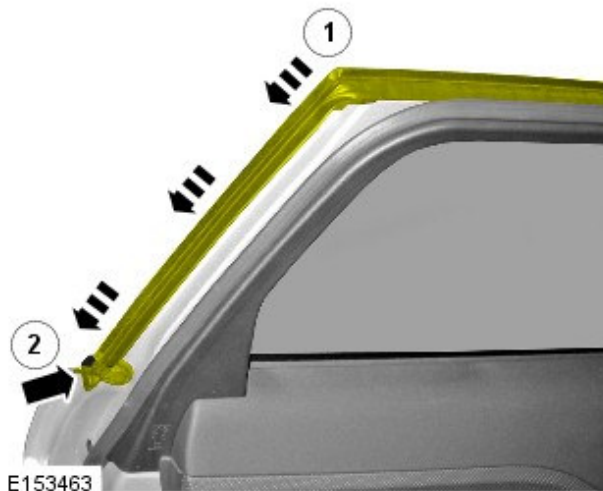
11.  **NOTE: Left door seal shown, right door seal similar.**

 **NOTE: Make sure that the seal is correctly located in the position noted in step 8.**

 **NOTE: Use a suitable soap solution to aid installation of the seal to the retaining clips.**

Install the seal.

- Carefully slide the door seal downwards to secure the rear edge of the door seal.
- Secure the fir tree clip.



E153463

12.  **NOTE: Front door seal shown; rear door seal similar.**

Secure the door seal.

- Locate the inner edge of the door seal in to the door frame.
- Fully locate the outer edge of the door seal in to the

- door frame.
- Repeat the above steps along the entire length of the door seal until it is fully located in to the door frame.



E153338

- 13.** Secure the door seal.

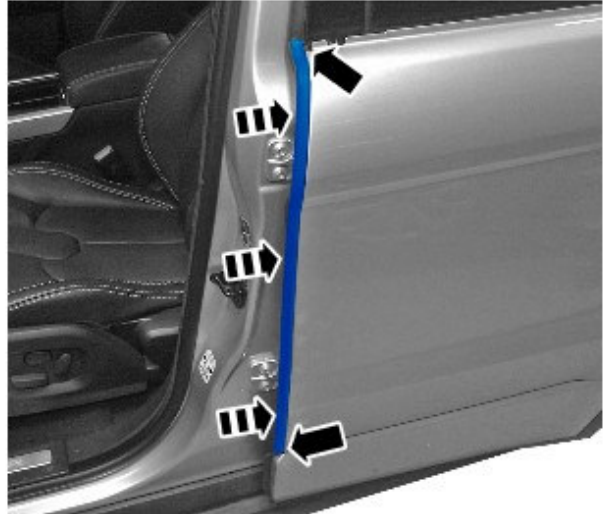


E153372

- 14.**  **NOTE: Make sure that the seal is correctly located in the positions noted in step 8.**

Secure the door seal.

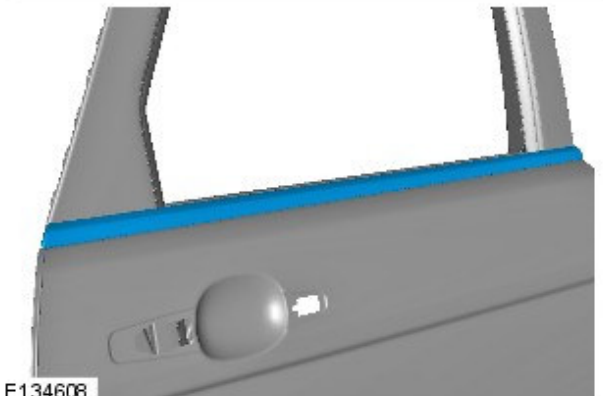
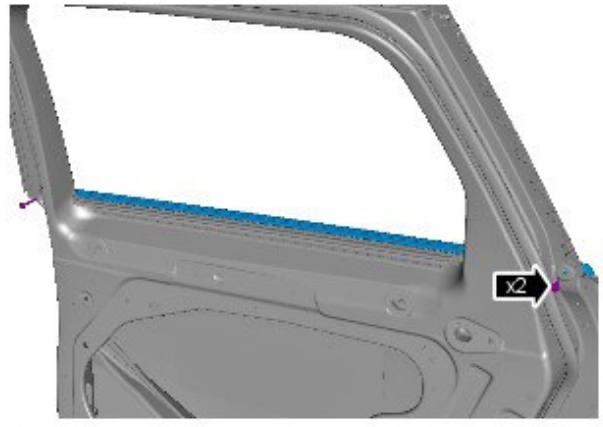




E153373

**15.** Install the waist seal.

- Tighten the two (2) Torx screws to 1.2 Nm.

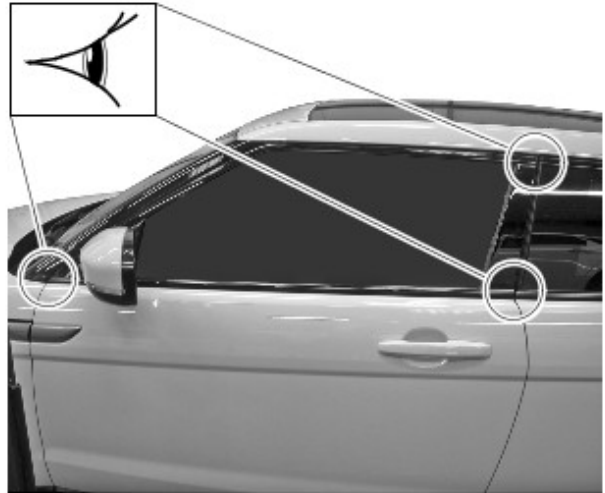


E134608

**16.** Repeats steps 8-15 to the other rear door.

**Coupe Front Door Seal**

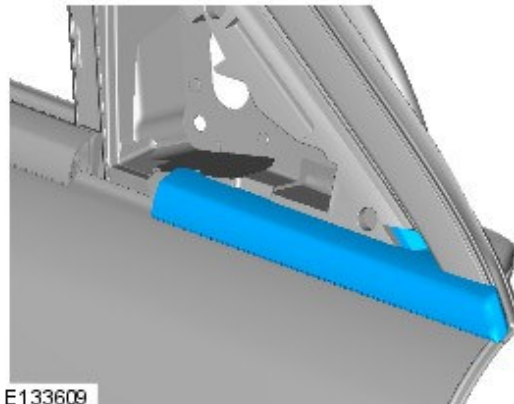
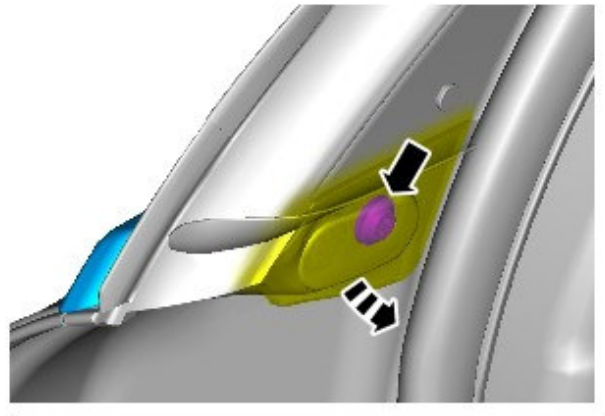
- 17.** Note the installed position of the door seal in the three positions shown.



E153467

**18.** Release the waist seal.

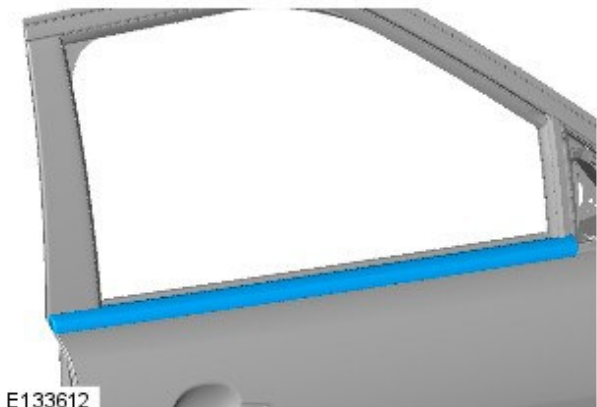
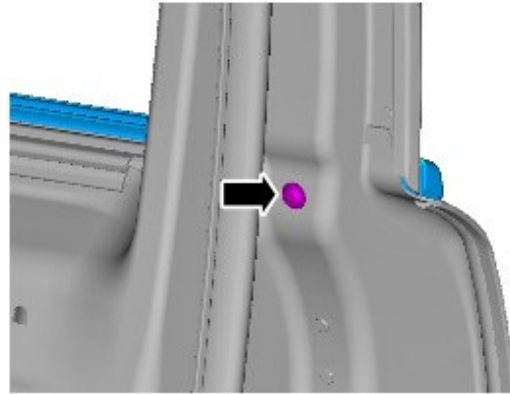
- Remove the Torx screw.



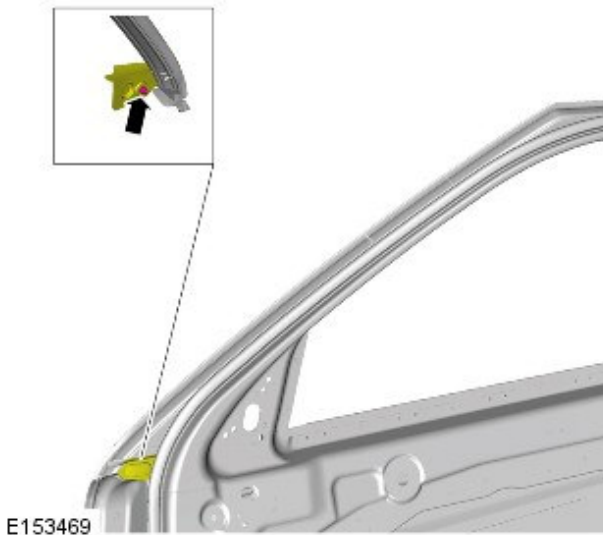
E133609


**19.** Release the waist seal.

- Remove the Torx screw.



20. Release the fir tree clip.



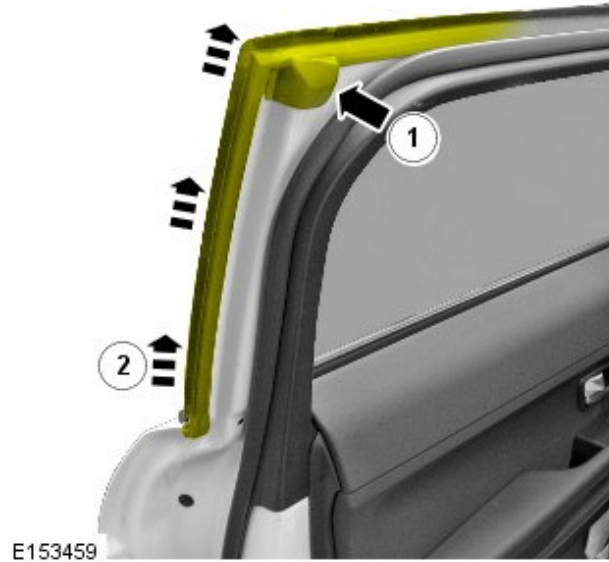
21.  **CAUTION:** Make sure that the rear section of the door seal is released by sliding the door seal upwards. Failure to follow this instruction may result in damage to the door trim.

 **NOTE:** Left door seal shown; right door seal similar.


 **NOTE: Note the installed position of the seal prior to removal.**

Remove the door seal.

- Release the fir tree clip.
- Carefully slide the door seal upwards to release the rear edge of the door seal.



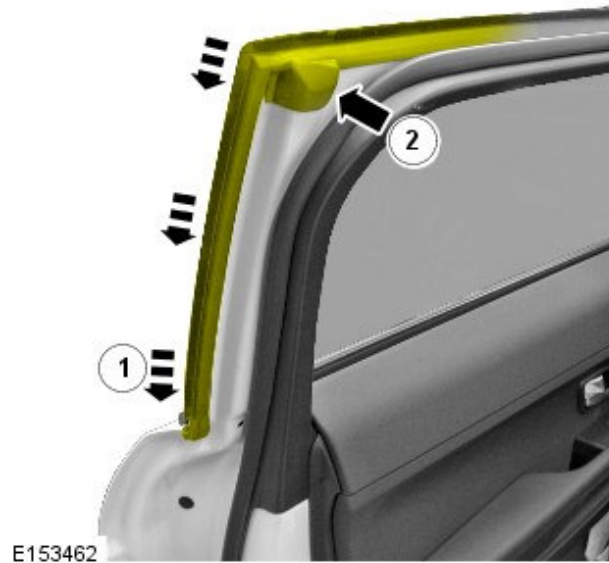
22.  **NOTE: Left door seal shown; right door seal similar.**

 **NOTE: Make sure that the seal is correctly located in the position noted in step 17.**

 **NOTE: Use a suitable soap solution to aid installation of the seal to the retaining clips.**

Install the seal.

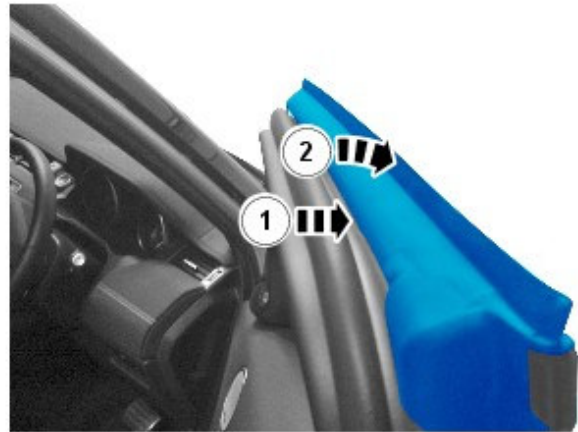
- Carefully slide the door seal downwards to secure the rear edge of the door seal.
- Secure the fir tree clip.



23.  **NOTE: Make sure that the seal is correctly located in the positions noted in step 17.**

Install the door seal.

- Locate the inner edge of the door seal in to the door frame.
- Fully locate the outer edge of the door seal in to the door frame.
- Repeat the above steps along the entire length of the door seal until it is fully located in to the door frame.



E153338

**24.** Install the door seal.

- Reverse steps 18-20.
- Tighten the Torx screws to 1.2 Nm.

**25.** Repeat steps 17-24 to the other front door.