

# Auto Access Seat Check During PDS

Service  
Category General

Section Pre-Delivery Service

Market USA

Toyota Supports  
ASE Certification 

## Applicability

YEAR(S)	MODEL(S)	ADDITIONAL INFORMATION
2014	Sienna	

## Introduction

The 2014 Sienna may be optionally equipped with an Auto Access Seat that can be rotated, raised, and lowered to help the occupant easily enter and exit the vehicle. To ensure that the Auto Access Seat system is operating properly, inspect the Auto Access Seat functions during Pre-Delivery Service (PDS).

### NOTE

Before inspection, be sure to carefully review the Auto Access Seat Owner's Manual.

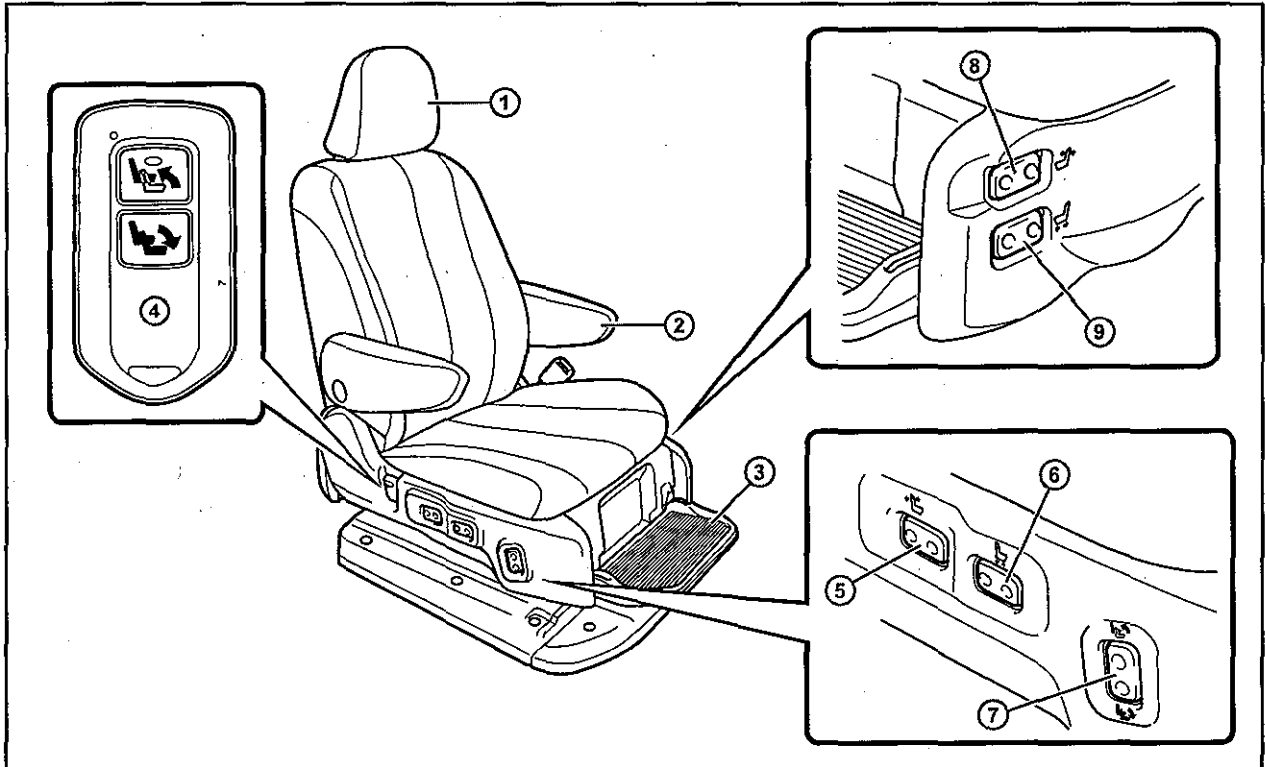
## Warranty Information

OP CODE	DESCRIPTION	TIME	OFFP	T1	T2
N/A	Not Applicable to Warranty	-	-	-	-

# Auto Access Seat Check During PDS

## Inspection Procedure

Figure 1.



1	Head Restraint
2	Armrests
3	Footrest
4	Wireless Remote Control
5	Seatback Angle Adjustment Switch

6	Seat Position Adjustment Switch
7	Seat Raise/Lower Switch
8	Seatback Angle Adjustment Switch
9	Seat Position Adjustment Switch

1. Check the Auto Access Seat operation with the wireless remote control.
  - A. Prepare the vehicle for Auto Access Seat operation.
    - (1) Park the vehicle on a flat surface and leave the engine running.
    - (2) Move the shift lever to Park (P) and set the parking brake.
    - (3) Check that there are no people or items around the Auto Access Seat or passenger side of vehicle.
    - (4) Fully open the right-hand sliding door.
    - (5) Fold the front passenger seatback while pulling the seatback angle lever.

## Auto Access Seat Check During PDS

### Inspection Procedure (Continued)

- (6) Unfasten the seat belt on the Auto Access Seat.
- (7) Adjust the armrest and footrest on the Auto Access Seat to the down-most position.

#### B. Operate the auto access using the Auto Access Seat remote control.

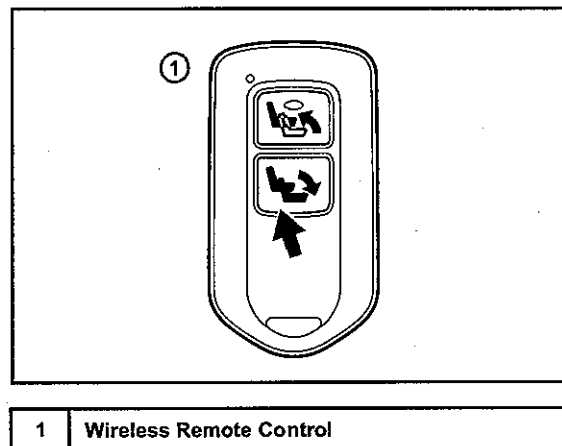
- (1) Remove the wireless remote control from the Auto Access Seat.
- (2) Press and hold the seat lower switch on the remote to rotate and lower the seat.
  1. A single beep will sound and the seat will begin to move automatically. The indicator light on the wireless remote control will also flash.
  2. The seat will rotate while the seatback reclines and moves towards the front of the vehicle.
  3. The seat will then slide out of the vehicle and lower while the seatback raises.

#### NOTE

- The effective range of the wireless remote control is approximately 3.3 ft from the Auto Access Seat.
- The Auto Access Seat will stop if the seat lowering switch is released during operation.

- (3) Release the switch once the seat has fully lowered and has stopped automatically.

Figure 2.



## Auto Access Seat Check During PDS

### Inspection Procedure (Continued)

#### C. Return the Auto Access Seat to the vehicle.

- (1) Press and hold the seat raise switch on the wireless remote control to rotate and raise the seat.
  1. The beep will sound once, and the seat will begin to move automatically while the seatback reclines.
  2. The Auto Access Seat will rotate while the seatback raises and moves towards the rear of the vehicle.

**NOTE**

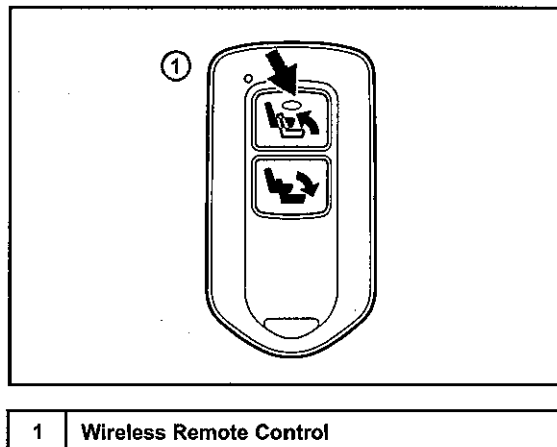
The Auto Access Seat will stop if the seat lowering switch is released during operation.

- (2) Once the seat has rotated fully, a single beep will sound and the seat will stop moving. Release the switch.
- (3) Return the wireless remote control to the Auto Access Seat.
- (4) Verify the Auto Access Seat is stowed properly.

**NOTICE**

If NOT stowed properly, the seat may move unexpectedly.

Figure 3.



#### 2. Check the Auto Access Seat operation with the seat raise/lower switch.

##### A. Prepare the vehicle for Auto Access Seat operation.

- (1) Park the vehicle on a flat surface and leave the engine running.
- (2) Move the shift lever to Park (P) and set the parking brake.
- (3) Check that there are no people or items around the Auto Access Seat or passenger side of the vehicle.
- (4) Fully open the right-hand sliding door.
- (5) Fold the front passenger seatback while pulling the seatback angle lever.

## Auto Access Seat Check During PDS

### Inspection Procedure (Continued)

- (6) Unfasten the seat belt on the Auto Access Seat.
- (7) Adjust the armrest and footrest on the Auto Access Seat to the down-most position.

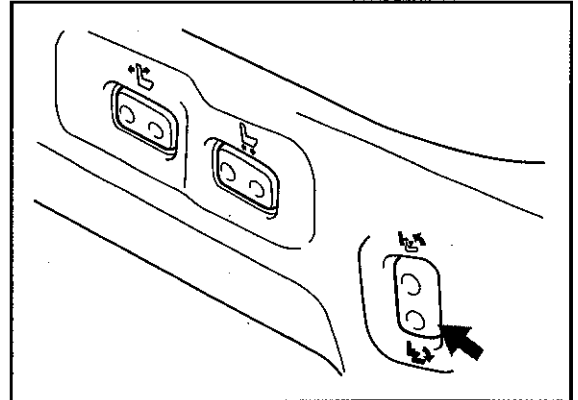
#### B. Operate the Auto Access Seat using the seat lower switch.

Figure 4.

- (1) Press and hold the seat lower switch.

**NOTE**

- The Auto Access Seat operation will be the same as when using the remote control.
- The beep will sound once and the Auto Access Seat will operate.
- The Auto Access Seat will operate while the switch is being pressed. If the switch is released, the seat will stop in that position.



- (2) When the Auto Access Seat stops automatically, release the switch.

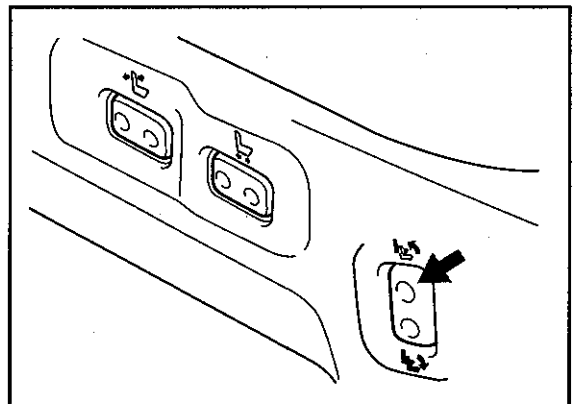
#### C. Return the Auto Access Seat to the vehicle.

- (1) Press and hold the seat raise switch.

Figure 5.

**NOTE**

- The Auto Access Seat operation will be the same as when using the remote control.
- A single beep will sound and the seat will begin to move.
- The Auto Access Seat will operate while the switch is being pressed. If the switch is released, the seat will stop in that position.



## Auto Access Seat Check During PDS

---

### Inspection Procedure (Continued)

- (2) When returning the Auto Access Seat to the vehicle, release the switch after the seat has stopped automatically and the beep has sounded once.
- (3) Verify the Auto Access Seat is stowed properly.

**NOTICE**

The seat must be stowed properly prior to operating the vehicle.