

Glove Compartment Rattle over Rough Roads

Service Category Vehicle Interior

Section Interior Panels/Trim

Market USA

Toyota Supports
 ASE Certification 

Applicability

YEAR(S)	MODEL(S)	ADDITIONAL INFORMATION
2012	Prius C	

Introduction

Some 2012 model year Prius C vehicles may exhibit a ticking noise coming from the glove box when driving over rough roads. The glove compartment has been revised to address this condition.

Production Change Information

This bulletin applies to vehicles produced **BEFORE** the Production Change Effective VINs shown below.

MODEL	PLANT	PRODUCTION CHANGE EFFECTIVE VIN
Prius C	TMEJ Iwate #1	JTDKDTB3#C1017738
	TMEJ Iwate #2	JTDKDTB3#C1516938

Warranty Information

OP CODE	DESCRIPTION	TIME	OFF	T1	T2
550101	R & R Glove Compartment Door Assembly	0.1	55550-52320-C0	91	40

APPLICABLE WARRANTY

- This repair is covered under the Toyota Basic Warranty. This warranty is in effect for 36 months or 36,000 miles, whichever occurs first, from the vehicle's in-service date.
- Warranty application is limited to occurrence of the specified condition described in this bulletin.

Parts Information

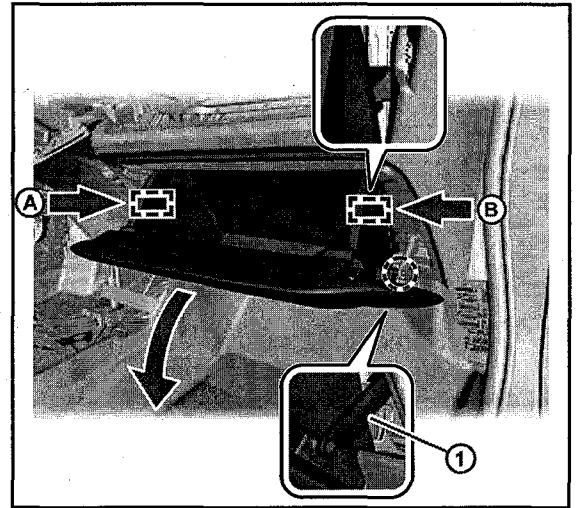
PART NUMBER	PART NAME	QTY
55550-52320-C0	Door Assy, Glove Compartment	1

Glove Compartment Rattle over Rough Roads

Repair Procedure

1. Remove the Glove Compartment Door Assembly.
 - A. Disengage the claw and release the glove compartment door stopper sub-assembly.

Figure 1.



1 | Glove Compartment Door Stopper Sub-assembly

- B. Slightly bend stoppers A and B in the directions indicated by the arrows in the illustration and pull the Glove Compartment Door Assembly until the stoppers are released.

Glove Compartment Rattle over Rough Roads

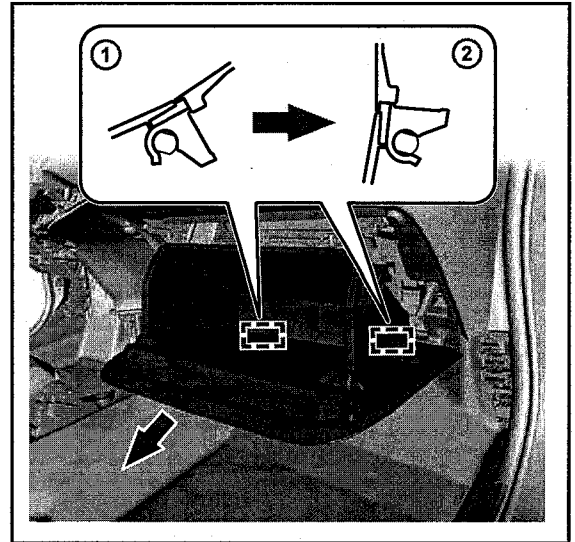
Repair Procedure (Continued)

- C. Open the Glove Compartment Door Assembly to approximately 55° from its closed position. Pull it horizontally in the direction indicated by the arrow to disengage the 2 hinges and remove it.

NOTICE

Pulling the Glove Compartment Door Assembly upward to remove it causes the hinges to deform. Be sure to pull the door assembly horizontally.

Figure 2.



1	Closed
2	Open Approximately 55°

Glove Compartment Rattle over Rough Roads

Repair Procedure (Continued)

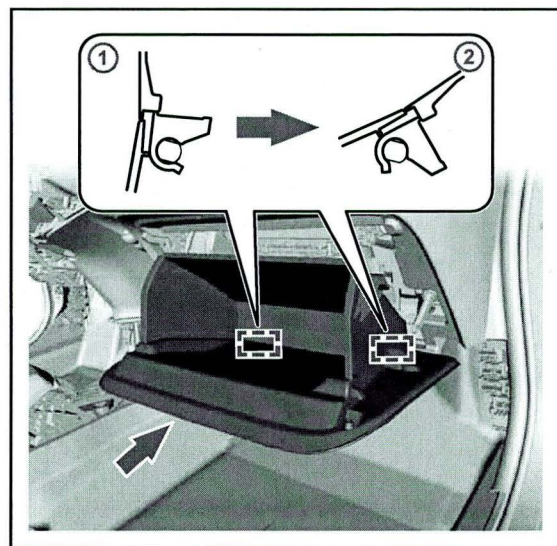
2. Install the NEW Glove Compartment Door Assembly.

A. With the Glove Compartment Door Assembly opened approximately 55° from its closed position, engage the 2 hinges horizontally.

NOTICE

Engaging the hinges from the top will deform the hinges. Be sure to install the Glove Compartment Door Assembly horizontally.

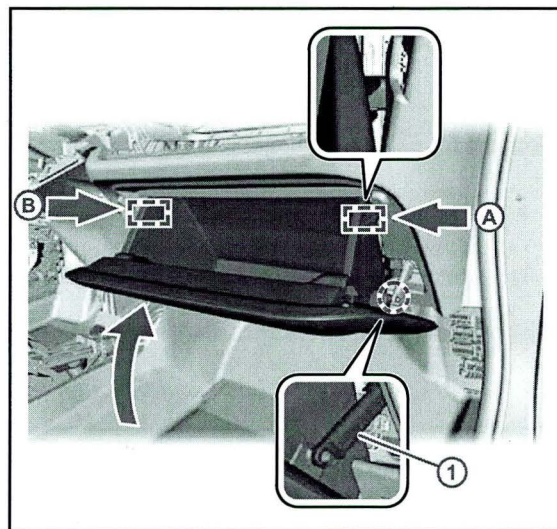
Figure 3.



1	Opened Approximately 55°
2	Closed

B. Slightly bend stoppers A and B in the directions indicated by the arrows in the illustration and engage the stoppers to install the Glove Compartment Door Assembly.

Figure 4.



1	Glove Compartment Door Stopper Sub-assembly
---	---

C. Engage the claw and connect the glove compartment door stopper sub-assembly.