

Damaged Sliding Roof Sunshade

Service Category Vehicle Interior

Section Interior Panels/Trim

Market USA

Toyota Supports
 ASE Certification 

Applicability

YEAR(S)	MODEL(S)	ADDITIONAL INFORMATION
2012	Camry, Camry HV	

Introduction

Some 2012 model year Camry and Camry HV vehicles may exhibit a wear mark down the center of the sliding roof sunshade caused by repeated opening and closing. An updated sunshade is available to address this condition. Follow this bulletin to replace the sunshade.

Figure 1.



Warranty Information

OP CODE	DESCRIPTION	TIME	OFFP	T1	T2
614111	Sliding Roof Panel Sub-assembly	3.5	63306-06070	67	57

APPLICABLE WARRANTY

- This repair is covered under the Toyota Basic Warranty. This warranty is in effect for 36 months or 36,000 miles, whichever occurs first, from the vehicle's in-service date.
- Warranty application is limited to occurrence of the specified condition described in this bulletin.

Damaged Sliding Roof Sunshade

Parts Information

COLOR	PREVIOUS PART NUMBER	CURRENT PART NUMBER	PART NAME	QTY
Ivory	63306-06070-A4	63306-06071-A4	Trim Sub-assy, Sunshade	1
Gray	63306-06070-B4	63306-06071-B4		

Repair Procedure

1. Remove the sliding roof housing.

Refer to the Technical Information System (TIS), applicable model and model year Repair Manual:

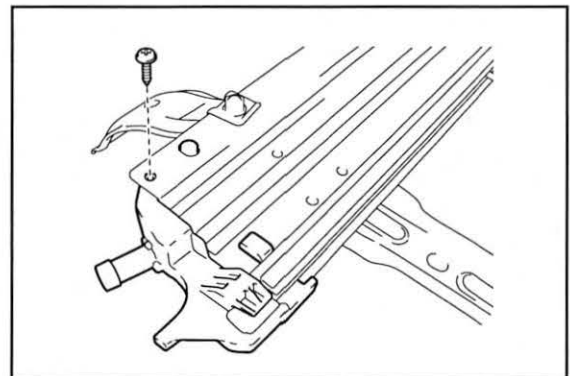
- 2012 Camry / Camry HV:
Vehicle Exterior – Sliding Roof / Convertible – “Sliding Roof / Convertible: Sliding Roof Housing: Removal”

2. Remove the sunshade trim sub-assembly.

- A. Remove the screw and the sliding roof piece sub-assembly LH.

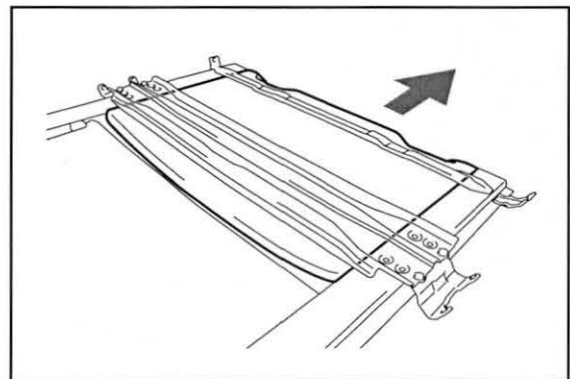
NOTE
Use the same procedure for the RH side.

Figure 2.



- B. Slide and remove the sunshade trim sub-assembly.

Figure 3.

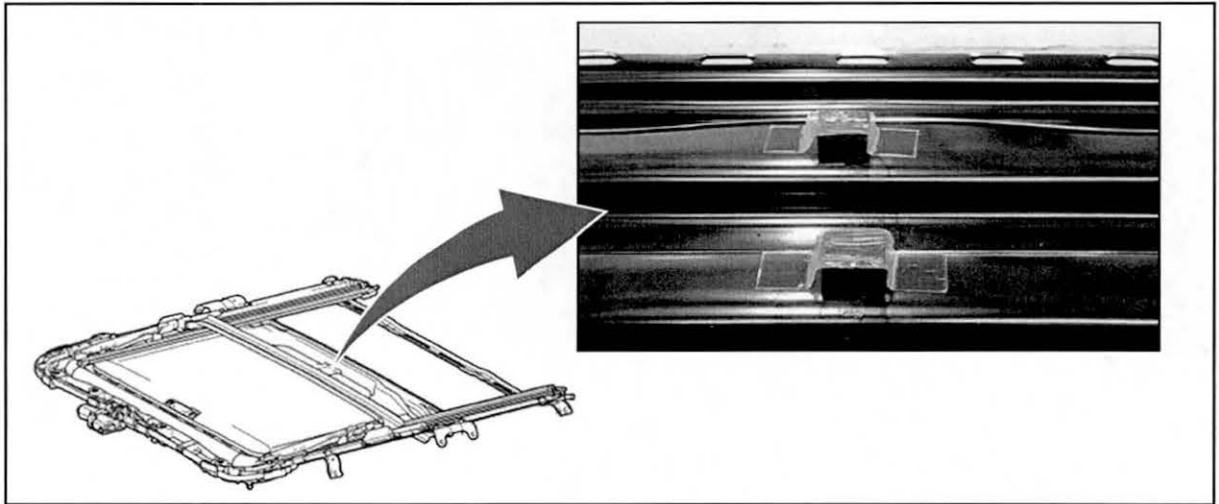


Damaged Sliding Roof Sunshade

Repair Procedure (Continued)

3. Remove and discard the 2 foam blocks from the sliding roof reinforcements.

Figure 4.

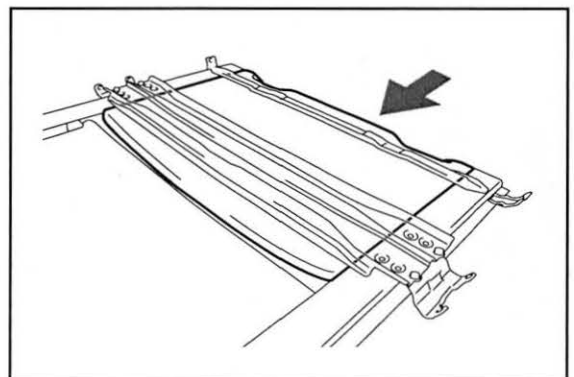


NOTE

Ensure **ALL** adhesive material has been removed.

4. Install the new sunshade trim sub-assembly.
 - A. Insert the sunshade trim sub-assembly into the sliding roof housing sub-assembly.

Figure 5.



Damaged Sliding Roof Sunshade

Repair Procedure (Continued)

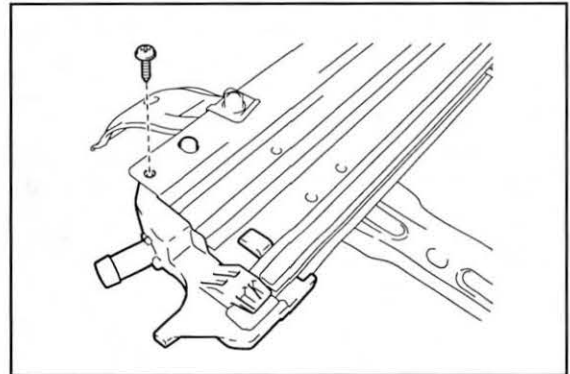
- B. Install the sliding roof piece sub-assembly LH with the screw.

Torque: 2.0 N*m (20 kgf*cm, 18 in*lbf)

NOTE

Use the same procedure for the RH side.

Figure 6.



5. Install the sliding roof housing assembly.

Refer to TIS, applicable model and model year Repair Manual:

- 2012 Camry / Camry HV:
Vehicle Exterior – Sliding Roof / Convertible – “Sliding Roof / Convertible: Sliding Roof Housing: Installation”

6. Confirm proper operation of the sliding roof sunshade.