

Back Door Garnish Loose or Broken

Service Category Vehicle Exterior

Section Exterior Panels/Trim

Market USA

Scion Supports ASE Certification 

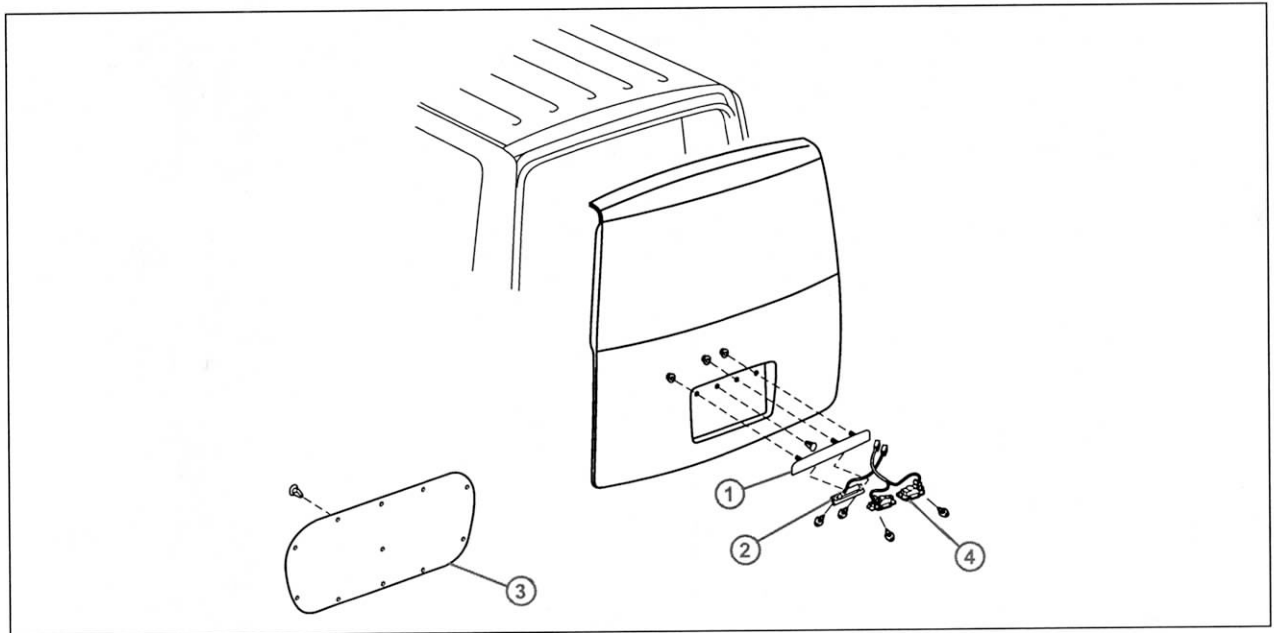
Applicability

YEAR(S)	MODEL(S)	ADDITIONAL INFORMATION
2004 – 2006	xB	

Introduction

Some 2004 – 2006 model year xB vehicles may exhibit a condition where the back door garnish becomes loose, and in some cases continued usage of the loose garnish may result in breakage. Please follow the procedure contained in this bulletin, which supplements the Repair Manual, to replace the back door garnish if it is loose or broken.

Figure 1.



1	Back Door Opener Switch Assembly
2	Back Door Outside Garnish

3	Back Door Trim Board
4	Rear Light Set

Back Door Garnish Loose or Broken

Production Change Information

This bulletin applies to vehicles produced **BEFORE** the Production Change Effective VIN shown below.

MODEL	DRIVETRAIN	PLANT	PRODUCTION CHANGE EFFECTIVE VIN
xB	FF	Takaoka, Central	JTLKT324#64093921

Warranty Information

OP CODE	DESCRIPTION	TIME	OFP	T1	T2
N/A	Not Applicable to Warranty	-	-	-	-

Parts Information

PREVIOUS PART NUMBER	CURRENT PART NUMBER	PART NAME	QTY
76811-52120-##	76811-52122-##	Garnish, Back Door, Outside	1
90467-10077	Same	Clip	1
90562-04007	Same	Ring	3
76821-52030	Same	Protector, Back Door Garnish	1
08231-00813	Same	Kit, Wind Noise	1*

* One sheet in the Wind Noise Kit will service approximately 60 vehicles.

Required Tools & Equipment

SPECIAL SERVICE TOOLS (SST)	PART NUMBER	QTY
Plastic Pry Tool Set*	<u>00002-06000-01</u>	1

* Essential SST.

<p>NOTE Additional SSTs may be ordered by calling 1-800-933-8335.</p>

Back Door Garnish Loose or Broken

Repair Procedure

NOTICE

Do **NOT** use power tools for this repair procedure.

1. Disconnect cable from the negative (-) battery terminal.

CAUTION

Wait at least 90 seconds after disconnecting the cable from the negative (-) battery terminal to prevent airbag and seat belt pretensioner activation.

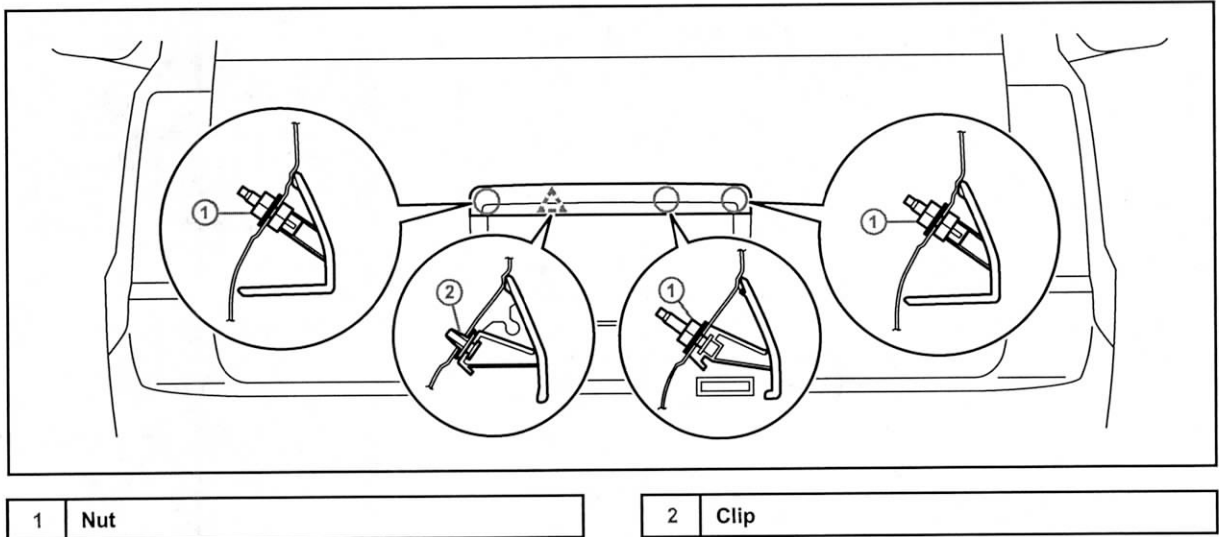
2. Remove the back door trim board.

Using a plastic pry tool, remove the 11 clips and trim board.

3. Remove the back door outside garnish.

Remove the 3 nuts and detach the clip, then remove the garnish.

Figure 2.

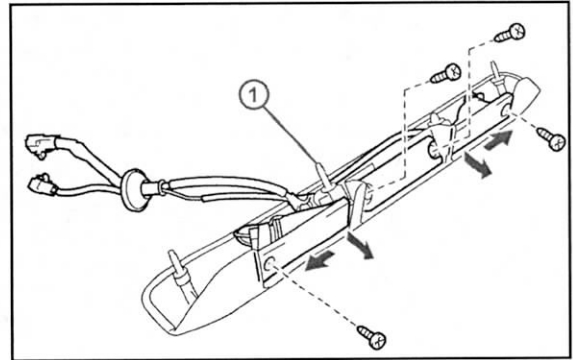


Back Door Garnish Loose or Broken

Repair Procedure (Continued)

4. Remove the rear lamp set, switch, and mounting stud.
 - A. Remove the 2 lamp screws (silver) and the 2 switch screws (black).
 - B. Remove the mounting stud.
 - C. Set ALL removed parts aside for installation into the NEW garnish later in this repair.

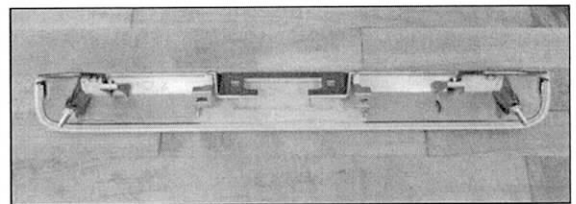
Figure 3.



1 Mounting Stud

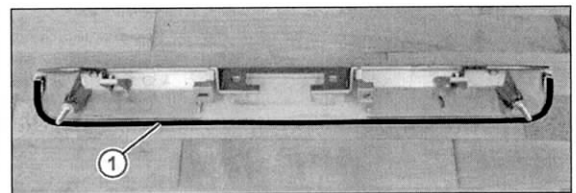
5. Assemble the NEW back door garnish.
 - A. Lay the NEW back door garnish (P/N 76811-52122-##) down on a clean protected work surface to prevent scratching of the painted surface.

Figure 4.



- B. Remove the protective backing and install the foam strip (P/N 76821-52030, Back Door Garnish Protector) around the outer portion of the garnish as shown.

Figure 5.



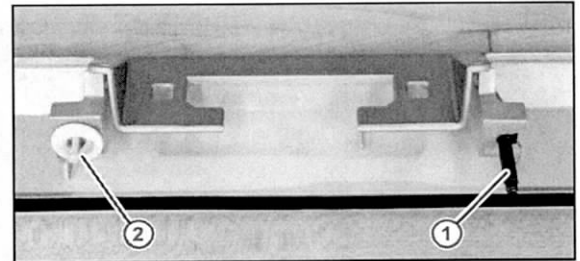
1 Foam Strip

Back Door Garnish Loose or Broken

Repair Procedure (Continued)

- C. Transfer the mounting stud that was removed in step 4B to the NEW garnish.

Figure 6.

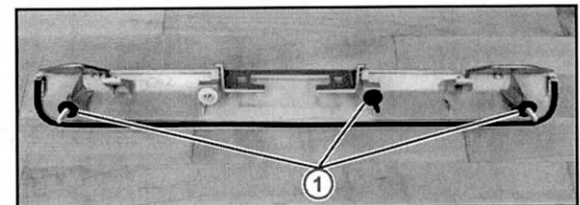


1	Mounting Stud
2	Clip

- D. Install the new mounting clip (P/N 90467-10077, Clip), as shown in Figure 6.

- E. Install the 3 foam washers (P/N 90562-04007, Ring) onto each of the 3 mounting studs.

Figure 7.



1	Foam Washers
---	--------------

- F. Once the foam washers have been installed, a strip of foam must be cut and placed on the NEW garnish to isolate the rear lamp wire harness.

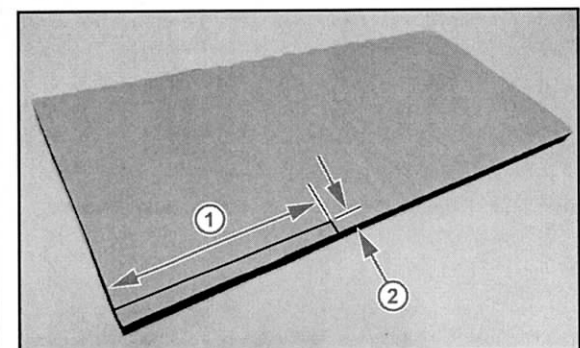
Cut a foam strip from the Wind Noise Kit (P/N 08231-00813).

Foam Strip Dimensions: 95 mm x 7 mm (3.74 in. x 0.28 in.)

HINT

Cut foam from sheet as shown to get the most strips from the sheet.

Figure 8.



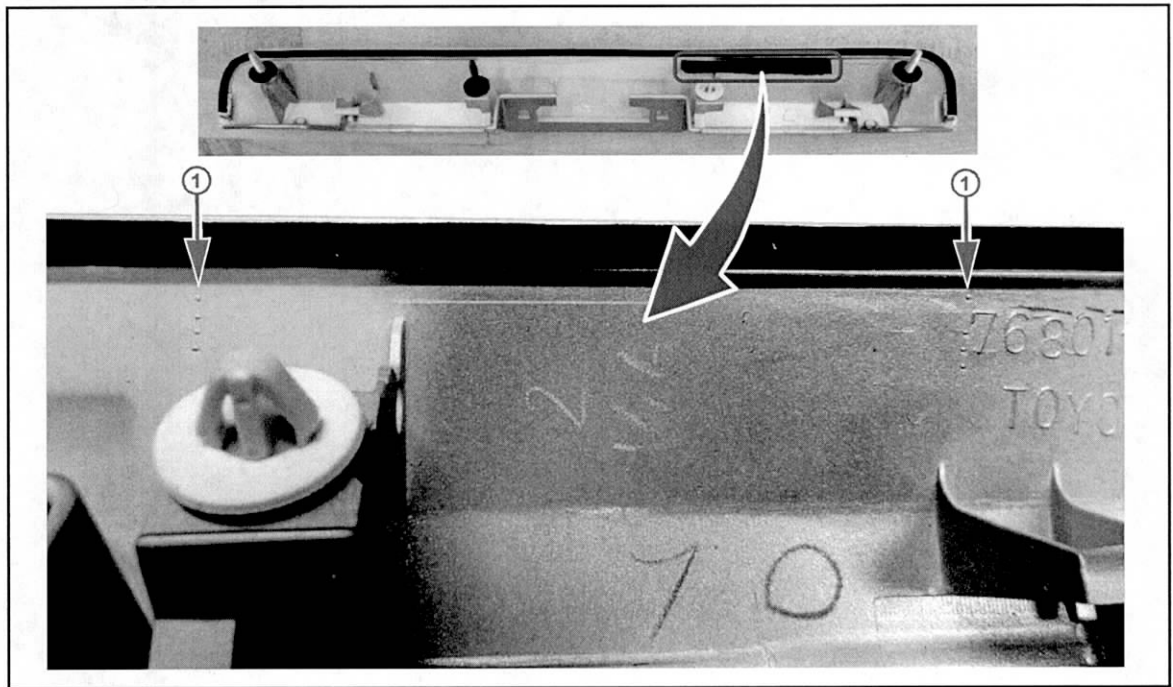
1	95 mm
2	7 mm

Back Door Garnish Loose or Broken

Repair Procedure (Continued)

G. Place foam strip between the dotted alignment marks on the NEW garnish.

Figure 9.



1	Dotted Alignment Marks
---	------------------------

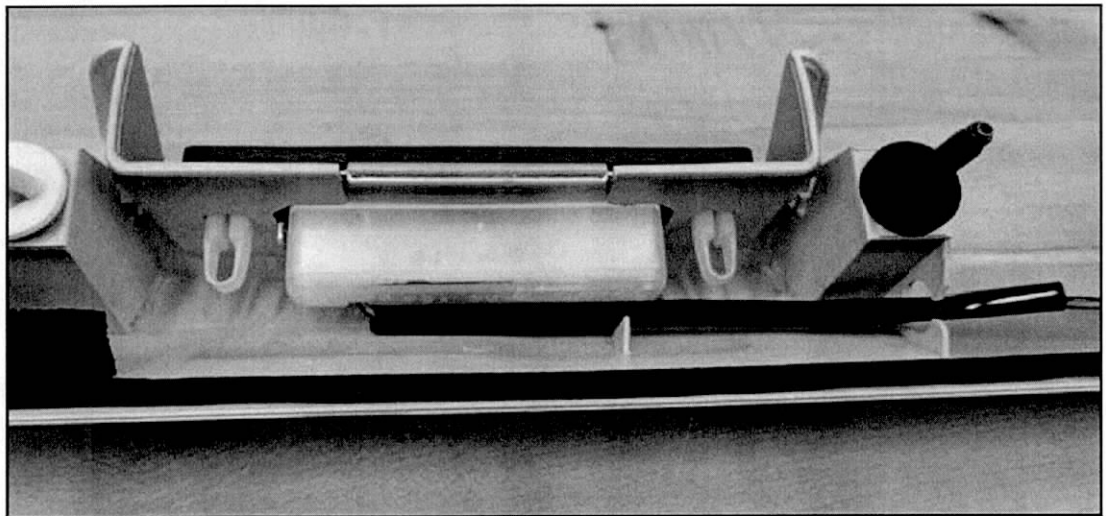
Back Door Garnish Loose or Broken

Repair Procedure (Continued)

H. Transfer back door opener switch assembly over to the NEW garnish.

- (1) Install switch, and fasten with the 2 black screws previously removed from the OLD garnish in step 4A.
- (2) Be sure the black wire harness protector is positioned as shown to protect the wires.

Figure 10.

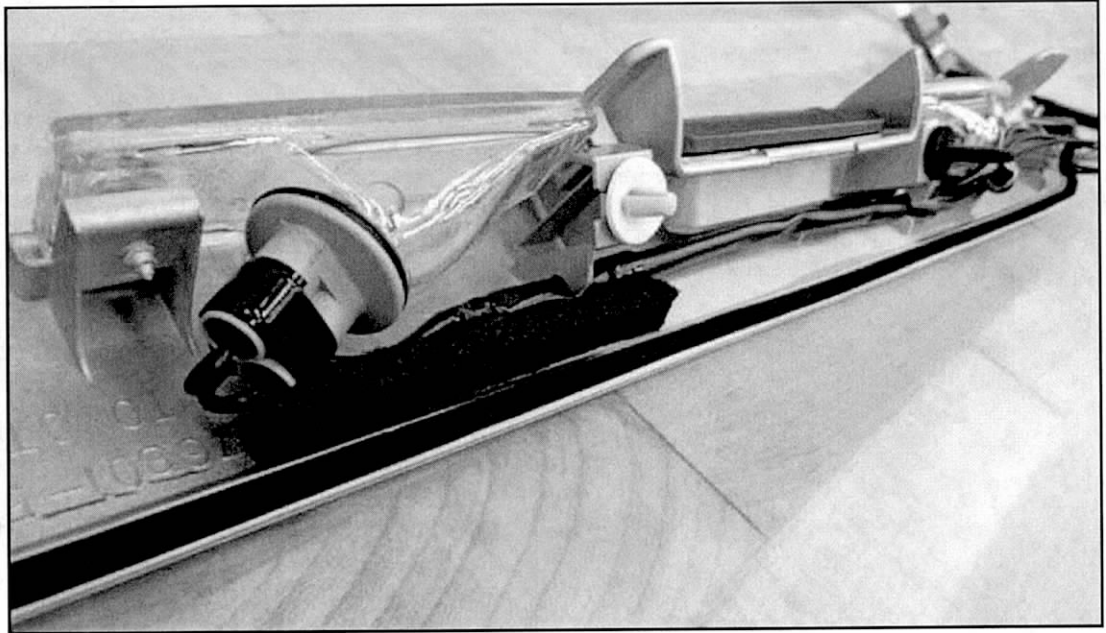


Back Door Garnish Loose or Broken

Repair Procedure (Continued)

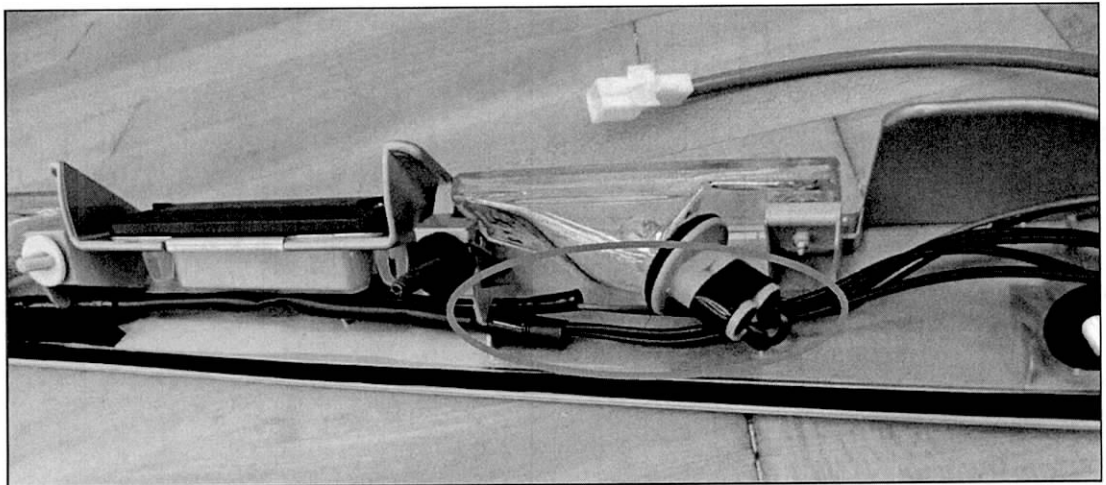
- I. Transfer the rear lamp set to the NEW garnish. Use the silver screws previously removed from the OLD garnish in step 4A.
 - (1) Route wire harness as shown, and make sure the wire harness is secured behind the previously installed foam strip.

Figure 11.



- (2) Secure the switch wire harness under the rear lamp set wire harness, and route both wire harnesses under the light bulb housing as circled below.

Figure 12.



Back Door Garnish Loose or Broken

Repair Procedure (Continued)

6. Insert the wire harness grommet into the rear hatch door and ensure it is seated properly to prevent leaks. Install the NEW back door garnish on the rear hatch door using the 3 previously removed nuts.

Torque: 3 N*m (30.6 kgf*cm, 26.6 in*lbf)

NOTICE

Do NOT use power tools during installation.

7. Reassemble vehicle in reverse order of disassembly steps 1 – 3.
8. Confirm proper operation of the rear lamp set and back door opener switch.