



REFERENCE NO: RF- 12-04R1

DATE: May 24, 2013

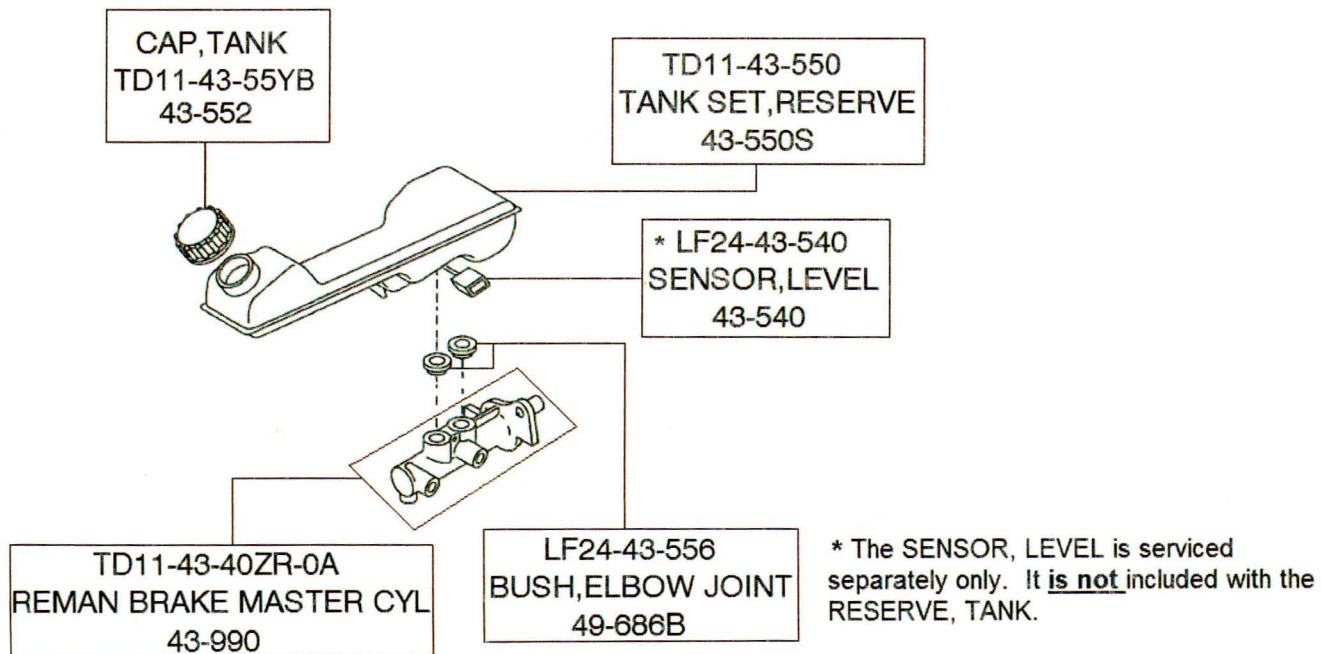
SUBJECT: 2007> CX-9 – MASTER CYLINDER COMPONENTS

This Parts Flash replaces Parts Flash RF- 12-04R released June 18, 2012. It includes the correct reserve tank part number.

Components for the 2007> CX-9 Master Cylinder (that were previously only serviced in the Master Cylinder Assembly) have been released for service. Please see below for part numbers and descriptions:

TD11-43-55YB	(D-Code: 43-552)	CAP,TANK
TD11-43-550	(D-Code: 43-550S)	TANK SET,RESERVE
LF24-43-540	(D-Code: 43-540)	SENSOR, LEVEL
LF24-43-556	(D-Code: 43-686B)	BUSH, ELBOW JOINT

Note: The remanufactured Master Cylinder (TD11-43-40ZR-0A) DOES NOT include any of the above mentioned parts.





REFERENCE NO: RF-13-05R

DATE: May 24, 2013

SUBJECT: 2014→ CX-5 ACCESSORY SATELLITE RADIO INSTALLATION – GROUND POINT

This Parts Flash replaces Parts Flash RF-13-05 dated April 26, 2013.

Due to a running change, the Installation Instructions for the CX-5 accessory satellite radio (accessory part number KF69-V6-029) refer to a ground point that may not exist on 2014 and newer models.

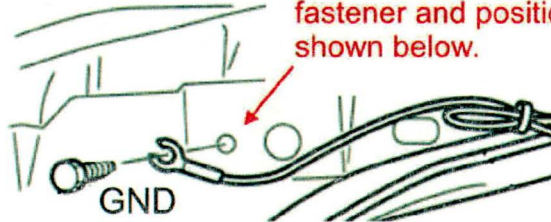
If the ground point is not available during installation on 2014 or newer CX-5 models, follow the note below. This note was also added to instructions available on MXConnect at the link below:

[https://portal.mazdausa.com/dealershome/service_parts/accy_website/CX-5/Sat_Radio_\(CX5\).pdf](https://portal.mazdausa.com/dealershome/service_parts/accy_website/CX-5/Sat_Radio_(CX5).pdf)

NOTE ADDED TO PAGE 24, SECTION 7 "INSTALLING THE HARNESS"


↑
Vehicle front

NOTE: Some 2014 models will not have this hole or fastener. In such cases, locate alternate GND fastener and position as shown below.

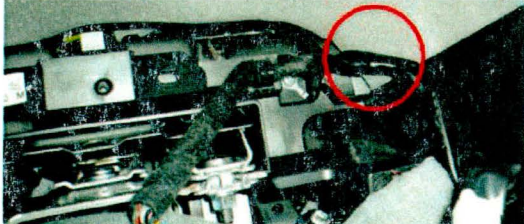


GND

Loosen screw shown and slide satellite radio harness GND spade under screw head. Refasten screw to full engagement.



Secure satellite radio harness to existing vehicle harness with tape prior to dash reassembly.



Tony Lawrence

From: Chris Ciz
Sent: Friday, May 24, 2013 9:03 AM
Subject: Mazda Parts Flash

Parts Flash Release – May 24, 2013

For a printable PDF file from MStore, please click on the link below each title

Parts Flash Index

http://www.mstore2000.com/PDF_Files/PartsFlashIndex05-24-13.pdf

The following Parts Flashes are revised:

2007> CX-9 – Master Cylinder Components

http://www.mstore2000.com/PDF_Files/12-04R1.pdf

2014> CX-5 – Accessory Satellite Radio Installation - Ground Point

http://www.mstore2000.com/PDF_Files/13-05R.pdf