

**Tony Lawrence**

---

**From:** Chris Ciz  
**Sent:** Thursday, December 12, 2013 12:36 PM  
**To:** All Dirs All Rgns - PT; All Dirs All Rgns - SR  
**Subject:** MAZDA DEALER NOTICE - SERVICE BULLETIN RELEASE

**SERVICE BULLETIN RELEASE - 12/12/2013**

2013 INDEX: [http://www.mstore2000.com/PDF\\_Files/index12-12-13.pdf](http://www.mstore2000.com/PDF_Files/index12-12-13.pdf)

The following Service Bulletin has just been issued.

- For latest MS3 postings, click here: <https://portal.mazdausa.com/m173/service/esi/MazdaServiceShop>

- For printable PDF files from MStore, click on the link below each TSB title:

\* If the links do not automatically take you directly to the document, cut and paste the link into your internet browser address window and press enter.

**NEW BULLETINS**

**05-007/13 - 2014 MAZDA3 (M/T) - HARD TO SHIFT INTO GEARS**

[http://www.mstore2000.com/PDF\\_Files/05-007-13-2860.pdf](http://www.mstore2000.com/PDF_Files/05-007-13-2860.pdf)

**05-008/13 - MULTI-MODEL (WITH SKYACTIV-DRIVE A/T) - VEHICLE SPEED DOES NOT INCREASE WITH ENGINE SPEED AND ATX DOES NOT SHIFT UP OR DOWN**

[http://www.mstore2000.com/PDF\\_Files/05-008-13-2861.pdf](http://www.mstore2000.com/PDF_Files/05-008-13-2861.pdf)

- Please distribute this information to all parts and service personnel.
- If you no longer wish to receive Mazda bulletins, please contact the IT Administrator at your dealership and ask them to remove your email address from under the EMDCS application.

© 2013 Mazda Motor of America, Inc.

<b>Subject:</b>  HARD TO SHIFT INTO GEARS	<b>Bulletin No:</b> 05-007/13
	<b>Last Issued:</b> 12/12/2013

## APPLICABLE MODEL(S)/VINS

2014 Mazda3 (M/T) with VINs lower than JM1BM\*\*\*\*\*144465 (produced before November 11, 2013)

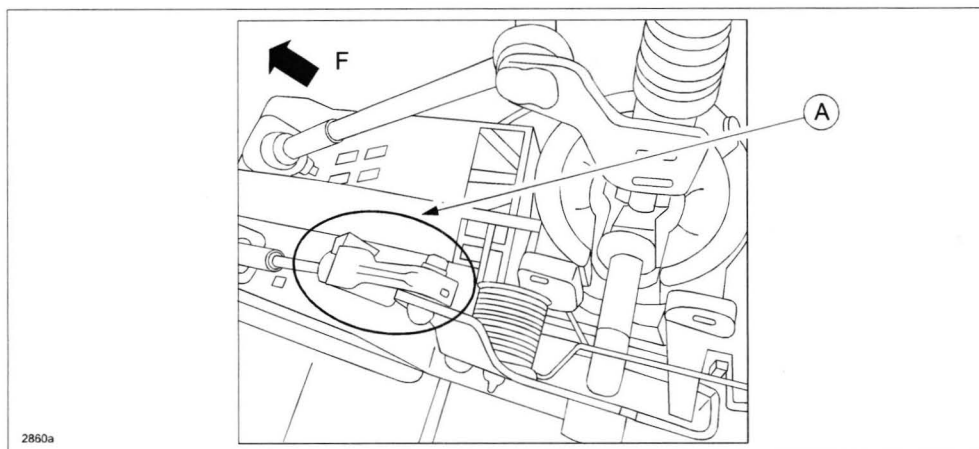
## DESCRIPTION

Some vehicles may exhibit hard shifting into gears, especially into 1st gear. This is caused by the shift control cable of the shift lever being misaligned from the center of neutral position during production. Procedures to adjust the control cable during production have now been improved.

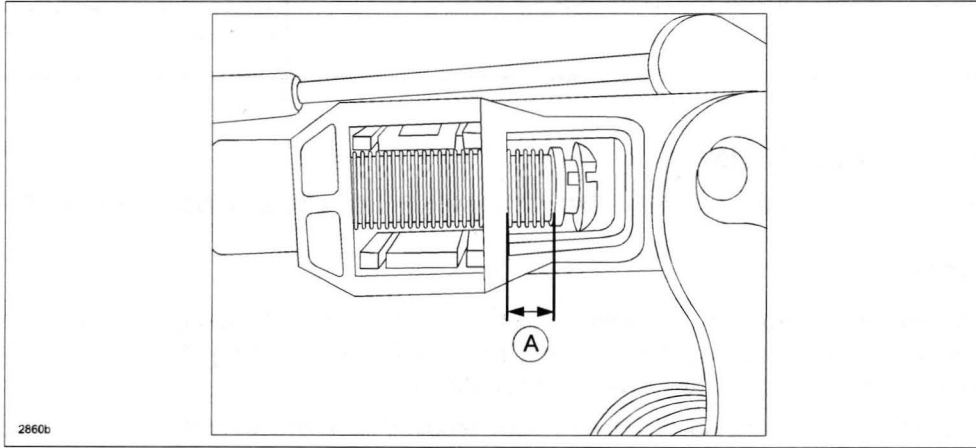
Customers having this concern should have their vehicle repaired using the following repair procedure.

## REPAIR PROCEDURE

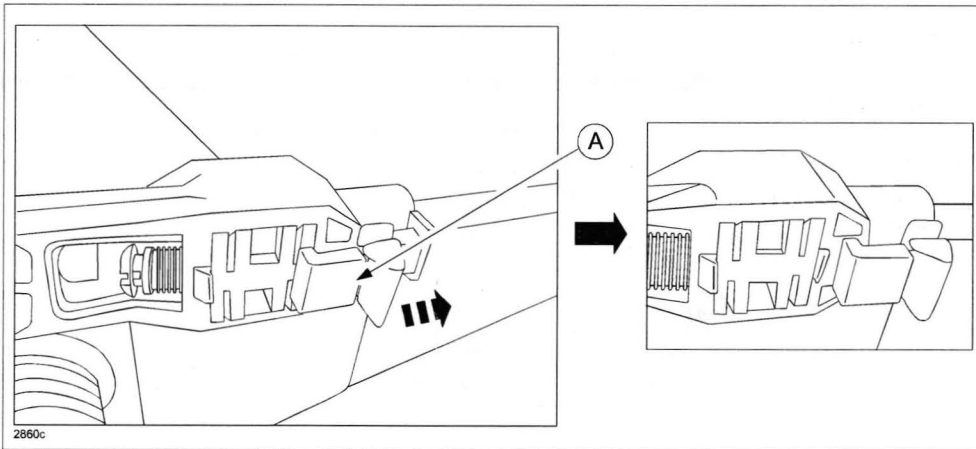
1. Verify customer concern.
2. Remove the shift panel. Refer to MS3 online instructions or Workshop manual (section 09-17 SHIFT PANEL REMOVAL/INSTALLATION).
3. Install the shift lever knob and shift into 4th gear.
4. Find the adjuster for the control cable (A).  
F: Front of vehicle



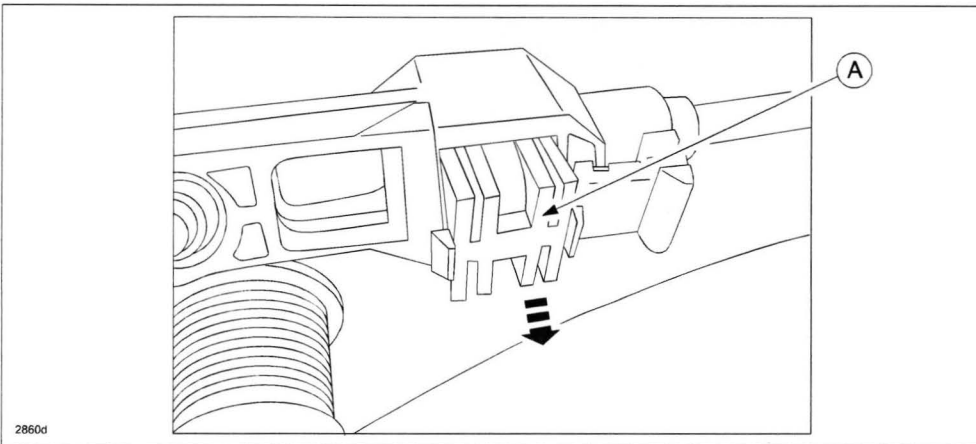
5. Check the current adjustment condition of the control cable by counting the number of projecting thread turns (A).



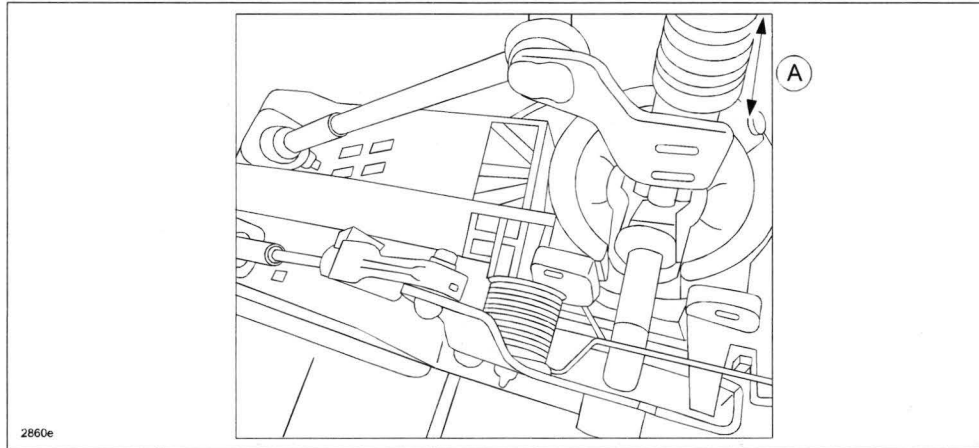
6. Release the safety lock (A) by sliding it to the direction of the arrow shown.



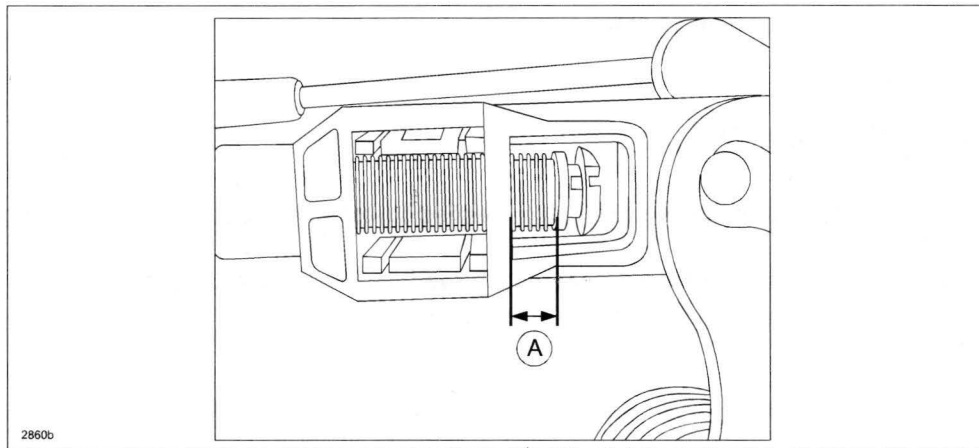
7. Release the locking piece (A) by pushing it from the back.



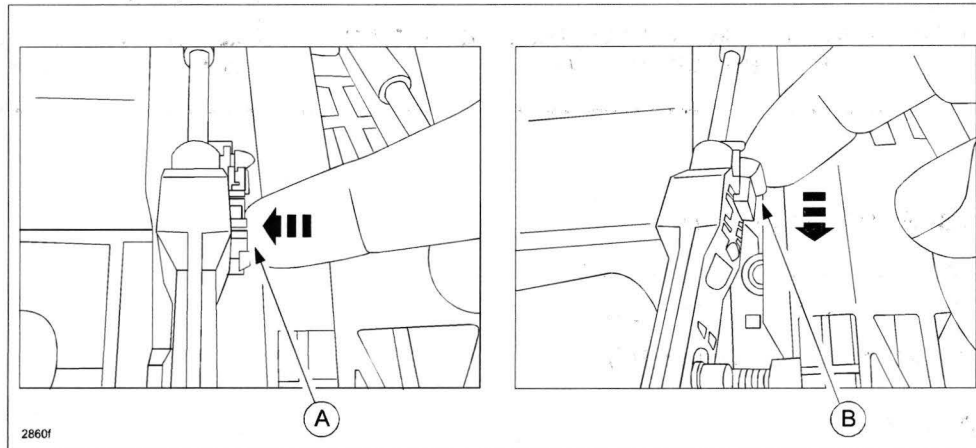
8. With the shift lever engaged in 4th gear, move (shake) the shift lever to right and left 5 times (A), then wait 30 seconds.



9. Check that the cable adjustment condition (number of thread turns (A)) has changed from the previous check.



10. Reinstall the locking piece (A), then slide the safety lock (B) to the lock position.



11. Verify that shifting is smooth into all gears, especially R, 1st gear, and 2nd gear.

- If not OK, repeat from step 6.
- If OK, go to next step.

12. Install removed parts in the reverse order.

13. Verify repair.

## WARRANTY INFORMATION

### NOTE:

- This warranty information applies only to verified customer complaints on vehicles eligible for warranty repair.
- This repair will be covered under Mazda's Powertrain Limited Warranty term.
- Additional diagnostic time cannot be claimed for this repair.

Warranty Type	A
Symptom Code	24
Damage Code	9H
Part Number Main Cause	****-46-500 (Shift Control Cable)
Quantity	0
Operation Number / Labor Hours:	XXK1SARX / 0.2 Hrs. (w/out Commander) XXK1SBRX / 0.3 Hrs. (w/ Commander)