

 HYUNDAI NEW THINKING. NEW POSSIBILITIES.	GROUP ELECTRICAL	NUMBER 13-EE-002
	DATE JUNE 2013	MODEL(S) Santa Fe (CM)
Technical Service Bulletin		
SUBJECT: OVERHEAD CONSOLE LAMP REPAIR		

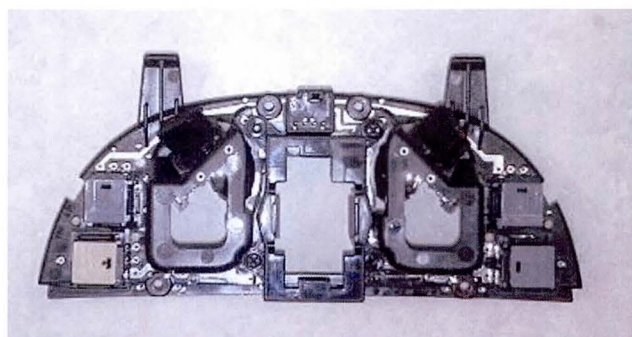
Description:

This bulletin provides the procedure to repair overhead console lamps in some 2010~2012MY Santa Fe vehicles. Do not replace the overhead console lamp assembly when the condition below exists. Instead, follow the repair procedure and replace the related part.

Symptoms:

- Overhead lamps may not turn on when doors are open.

When this condition is confirmed, replace the overhead console lamp circuit board as described in this bulletin.



Circuit Board



Overhead console lamp assembly

Applicable Vehicles:

- 2010-2012MY Santa Fe (CM) 2.4 / 3.5L

Parts Information:

Model	Production Date	Part Name	Interior Color	Part Number	Quantity
Santa Fe (CM) W/ Sunroof	July 7, 2008 – October 31, 2009	Circuit Board	Beige	92807-0W700 J9	1
			Gray	92807-0W700 J4	
	October 5, 2009 – August 30, 2010		Beige	92807-0W700 SH	
			Gray	92807-0W700 TX	

Circulate To: General Manager, Service Manager, Parts Manager, Warranty Manager, Service Advisors, Technicians, Body Shop Manager, Fleet Repair

SUBJECT:**OVERHEAD CONSOLE LAMP REPAIR**

Santa Fe (CM) W/O Sunroof	July 7, 2008 – October 31, 2009	Circuit Board	Beige	92807-0W600 J9	1
			Gray	92807-0W600 J4	
	October 5, 2009 – August 30, 2010		Beige	92807-0W600 SH	
	Gray		92807-0W600 TX		

Warranty Information:

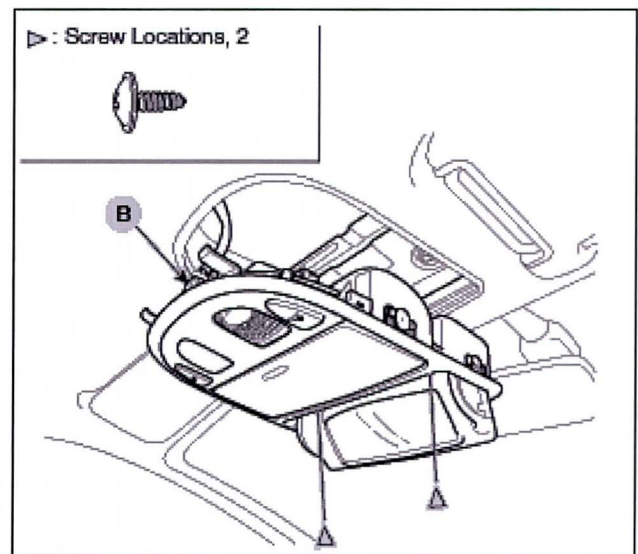
Model	Op Code	Operation	Op Time	Causal Part #	Nature Code	Cause Code
CM	92807R00	Overhead Console Circuit Board Replacement	0.3	See parts information	N94	C15

Tools Required:

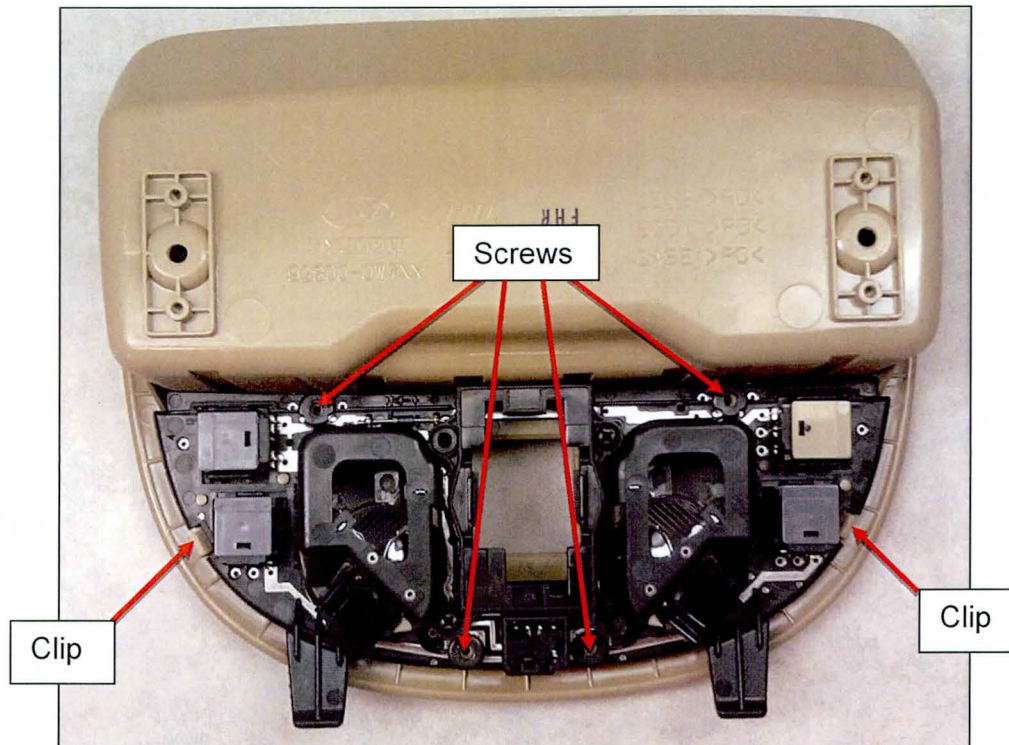
- Philips-head screwdriver
- Trim removal tool (or suitable prying tool)

Service Procedure:

1. Flip open the sunglasses holder and remove the 2 screws. Slide overhead console towards the windshield and disconnect connector (B).



2. Remove the 4 screws holding the circuit board to the overhead console. Unclip 2 plastic retaining clips using a trim removal tool and remove the circuit board from the overhead console.



3. Snap new circuit board assembly into the overhead console.
4. Tighten 4 screws securing the circuit board to the overhead console.
5. Install overhead console into vehicle by following reverse of removal.
6. Check for proper operation of sunglasses holder, map lamp and sunroof (if equipped).