

© 2013 Mazda Motor of America, Inc.

<b>Subject:</b> <b>REAR DIFFERENTIAL VENT CAP FLUID LEAK IN COLD AMBIENT TEMPERATURES</b>	<b>Bulletin No:</b> 03-003/13
	<b>Last Issued:</b> 10/31/2013

## APPLICABLE MODEL(S)/VINS

2011 Tribute equipped with AWD

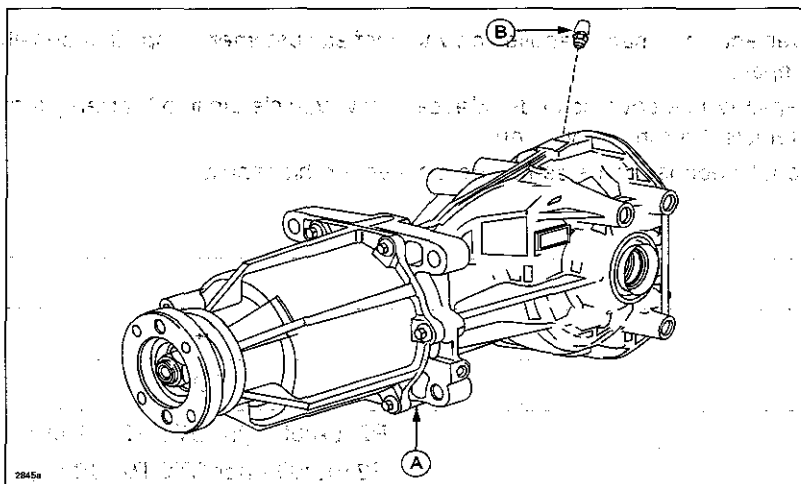
## DESCRIPTION

Some vehicles may exhibit an occasional fluid leak coming from the rear differential vent cap in temperatures below 32 degrees Fahrenheit (0 degrees Celsius) under certain conditions.

Customers having this concern should have their vehicle repaired using the following repair procedure.

## REPAIR PROCEDURE

1. Inspect the rear drive unit (A) for oil leaking from the vent cap (B) located on the rear cover.



2. Is the rear differential vent cap leaking fluid?
  - a. No - This bulletin does not apply.
  - b. Yes - Proceed to step 3.

**NOTE:** A light residue found around the cap is normal.

3. Remove and discard the vent from the rear drive unit cover.
4. Install new vent.
5. Clean off any remaining residue.
6. Verify repair.

Page 1 of 2

**CONSUMER NOTICE:** The information and instructions in this bulletin are intended for use by skilled technicians. Mazda technicians utilize the proper tools/equipment and take training to correctly and safely maintain Mazda vehicles. These instructions should not be performed by "do-it-yourselfers." Customers should not assume this bulletin applies to their vehicle or that their vehicle will develop the described concern. To determine if the information applies, customers should contact their nearest authorized Mazda dealership. Mazda North American Operations reserves the right to alter the specifications and contents of this bulletin without obligation or advance notice. All rights reserved. No part of this bulletin may be reproduced in any form or by any means, electronic or mechanical—including photocopying and recording and the use of any kind of information storage and retrieval system—without permission in writing.

<b>Bulletin No:</b> 03-003/13 © 2013 Mazda Motor of America, Inc.	<b>Last issued:</b> 10/31/2013
--	--------------------------------

**PART(S) INFORMATION**

Part Number	Description	Qty.
ZZC1-17-530	Vent Valve Assembly	1

**WARRANTY INFORMATION**

**NOTE:**

- This warranty information applies only to verified customer complaints on vehicles eligible for warranty repair.
- This repair will be covered under Mazda's New Vehicle Powertrain Limited Warranty term.
- Additional diagnostic time cannot be claimed for this repair.

Warranty Type	A
Symptom Code	76
Damage Code	91
Part Number Main Cause	ZZC1-17-530
Quantity	1
Operation Number / Labor Hours:	YY755XRX / 0.3 Hrs.