


VOLVO CARS SERVICE AND PARTS BUSINESS	
--	---

Technical Journal

TITLE: Parking assist camera, PAC, flickering video signal in display
--

REF NO: TJ 27989	ISSUING DEPARTMENT: Technical Service	CAR MARKET: United States and Canada
PARTNER: 3 US 7510 Volvo Cars North America		ISSUE DATE: YEAR MONTH DAY 2013 12 19
FUNC GROUP: 3871	FUNC DESC: parking assistance	Page 1 of 20

“Right first time in Time”

Attachment

File Name	File Size
TJ 27989.WMV	0.6697 MB
TJI-27989-1_XC60.pdf	2.2254 MB
TJI-27989-2_S60.pdf	1.1469 MB

Vehicle Type

Type	Eng	Eng Desc	Sales	Body	Gear	Steer	Model Year	Plant	Chassis range	Struc Week Range
134							2011-2014		0000001-0299587	201020-201345
156							2010-2014		0084237-0559322	200946-201345

CSC Customer Symptom Codes

Code	Description
2X	Park assist camera/Does not work

DTC Diagnostic Trouble Codes

Rows beginning with * are modified

Note! If using a printed copy of this Technical Journal, first check for the latest online version.

Text

* Added Attachments and labor op code

**DESCRIPTION:**

It may happen that the video signal in the media display is flickering while using the parking assist camera (PAC).

The problem may be related to the cable harness to the PAC unit and possible interference from other wires in the same cable harness. Installing a new cable harness besides the factory fitted cable harness will eliminate the symptom.

PRODUCT MODIFICATION:

New improved cable harness, P/N 31414655 is now available as spare part.

MATERIAL RETURN:

Not Required

VEHICLE REPORT:

Only if there is a repeat repair.

Use concern area "Vehicle Report" and sub concern area "Support not Needed".

SERVICE:

* Install the accessory cable harness PN 31414655 to the PAC unit according to the attached TJ Instructions

VOLVO STANDARD TIMES GUIDE (VSTG) INFO:

Operation number 98508-2 - Wiring park assist camera (PAC) rear replace acc. to TJ27989

- S60 - 2.2hrs
 - XC60 - 2.7hrs
- Labor times are valid at the time of release and are subject to change.

To view TJ attachment continue to next page. This TJ has 3 attachments. One of the attachments is a video file posted separately.



Volvo Car Customer Service

TJ Instruction 27989-1

Title	Cable harness parking aid camera rear.	Page	1 (11)
Action	Replacement	Operation number:	98508-2

Issue	Date	Reason
1	2013-10	First issue

Affected vehicles

Model year	Model
2010, 2011, 2012, 2013, 2014	XC60

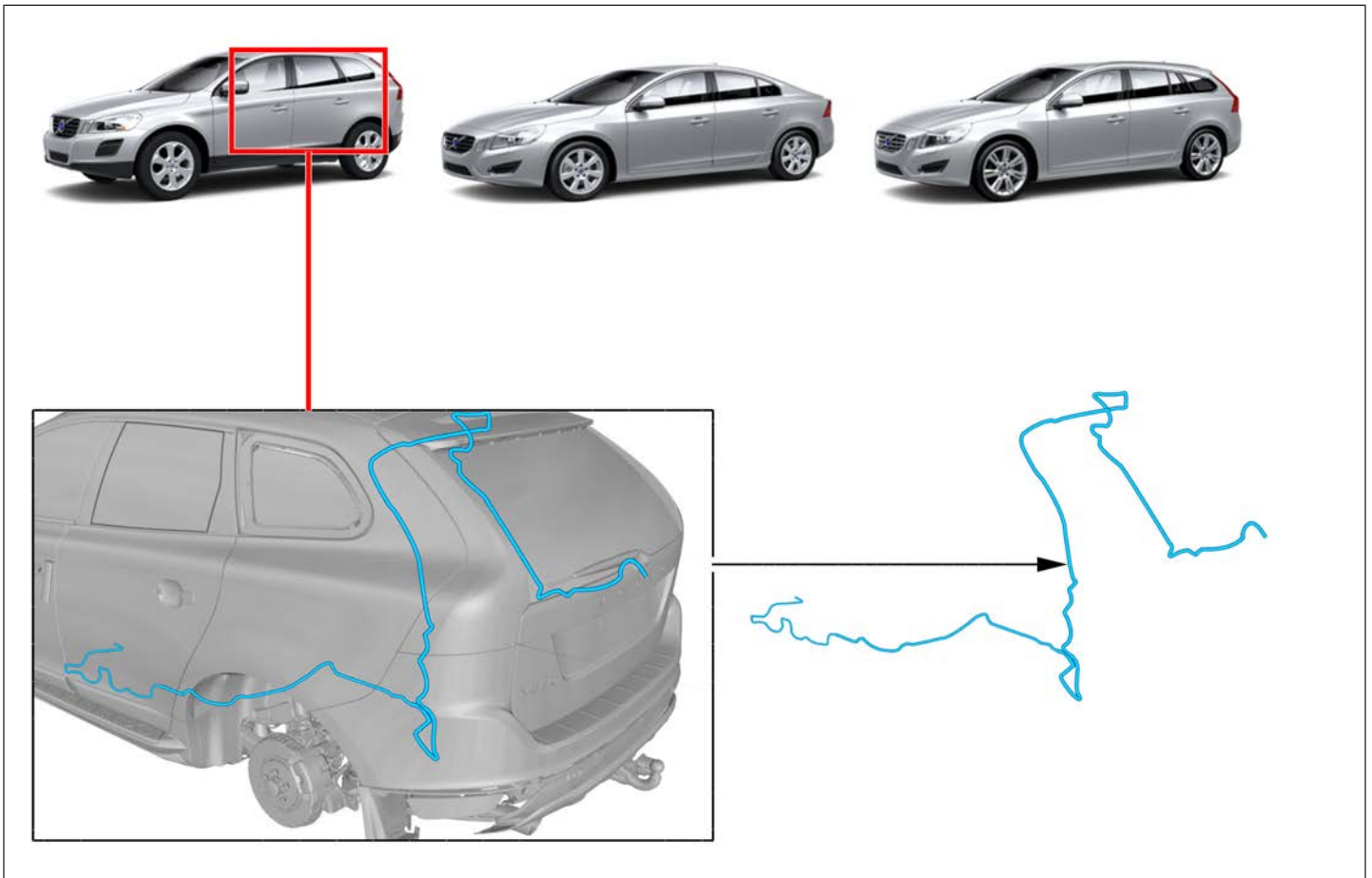
Materials

Materials	Qty.	Part No.	Notes
Butyl tape	1	1161783	
Sems screw	4.0	987486	
Cable tie	10	983750	
Harness	1.0	31414655	
Cable tie	3.0	982635	

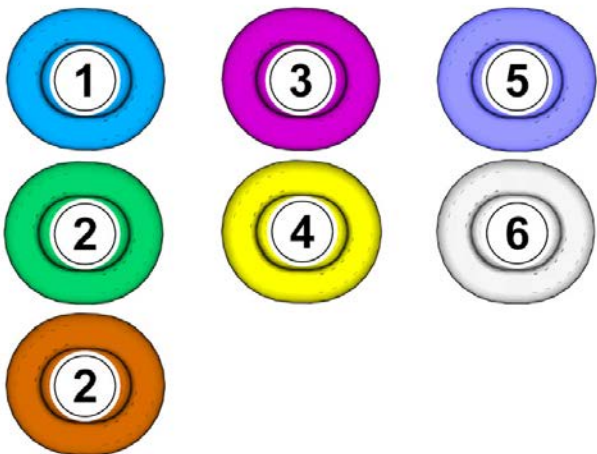
Special tools

Description	Part No.
Tension spring	951 2932

Orientation view



Color symbols

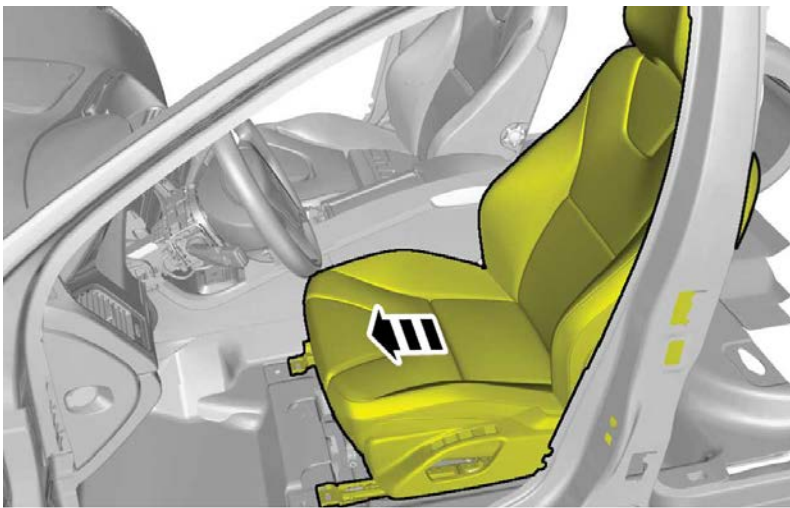


Note! This colour chart displays (in colour print and electronic version) the importance of the different colours used in the images of the method steps.

- 1 . Used for focused component, the component with which you will do something.
- 2 . Used as extra colors when you need to show or differentiate additional parts.
- 3 . Used for attachments that are to be removed/installed. May be screws, clips, connectors, etc.
- 4 . Used when the component is not fully removed from the vehicle but only hung to the side.
- 5 . Used for focused component, the component with which you will do something.
- 6 . Used as background color for vehicle components.

Removal

Detach left front seat , refer to:
Removal, replacement and installation
8 - Body and interior
85 - Interior
852 - front seat, drivers seat, seat bench
type



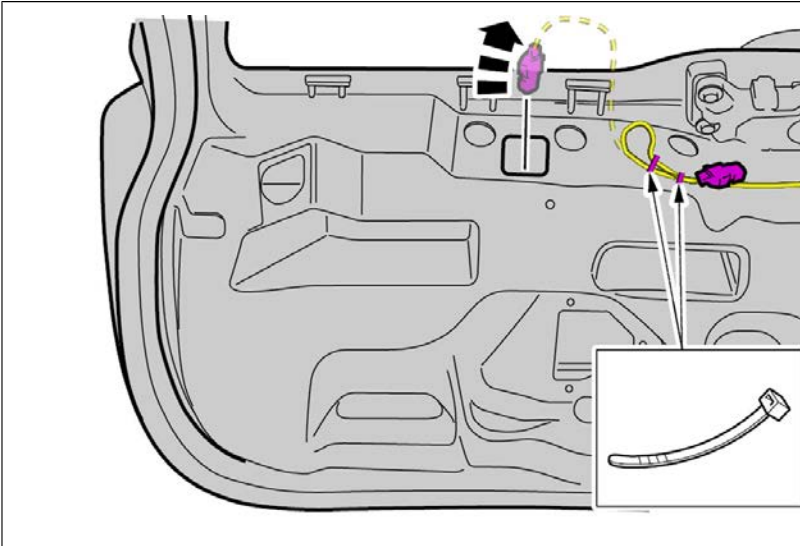
Detach left panel b-pillar , refer to:
Removal, replacement and installation
8 - Body and interior
85 - Interior
851 - upholstery for wall/door, side, rear
shelf, luggage rack

Remove the left-hand side panel in the cargo
compartment , refer to:
Removal, replacement and installation
8 - Body and interior
85 - Interior
855 - other upholstery

Remove the seat cushion, rear seat , refer to:
Removal, replacement and installation
8 - Body and interior
85 - Interior
853 - rear seat, passenger seat, bench

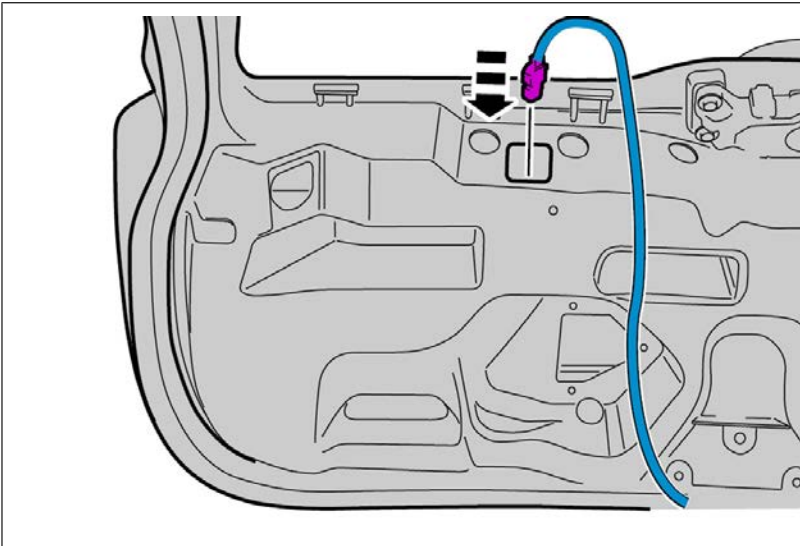
Remove the tailgate/trunk lid trim panel , refer to:

- Removal, replacement and installation
- 8 - Body and interior
- 85 - Interior
- 851 - upholstery for wall/door, side, rear shelf, luggage rack

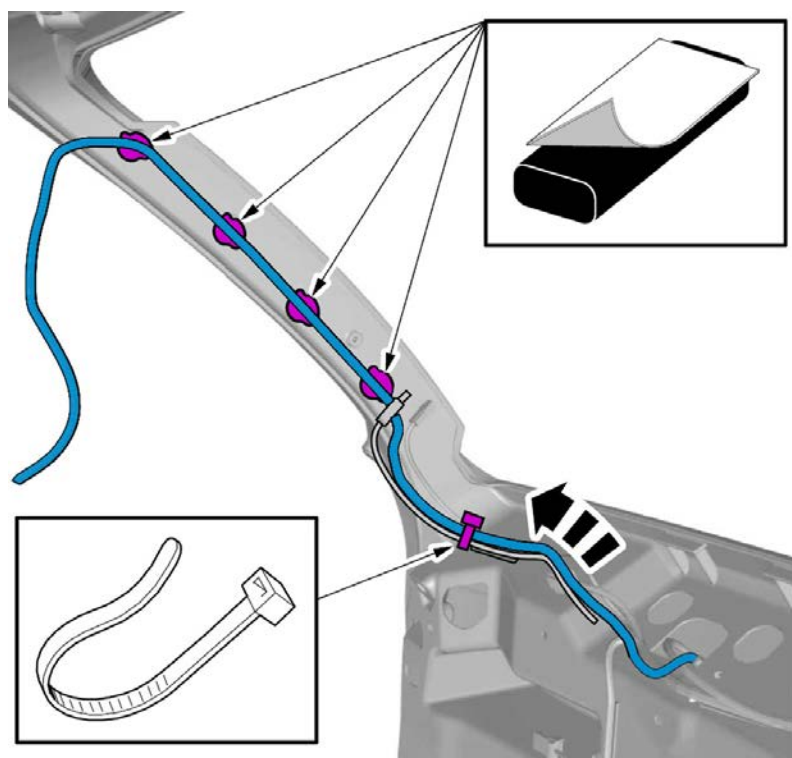


Disconnect the connector.

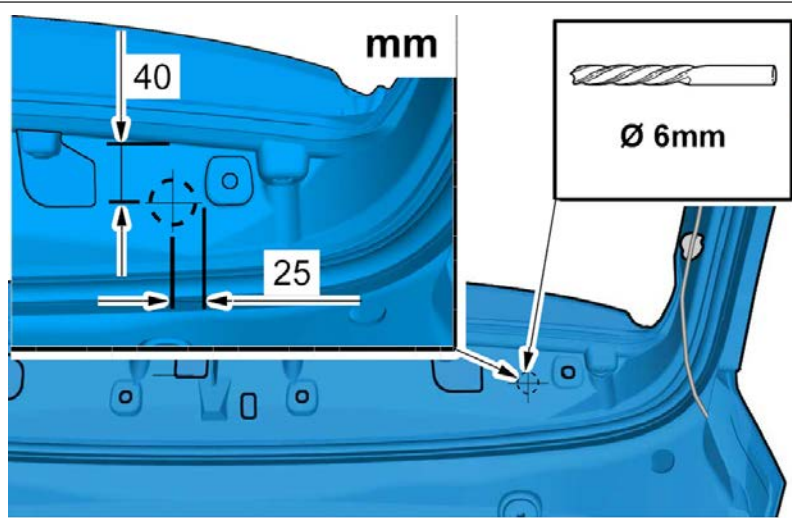
Installation

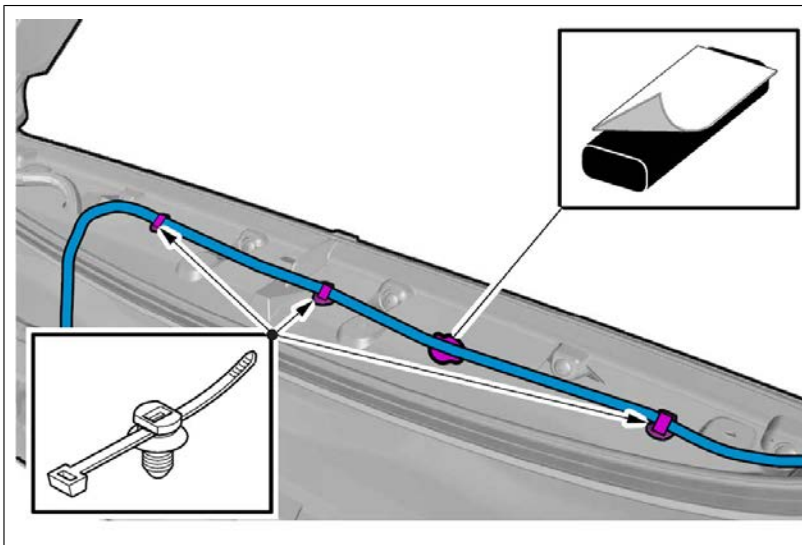
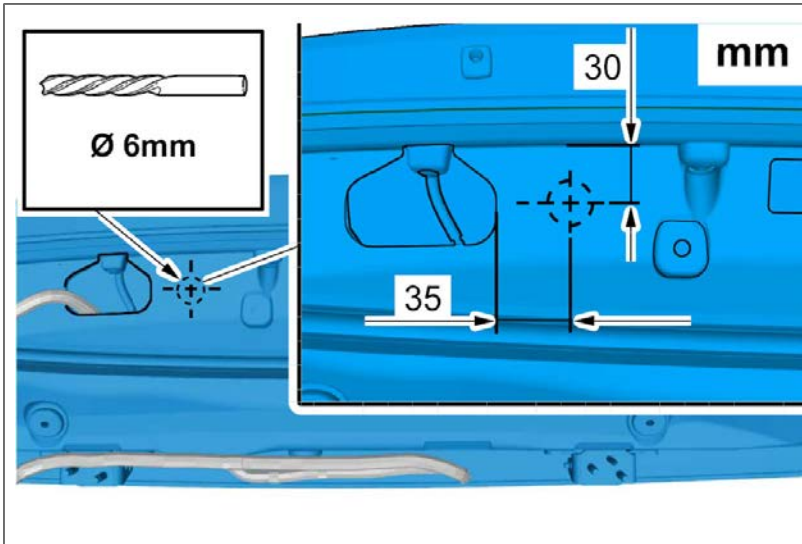
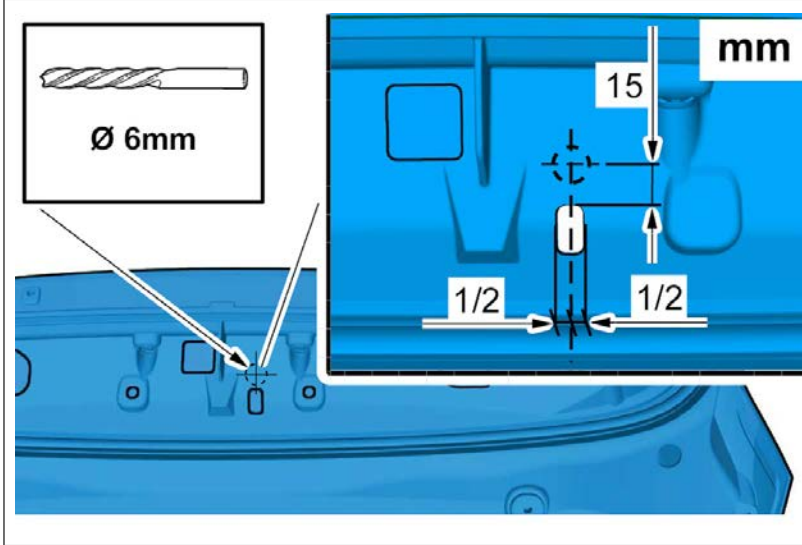


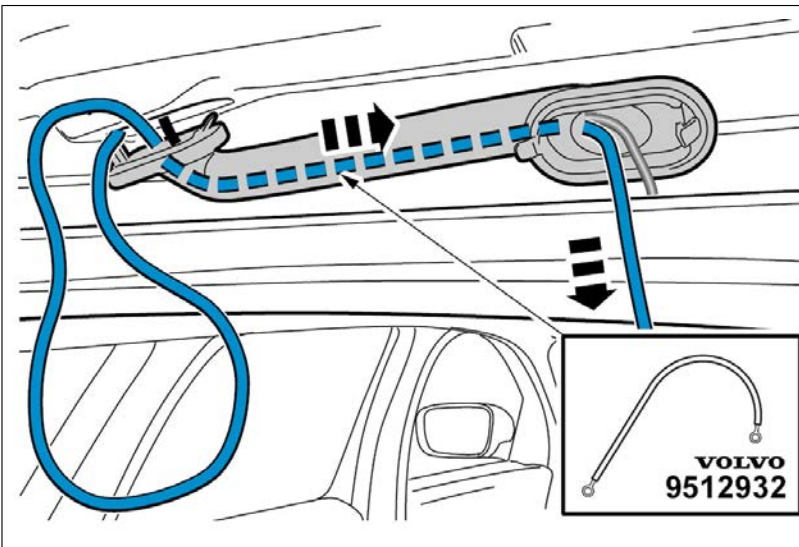
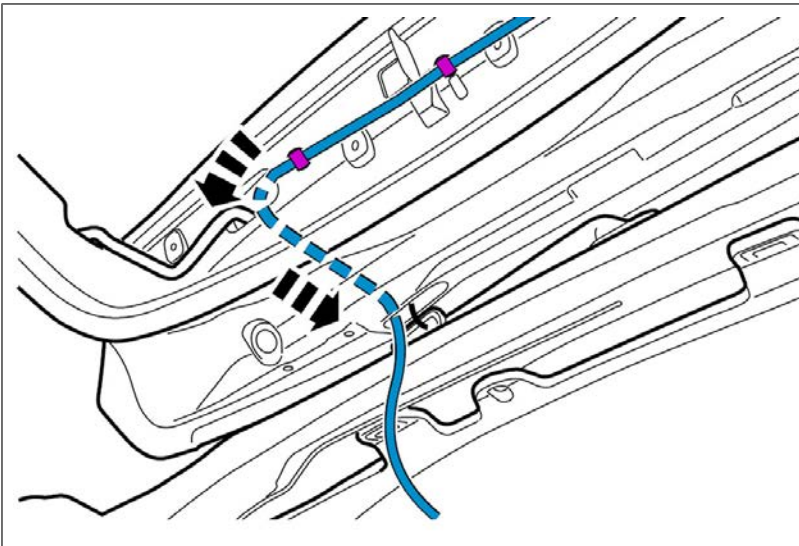
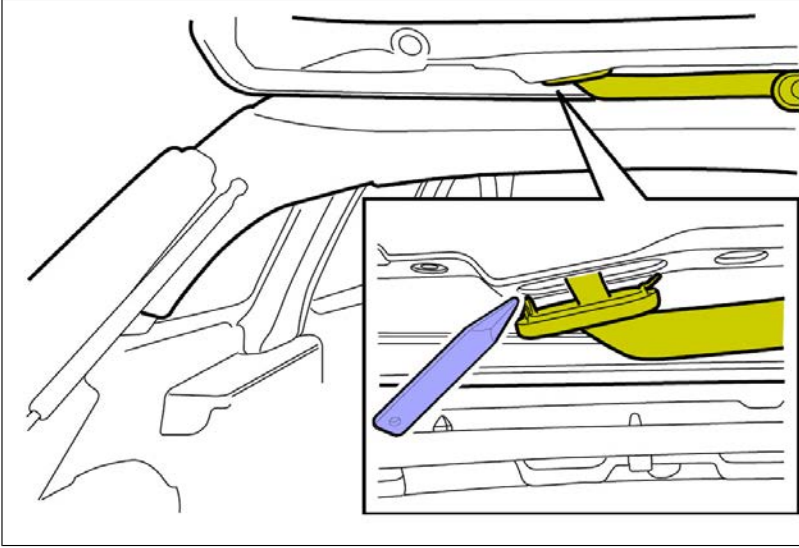
Connect the connector.



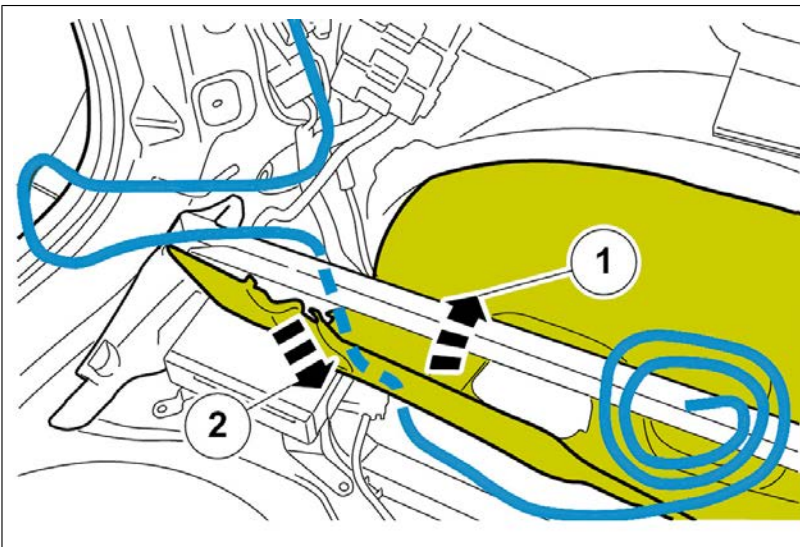
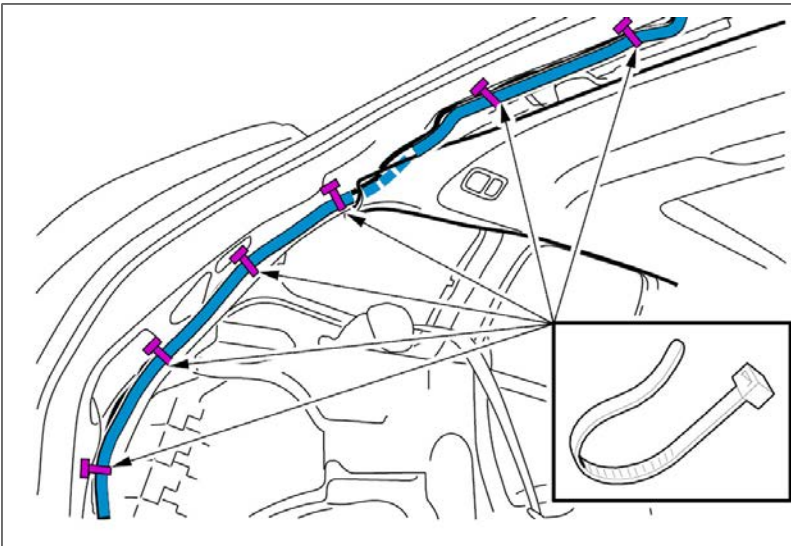
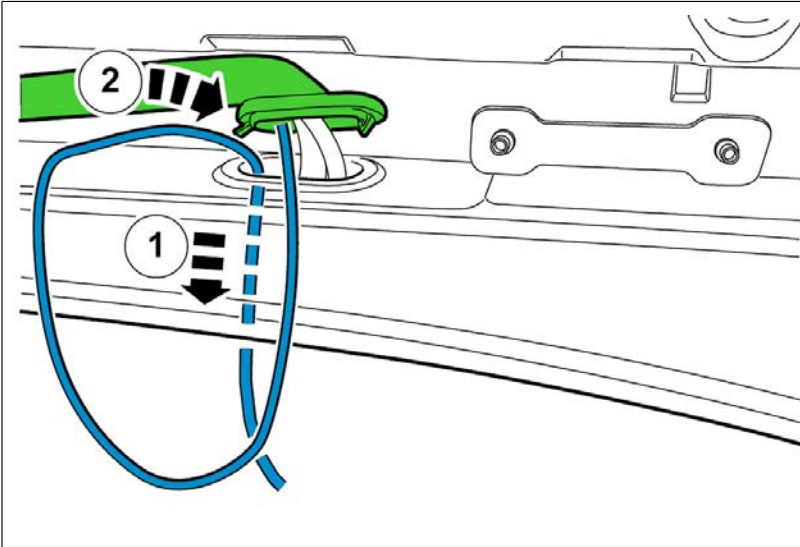
Use: Butyl tape , 1161783



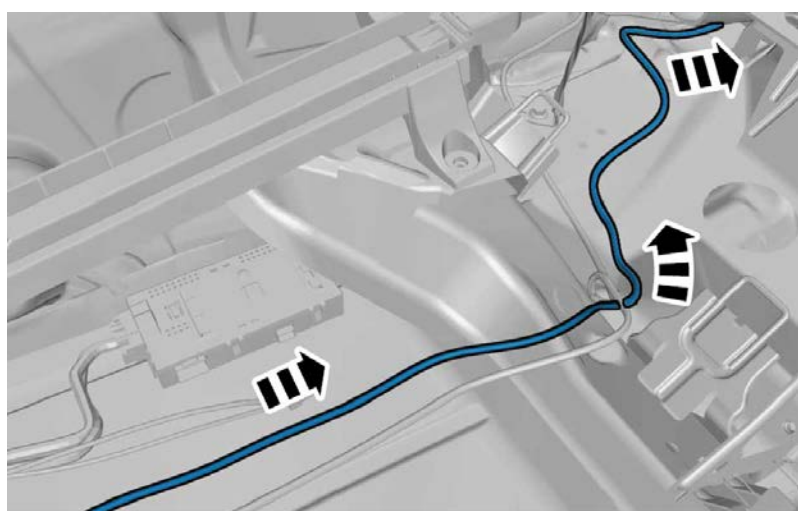
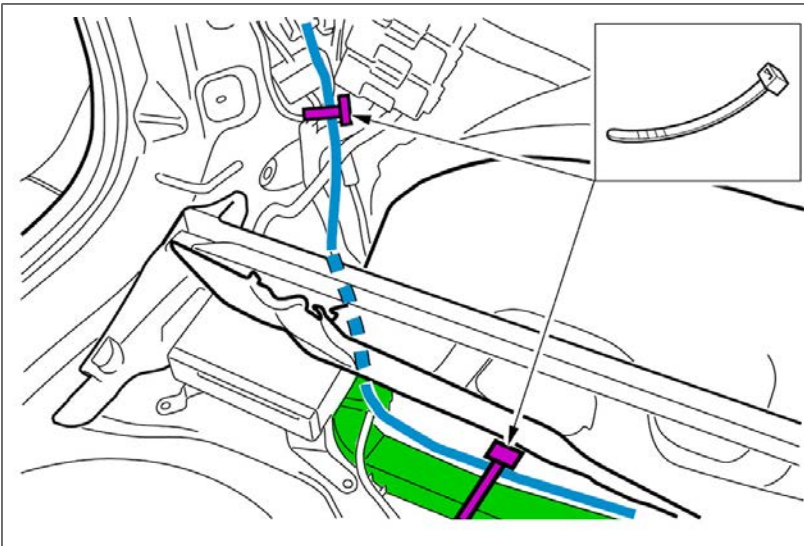
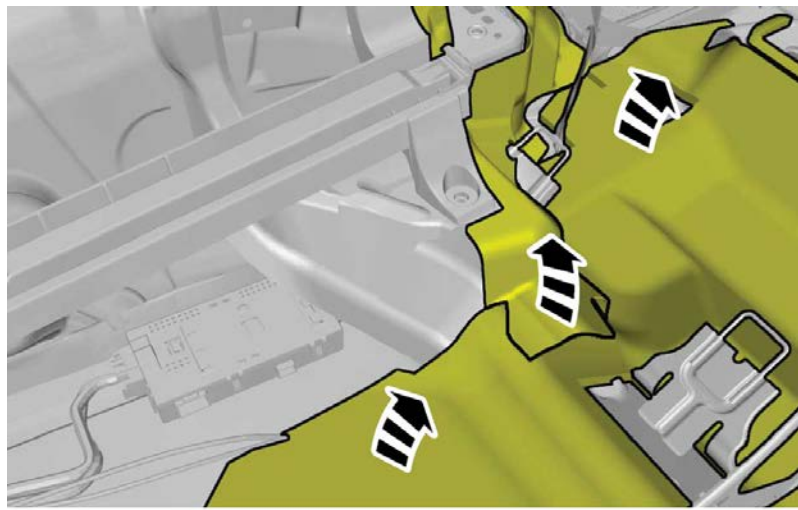


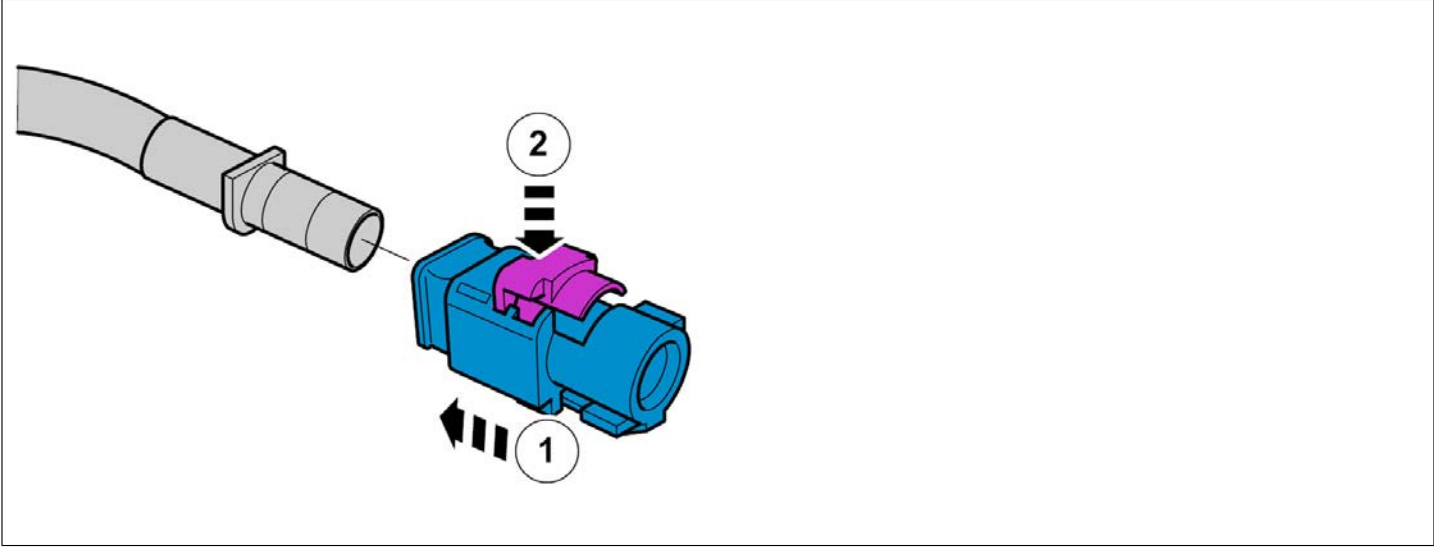


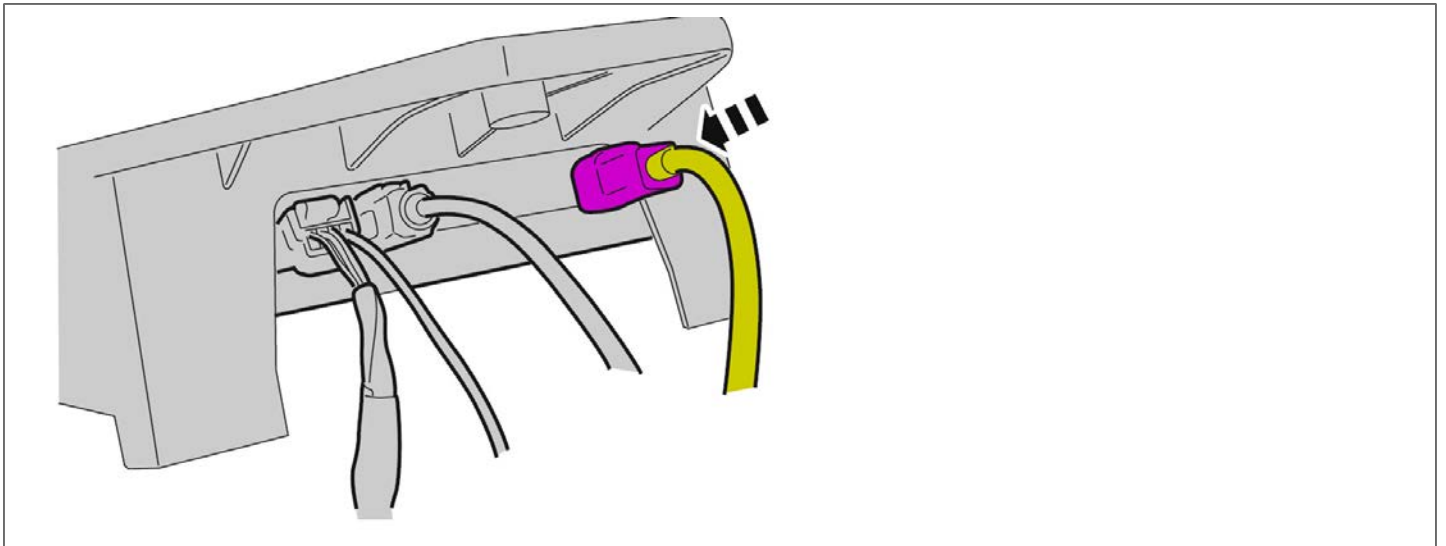
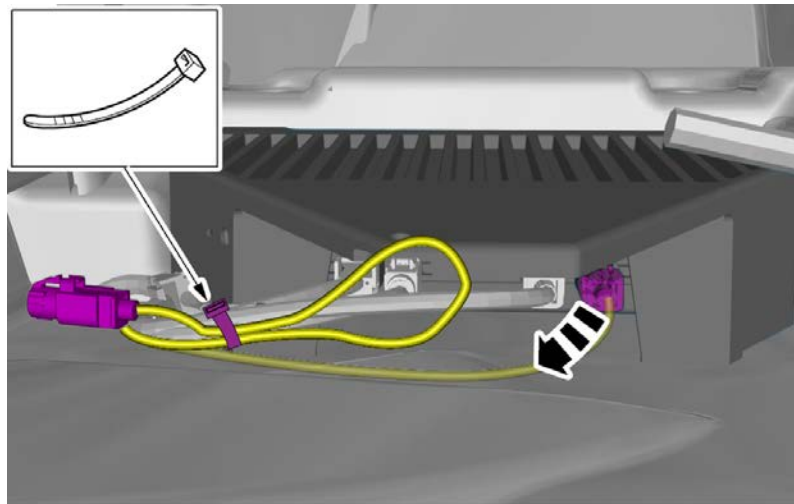
Special Tool: T9512932, Tension spring



- 1 . Fold the insulation to one side.
- 2 . Route the cable harness to the existing cable harness.







To install, reverse the removal procedure.



Volvo Car Customer Service

TJ Instruction 27989-2

Title	Cable harness parking aid camera rear.	Page	1 (7)
Action	Replacement	Operation number:	98508-2

Issue	Date	Reason
1	2013-12	First issue

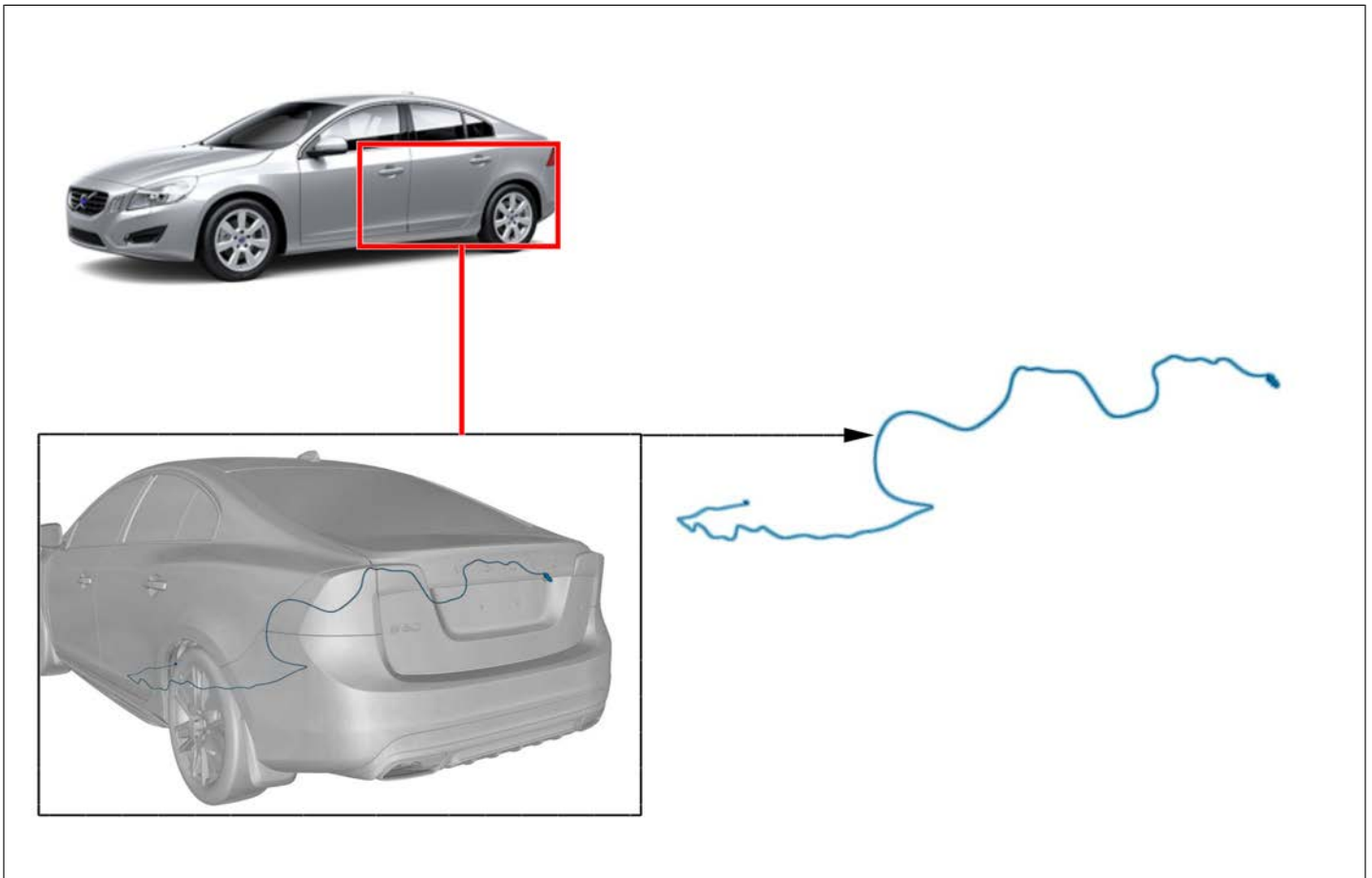
Affected vehicles

Model year	Model
2011, 2012, 2013, 2014	S60 (11-)

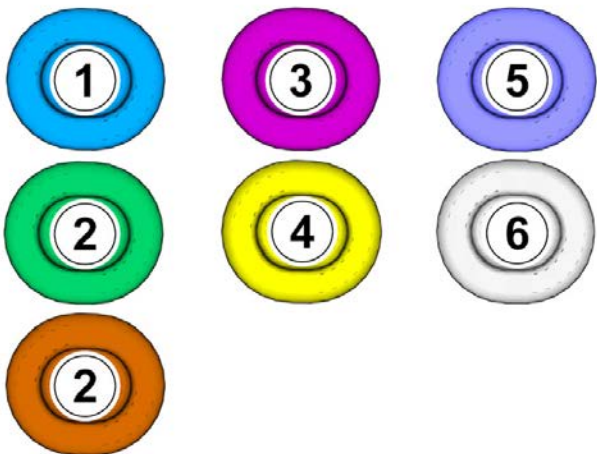
Materials

Materials	Qty.	Part No.	Notes
Sems screw	4.0	987486	
Harness	1.0	31414655	
Cable tie	17.0	982635	

Orientation view



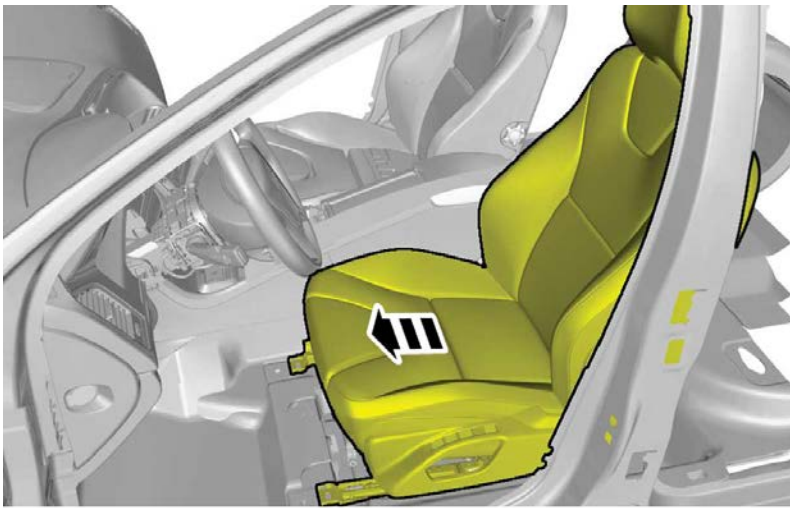
Color symbols



Note! This colour chart displays (in colour print and electronic version) the importance of the different colours used in the images of the method steps.

- 1 . Used for focused component, the component with which you will do something.
- 2 . Used as extra colors when you need to show or differentiate additional parts.
- 3 . Used for attachments that are to be removed/installed. May be screws, clips, connectors, etc.
- 4 . Used when the component is not fully removed from the vehicle but only hung to the side.
- 5 . Used for standard tools and special tools.
- 6 . Used as background color for vehicle components.

Detach left front seat , refer to:
Removal, replacement and installation
8 - Body and interior
85 - Interior
852 - front seat, drivers seat, seat bench type

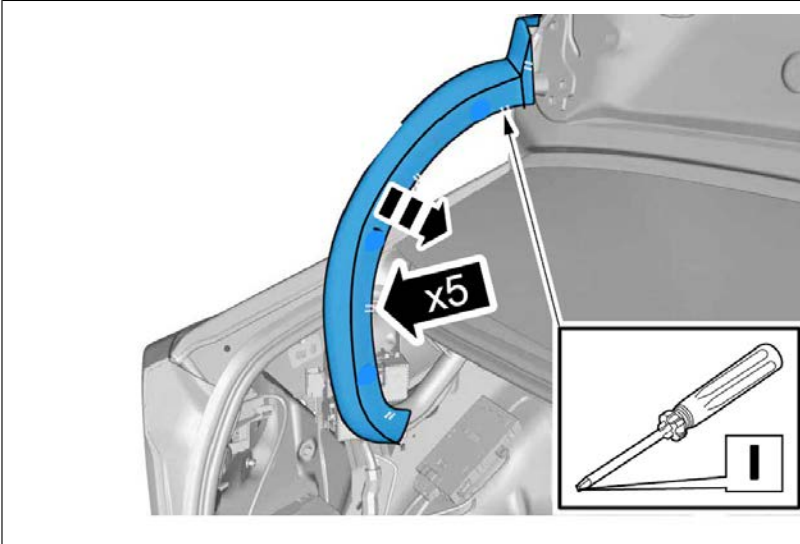


Detach left panel b-pillar , refer to:
Removal, replacement and installation
8 - Body and interior
85 - Interior
851 - upholstery for wall/door, side, rear shelf, luggage rack

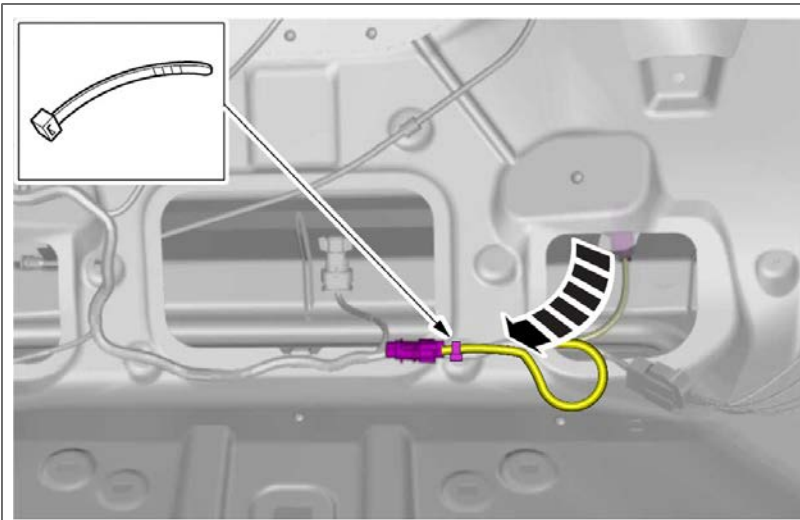
Remove the left-hand side panel in the cargo compartment , refer to:
Removal, replacement and installation
8 - Body and interior
85 - Interior
855 - other upholstery

Remove the seat cushion, rear seat , refer to:
Removal, replacement and installation
8 - Body and interior
85 - Interior
853 - rear seat, passenger seat, bench

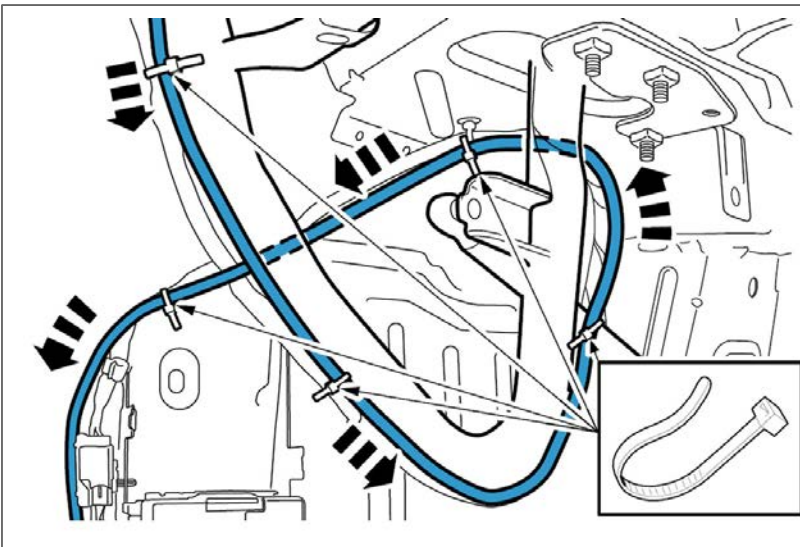
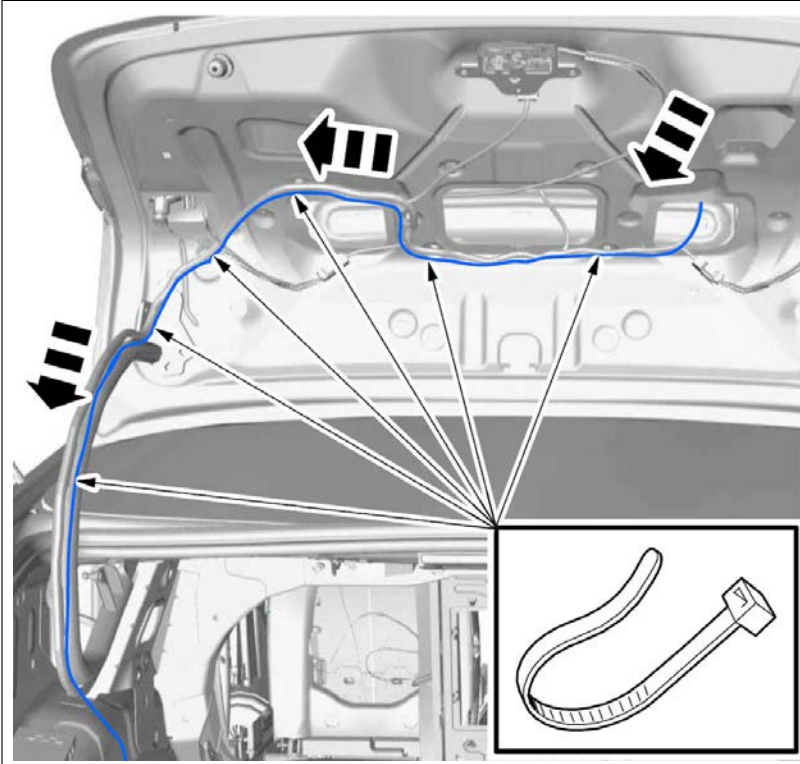
Remove panel, tailgate , refer to:
Removal, replacement and installation
8 - Body and interior
85 - Interior
851 - upholstery for wall/door, side, rear
shelf, luggage rack

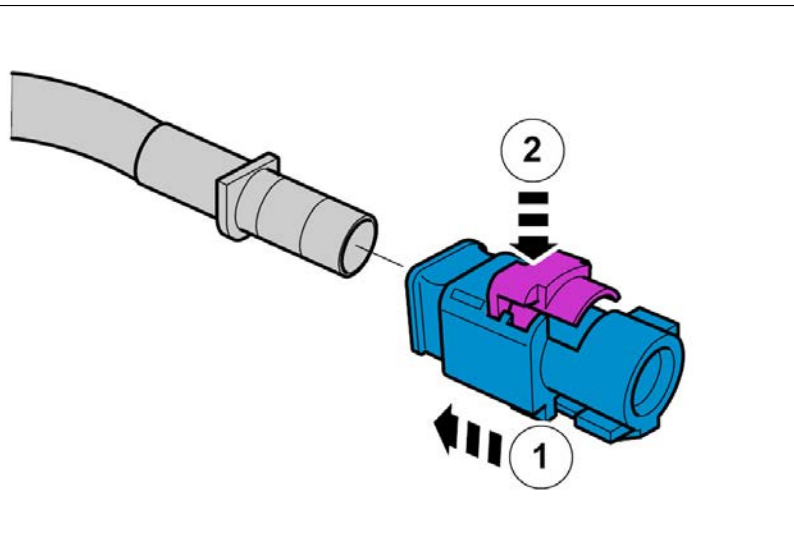
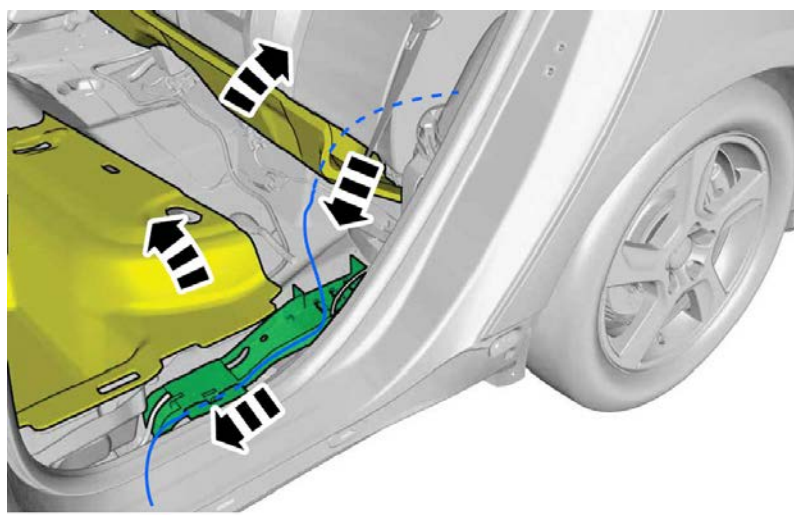
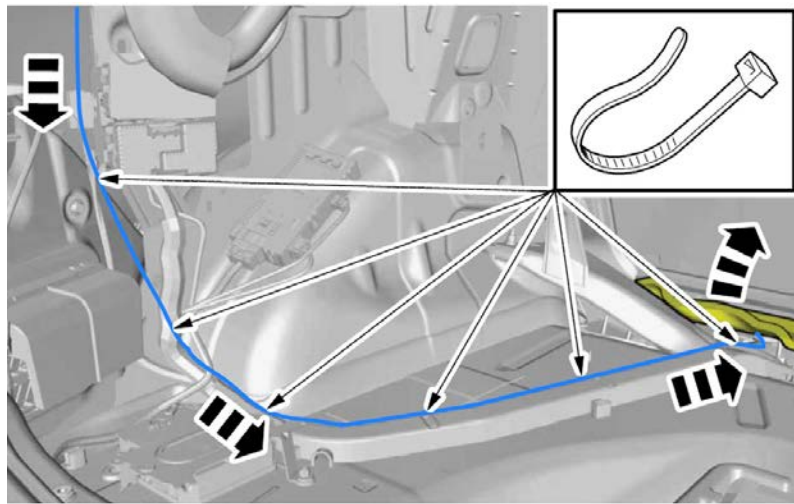


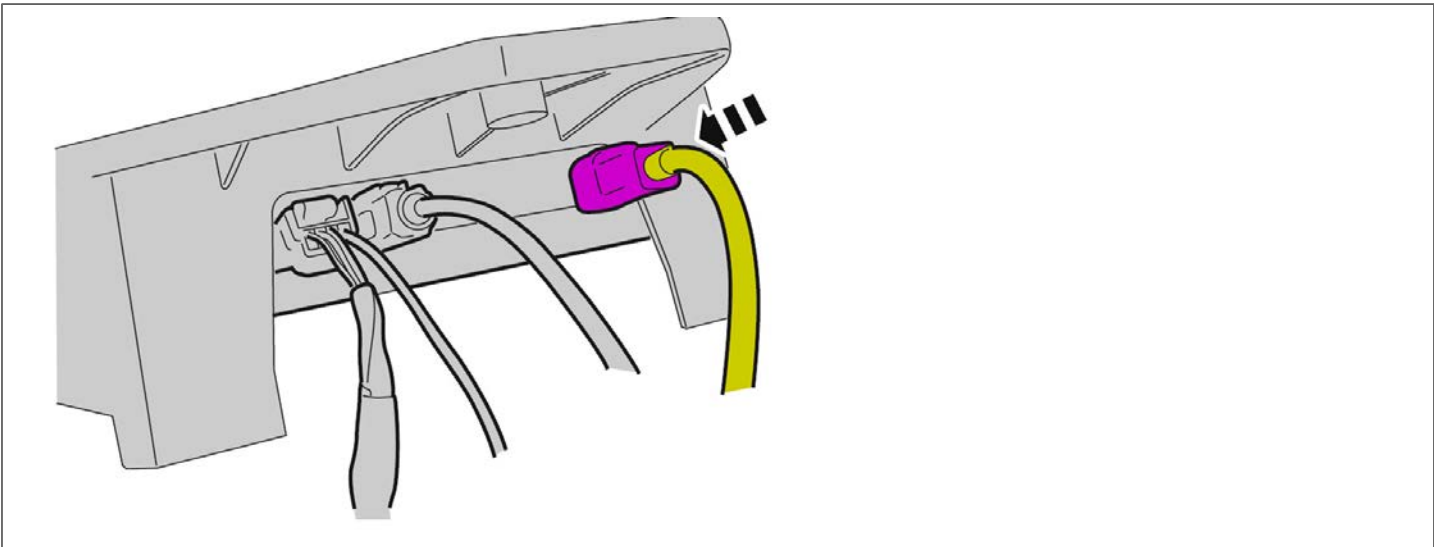
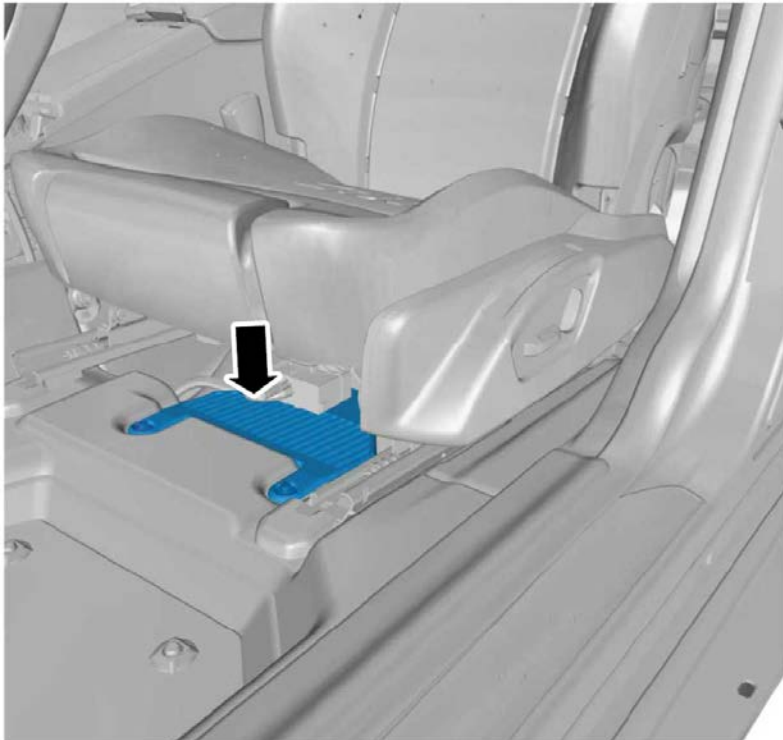
Caution! Take extra care when handling the component.



Installation







To install, reverse the removal procedure.