



All American Rear Engine Surge Tank

BULLETIN

**Models Affected: 2011-2013 Model Year A3 Rear Engine All American Buses
with Cummins ISC07 & ISL-G07 Engines only.**

ISSUE

Radiator Surge tank, Blue Bird part number 00108642 only, may crack.

CORRECTIVE ACTION

The surge tank should be inspected for cracks and replaced with a new surge tank, if cracks are detected. Surge tanks without cracks should not be replaced.

PROCEDURE

WARNING: Always follow all Federal, State, Local and Shop safety standards and use proper safety equipment, and thoroughly read and understand all instructions before performing these procedures. Make sure engine and engine coolant are cool to the touch before performing these procedures.

Inspection

Inspect surge tank (BB# 00108642) for cracks and replace with new surge tank kit (BB# 10034914) if cracks are present. Surge tanks without cracks should not be replaced.

Installation

1. Park bus on a level surface, apply parking brake, turn off engine, remove keys, and chock wheels.
2. Drain and remove surge tank and hose. Save fasteners, 15 PSI surge tank cap, 3/8" vent lines and ports, and coolant level sensor for re-use.
3. Install new surge tank. See figure 1 for new surge tank mounting location.
4. See figure 2 for exploded view of kit.
5. Adjustment of rear light may possibly be needed.
6. Use Teflon tape on threaded fitting connections.
7. Fill surge tank and check for leaks. Repair any leaks found.
8. Return bus to service.



All American Rear Engine Surge Tank

BULLETIN

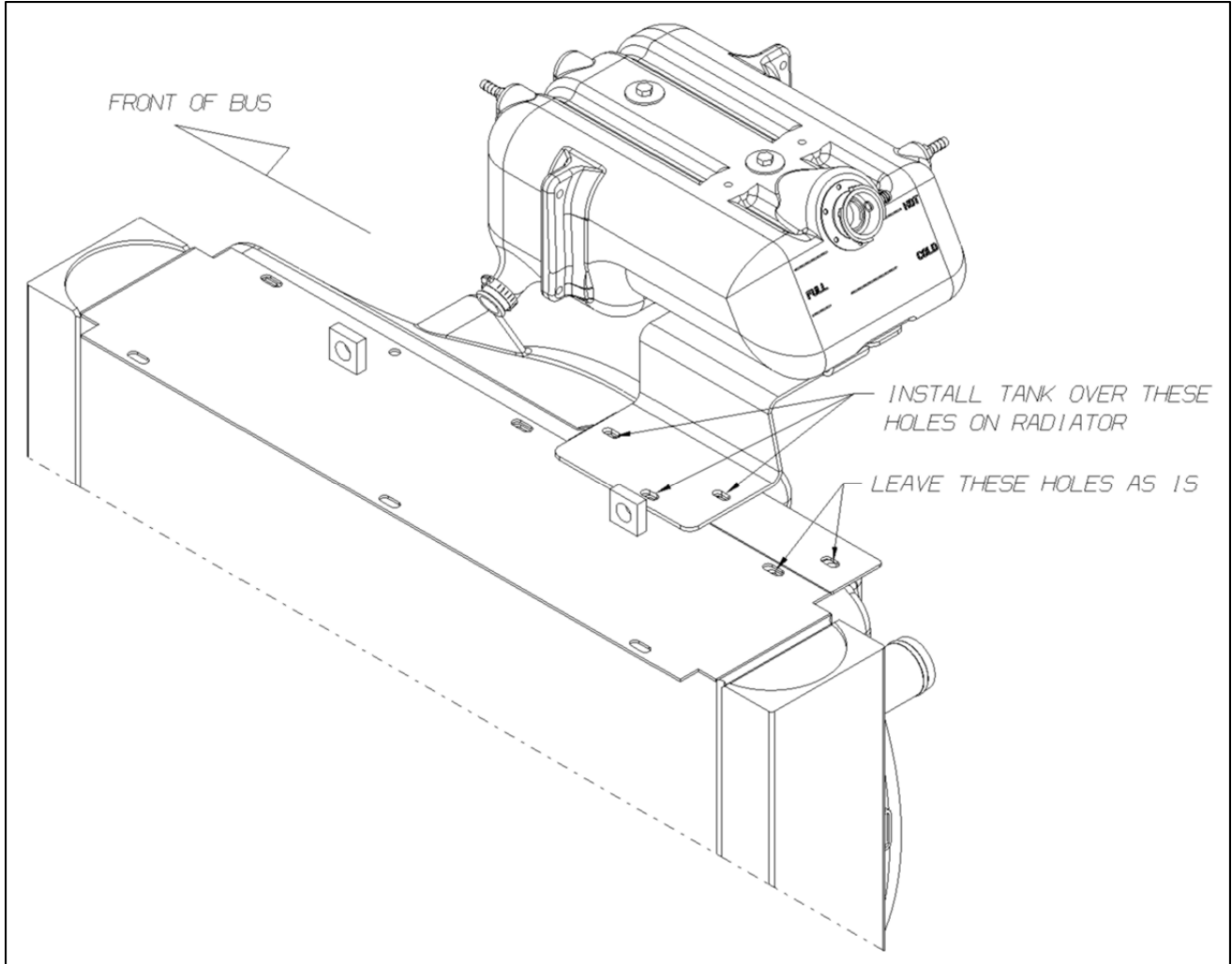


Fig. 1

S I 3 W P

S E R V I C E B U L L E T I N



All American Rear Engine Surge Tank

BULLETIN

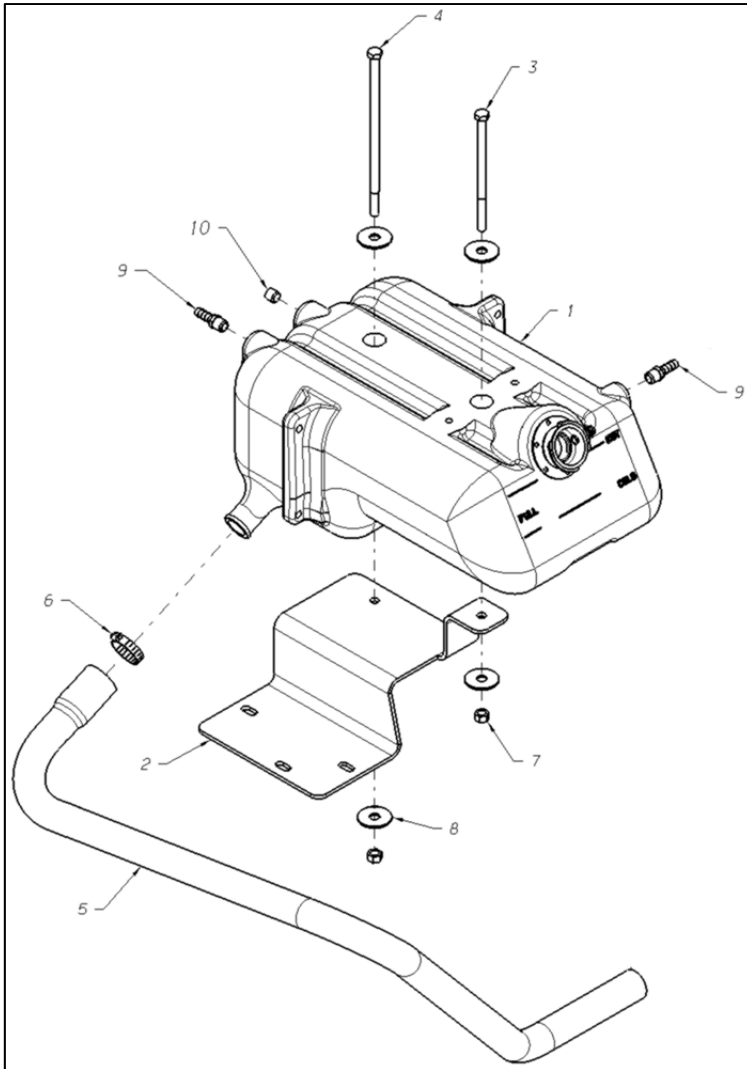


Fig. 2

Torque	
Part #	FT-LB
6	7.5 – 8.5
7	28 - 30

10034914 Kit,Service,Surge Tank,ISC07/ISL-G07,A3RE			
Item	Part #	Description	Qty
1	10032779	TANK,SURGE,T3RE,ISL/B13	1
2	10035017	BRACKET,MTG,SURGE TANK,A3RE	1
3	10033638	CAPSCREW,HEX HD,3/8-16 x 6.00 GR8, YEL ZN	1
4	10033639	CAPSCREW,HEX HD,3/8-16 x 8.50 GR8, YEL ZN	1
5	10034910	HOSE,FORMED,1.00 ID,SIL,SURGE TO ENGINE,ISC,A3RE	1
6	01894799	CLAMP,CONSTANT TORQUE,13/16 TO 1-1/2 DIA	1
7	00826297	NUT,HEX HD,3/8-16 LOCK,YEL ZN DICH	2
8	00560748	WASHER,FLAT,15/32 X 1 1/2 X 3/32,HDN,BLK ZN	4
9	00103802	ADAPTER,BARBED,.375 HOSE X .25 MPT,.125 ORF	2
10	02023513	PLUG,PIPE,1/4,ALLEN HEX HD,BRASS	1