



Date	Group	No.	Release	Page
11.13	<b>373</b>	<b>018</b>	<b>01</b>	1(6)

## **SB-10054054-4887**

Transmission Connector (Multiple Open Circuits)  
LEU, MRU

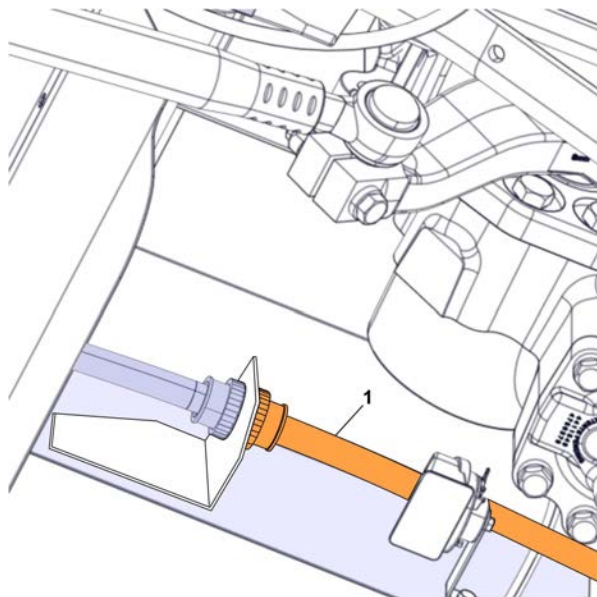
### **FSB 373-018, Transmission Connector (Multiple Open Circuits)**

(November 2013)

On some Mack models built with an Allison transmission, between May 16, 2011 and August 9, 2013, may experience multiple open circuits in the 31 way transmission connector. This is due to a supplier manufacturing issue with the connector. If this issue is found follow the procedure below:

#### **Inspection MRU**

1. Secure the vehicle for service by parking it on a flat level surface, applying the parking brake, chocking the rear wheel, and placing the transmission in neutral.
2. Raise the cab.
3. Connector located under left side of cab next to step.



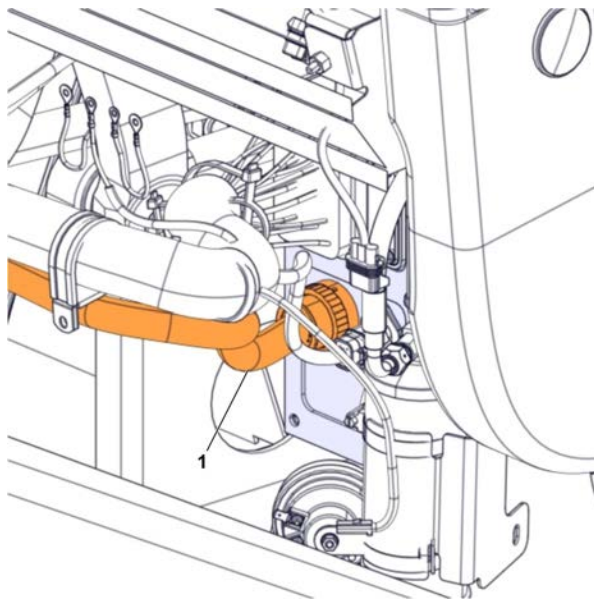
W3085373

1. Approximate location of "Yellow" marking

4. Look for yellow marking on harness (1).
  - a. If marking is present then no further action required. (Lower the cab).
  - b. If **NO** marking present, see repair below.

## Inspection LEU

1. Secure the vehicle for service by parking it on a flat level surface, applying the parking brake, chocking the rear wheel, and placing the transmission in neutral.
2. Look from under cab on driver side near horn for yellow marking.



W3085374

1. Approximate location of "Yellow" marking
3. Inspect harness for "Yellow" marking on harness (1).
  - a. If marking is present then no further action required.
  - b. If **NO** marking is present, see repair below.

## Required Parts

Quantity	Part Number	Description
1	25177012	Connector Cab Side
1	25177273	Connector Transmission Side
1	25350482	Back Shell

## Repair Procedure

**Note:** Information is subject to change without notice. Illustrations are used for reference only, and may differ slightly from the actual engine version. However, key components addressed in this information are represented as accurately as possible.

You must read and understand the precautions and guidelines in Service Information, Function Group 30, "General Safety Practices, Electrical and Electronics" before performing this procedure. If you are not properly trained and certified in this procedure, ask your supervisor for training before you perform it.

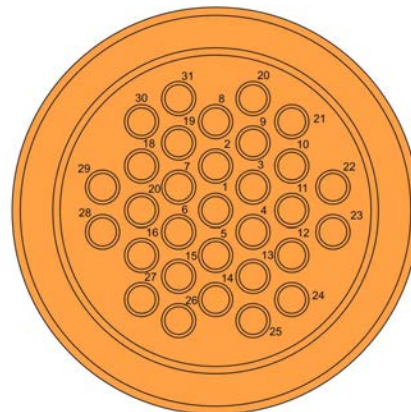
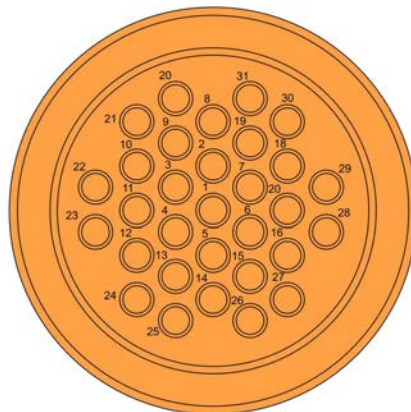
- 1 Disconnect all cables from the negative (ground) battery terminals to prevent personal injury from electrical shock and prevent damage to electrical components.
- 2 Secure any loose items within the cab.
- 3 Remove access panel located in step well. **(LEU Only)**
- 4 Tilt the cab forward until the cab is hinged in the safety catch.

- 5 Remove the transmission connector.
- 6 Untape and remove back shell and discard.
- 7 Remove the tape from the harness approximately 152 mm (6 in.) back from the connector.
- 8 Extract the terminals from the Delphi connector one terminal at a time and insert it into the same cavity of the Deutsch connector.

**Note:** Use recommended Deutsch removal tool (0411–240–2005) or equivalent tool that can be purchased locally.

**Note:** Start from one side of the connector and slowly work your way across to the other side.

**Note:** Double check extraction hole number against the insertion hole number each and every time to ensure accuracy.



W3084149

W3084150

Male Pin

Female Socket

- 9 Install the new back shell (25350482) onto the rear of the transmission connector.

10 Remove the cab side connector nut from the bracket mount and pull connector out.

11 Repeat steps 7 and 8 on the cab side connector.

**Note:** Use recommended Deutsch removal tool (0411-240-2005) or equivalent tool that can be purchased locally.

**Note:** Start from one side of the connector and slowly work your way across to the other side.

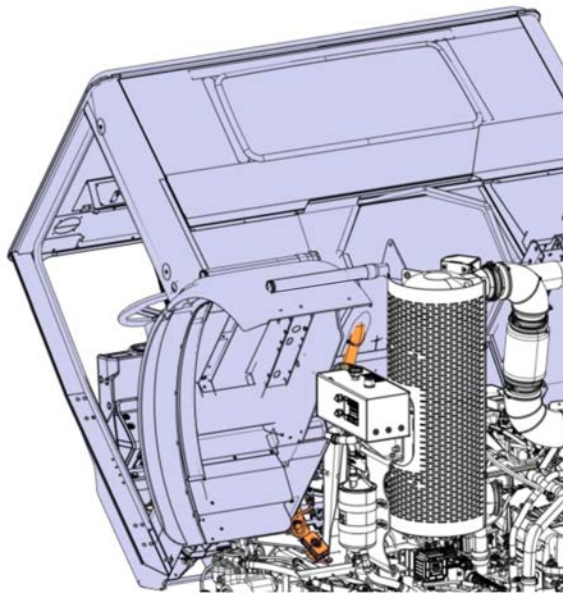
**Note:** Double check extraction hole number against the insertion hole number each and every time to ensure accuracy.

12 Tape each side of the harness back to where it was originally.

13 Install connector into the bracket and secure nut. Torque to 7.4–8.4 Nm (65–75 in-lb.)

14 Install the transmission harness to the mating connector and secure.

15 Lower the cab.



W8083450

16 Install access panel in step well. **(LEU only)**

17 Install all the previously removed cables to the negative (ground) battery terminals.

18 Start the vehicle and check transmission operation.

**Reimbursement**

<b>This repair may be eligible for reimbursement if a product failure was experienced within time and mileage limits of the applicable Warranty coverage. Reimbursement is obtained via the normal claim handling process.</b>	
<b>Claim Type (used only when uploading from the Dealer Bus. Sys.)</b>	01
<b>Labor Code</b>	
Inspection Time	3231J-AE-80 0.3 hrs
Primary Labor Code includes Inspection Time	3231K-AE-80 3.0 hrs
<b>Causal Part</b>	21682874 and 21682869

Mack Trucks, Inc. engages in a comprehensive program of testing and evaluating to provide the best possible product. Mack Trucks, Inc. however, is not committed to, or liable for updating existing vehicles.