

Applies To: **See VEHICLES AFFECTED**

July 16, 2013

MIL Comes On With DTCs P2646/P2651 or P2647/P2652

(Supersedes 13-021, dated February 28, 2013, to revise the information marked by the black bars)

REVISION SUMMARY

- Under VEHICLES AFFECTED, 2012–13 Civic models (except Si and Hybrid) were added.
- Under PARTS INFORMATION, a second rocker arm oil pressure switch P/N was added.
- Under REPAIR PROCEDURE, illustrations specific to 2008–12 Accord and 2012–13 Civic were added.

SYMPTOM

The MIL comes on with one of these DTCs:

- P2646/P2651 (Rocker arm oil pressure switch circuit low voltage).
- P2647/P2652 (Rocker arm oil pressure switch circuit high voltage).

NOTE: The symptom may be intermittent, and you may not be able to duplicate it after clearing the DTC.

POSSIBLE CAUSE

The rocker arm oil pressure switch may fail intermittently.

VEHICLES AFFECTED

2003–12 Accord L4 – ALL

2002–05 Civic Si – ALL

2002–09 CR-V – ALL

2011 CR-Z – ALL

2003–11 Element – ALL

2007–11 Fit – ALL

 2012–13 Civic – ALL except Si and Hybrid

CORRECTIVE ACTION

Replace the rocker arm oil pressure switch.

PARTS INFORMATION

NOTE: To help clarify where new parts are used in the REPAIR PROCEDURE, the new part is listed in the applicable step with a ">" symbol.

Rocker Arm Oil Pressure Switch:

P/N 37250-PNE-G01 (All except 2012–13 Civic)

P/N 37250-R1A-A01 (ONLY for 2012–13 Civic)

O-ring (13 mm X 1.5 mm):

P/N 91319-PAA-A01

WARRANTY CLAIM INFORMATION

The normal warranty applies.

OP#	Description	FRT
110165	2003–07 Accord L4 - ALL	0.3
	2008–12 Accord L4 - ALL	0.5
	2002–05 Civic Si - ALL	0.3
	2002–09 CR-V - ALL	
	2011 CR-Z - ALL	
	2003–11 Element - ALL	
	2007–11 Fit - ALL	
	2012–13 Civic - ALL	

Failed Part: P/N 37250-PNE-G01

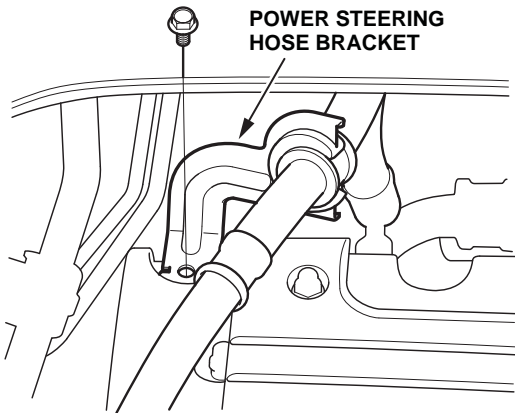
Defect Code: 03214

Symptom Code: 03272

Skill Level: Repair Technician

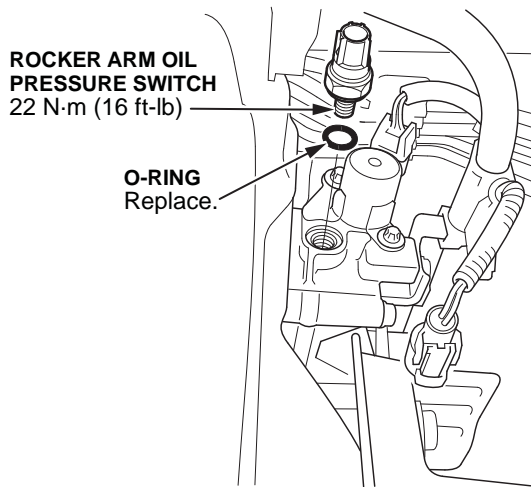
REPAIR PROCEDURE

1. Remove the power steering high pressure hose bracket mounted on the valve cover.

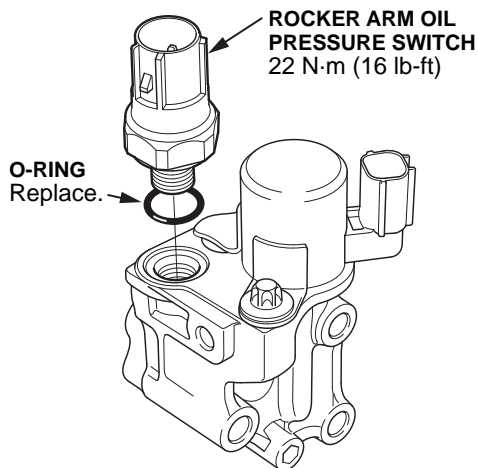


2. Remove the rocker arm oil pressure switch and the O-ring:

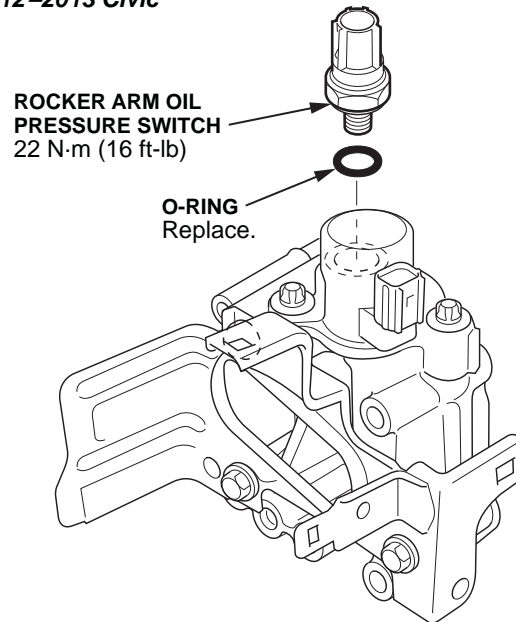
2008–2012 Accord L4



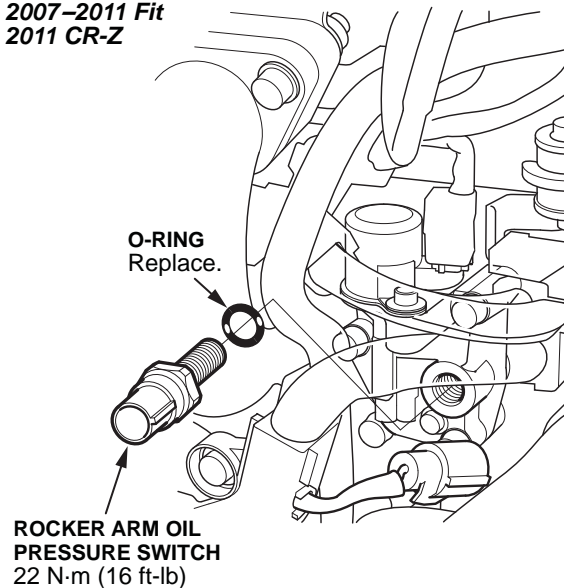
*2003–2007 Accord L-4
2002–2005 Civic Si
2002–2009 CR-V
2003–2011 Element*



2012–2013 Civic



*2007–2011 Fit
2011 CR-Z*



3. Install the new rocker arm oil pressure switch and the new O-ring. Torque the switch to **22 N·m (16 lb·ft)**.

> Rocker Arm Oil Pressure Switch
> O-ring

4. Reinstall the power steering high pressure hose bracket.

5. Clear the DTC(s) with the HDS.

NOTE: If the DTC returns, refer to the troubleshooting procedure for the DTC that is set.