

SB-10052636-2455



Countries: CANADA, UNITED STATES Document ID: IK0800422
 Availability: ISIS Revision: 1
 Major System: ELECTRICAL SYSTEM Created: 4/15/2013
 Current Language: English Last Modified: 7/11/2013
 Other Languages: NONE Author: Ken Fogelstrom
 Viewed: 183

[Less Info](#)

Hide Details

Coding Information

Copy Link 	Copy Relative Link 	Bookmark View My Bookmarks	Add to Favorites 	Print 	Provide Feedback 	Helpful 7	Not Helpful 0
---------------	------------------------	---	----------------------	-----------	----------------------	------------------	----------------------

Title: Use Alternative Cube Fuse Stud Terminal to Prevent Incorrect Installation

Applies To: All ProStars without SCR

DESCRIPTION

Replace Battery Cube Fuse Stud Terminal with alternative part, to reduce possibility of improper installation resulting in shorted fuse.

MODEL

All ProStars (prior to SCR release)

PARTS INFORMATION

Part #	Description	Qty.
3660996C1	Cube Fuse	N/A
3627811C2	Stud Terminal	N/A
3991216C1	Stud Terminal	N/A

POTENTIAL for INCORRECT INSTALLATION of STANDARD STUD TERMINAL

- Technician loses or misplaces specified insulated nut, or nut has become corroded.
- Without knowing that a special nut is required, technician replaces insulated nut with a standard non-insulated nut, which is not specified for the application.
- Minus the insulator, the fuse is effectively shorted, causing a direct non-fused connection to the battery.

POTENTIAL FAILURES INDUCED by INCORRECT INSTALLATION

If fusing has been bypassed by use of a standard non-specified nut, a short in the battery cable circuit can result in:

- Battery overheat.
- Cable insulation overheat/melt.

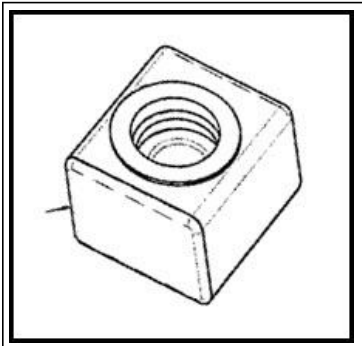
Using a standard non-specified nut can result in a loose connection between the battery cable, the cube fuse, and the fuse stud, causing:

- Arcing at battery-fuse connection.

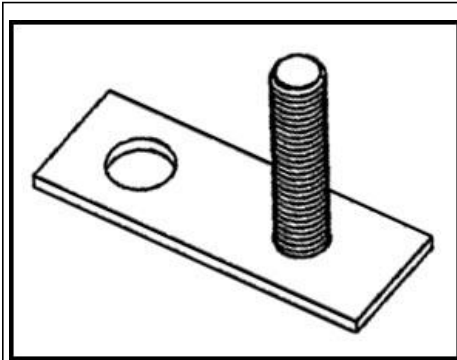
- Overheating and damage to cable terminals.
- Overheating and damage to cube fuse.

MITIGATION

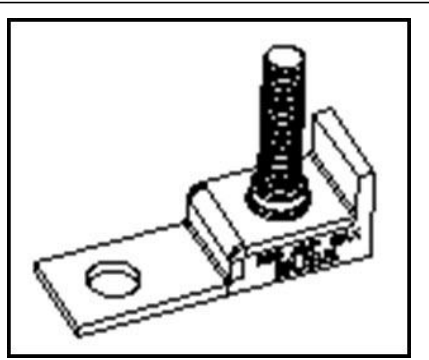
To remove the possibility of the potential incorrect installation of the standard cube fuse stud terminal, the part can be replaced with an alternative. The alternative part eliminates the need for a special insulated nut, by including an insulator at the stud base. With the alternative part, a standard nut may be used. No short will result, and the fuse will remain operational.



Cube Fuse - 3660996C1



Stud Terminal - 3627811C2



Stud Terminal - 3991216C1

[Hide Details](#)

Feedback Information

Viewed: 182
 Helpful: 7
 Not Helpful: 0

No Feedback Found