

**WC51 Replacing Center Intake-air Distributor (Workshop Campaign)**

Vehicle Type: **911 GT3 RS (997)/911 GT3 RS 4.0 (997)**

Model Year: **As of 2010 up to 2012**

Revision: July 12, 2013 — PAG combined the 911 GT3 RS (997) and 911 GT3 RS 4.0 bulletins into a single bulletin applicable to both model types.

**Center intake-air distributor**

Information: This is to inform you of a voluntary Workshop Campaign on the above-mentioned vehicles. **An intake-air distributor, on which the shaft for guiding the resonance flap does not meet the required specifications, may have been installed on the affected vehicles.**

As a result, the shaft may break and broken pieces may get into the intake duct and end up in the combustion chambers. This can cause loud noises. It can also result in mechanical damage if the engine is not stopped in time.

Action Required: Replace center intake-air distributor.

Customer Notification: PCNA will mail a notification letter to all affected vehicle owners during the week of May 27, 2013 advising of the need to visit their authorized Porsche dealer for the completion of this campaign.

Affected Vehicles: The VIN(s) can be checked by using PIWIS Vehicle Information link to verify if the campaign affects the vehicle. This campaign is scope specific to the VIN! Failure to verify in PIWIS may result in an improper repair. This campaign affects 759 vehicles in North America.

Parts Info: **NOTE: DO NOT ORDER PARTS.** Parts will be automatically allocated to your dealership up to 70% of the vehicles that are serviced at your dealership. Once you are out of stock and need additional parts, please submit a PTEC/PAV.

Part No.	Designation	Qty. (ea.)	Vehicle type	
			GT3 RS (3.8 l)	GT3 RS 4.0
000.043.208.04	⇒ Distributor tube (center intake-air distributor)	1	■	■
900.331.056.40	⇒ O-ring, 180 x 3 (intake-air distributor)	2	■	■
000.043.208.05	⇒ Rubber sleeve	6	■	

000.043.209.05	⇒ Rubber sleeve	6		■
N .013.804.2	⇒ Sealing ring, 6 x 10 (intake-air distributor)	2	■	■
997.110.319.90	⇒ Seal (throttle housing)	1	■	■
999.707.204.40	⇒ Sealing ring, 12.5 x 2 (hydraulic pump)	1	■	■
000.043.206.56	⇒ Pentosin CHF202 (1-litre container)	1	■	■

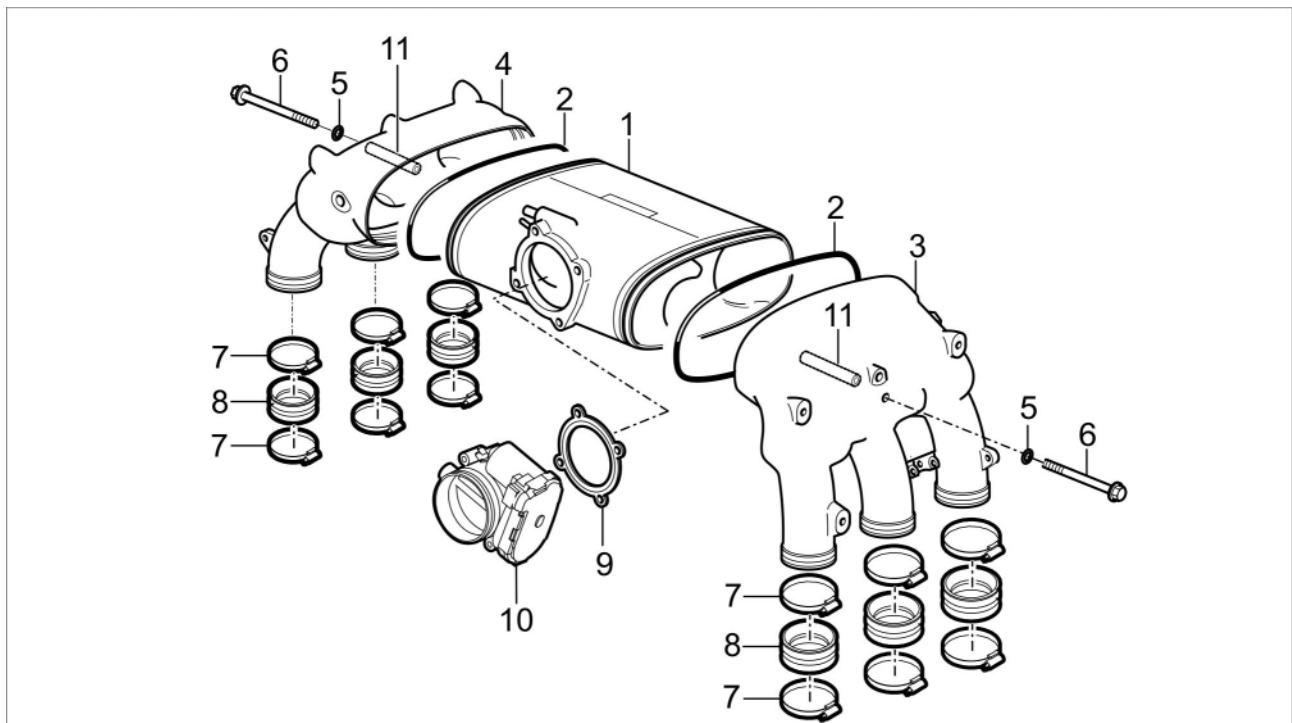
Materials: Usually available in the Porsche dealership:

000.043.204.68

⇒ Grease Klüber Syntheso Glep

50g tube

(as much as required,  
approx. 1 gram per vehicle)



Overview of intake-air distributor

- 1 – Center intake-air distributor
- 2 – O-ring **(replace)**
- 3 – Intake-air distributor, cylinders 4-6
- 4 – Intake-air distributor, cylinders 1-3
- 5 – Sealing ring **(replace)**
- 6 – Fastening screw
- 7 – Clamp
- 8 – Rubber sleeve **(replace)**
- 9 – Throttle housing seal **(replace)**

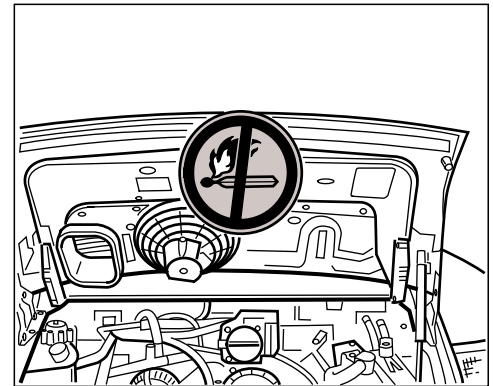
- 10 – Throttle housing
- 11 – Sleeve **(only for GT3 RS 4.0)**

Work See Attachment "A".  
 Procedure:

Claim See Attachment "B".  
 Submission:

### Attachment "A":

- Procedure:
- 1 Switch off ignition and remove ignition key.
  - 2 Place a warning sign in a clearly visible position in the work area or on the vehicle.
  - 3 Place protective covers on the vehicle.
  - 4 Remove air cleaner housing ⇒ *Workshop Manual '242519 Removing and installing air cleaner housing - section on "Removing"*.



*Warning sign*

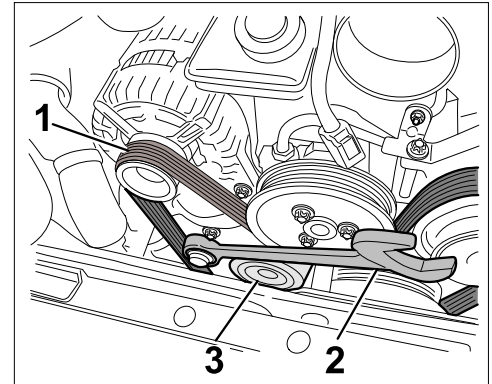
**⚠ WARNING**

**Danger of objects or loads falling down**

- Risk of squashing or crushing
- ⇒ **Secure components to prevent them from falling down.**

- 5 Lower the engine and support it.
  - 5.1 Position a jack with **9111/3 - engine retainer plate** on the engine.
  - 5.2 Unscrew fastening nuts on the engine mounts.
  - 5.3 Slowly lower the engine by about 40 mm. The engine must not be lying on the cross member.

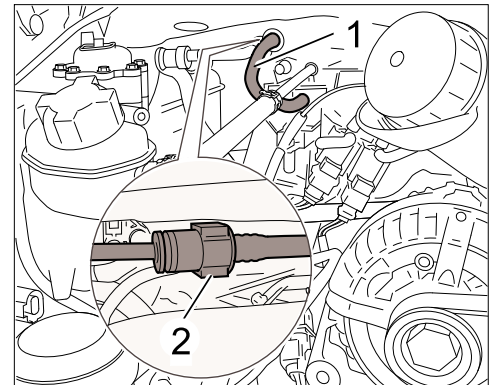
- 6 Slacken the drive belt at the tensioning roller.
- 6.1 Turn the tensioner ⇒ *Relieving drive belt -3-* clockwise at the hexagon using a ring wrench ⇒ *Relieving drive belt -2-* and remove the drive belt ⇒ *Relieving drive belt -1-* from the air-conditioning compressor.
- 6.2 Allow the tensioner to slide back to its original position.



*Relieving drive belt*

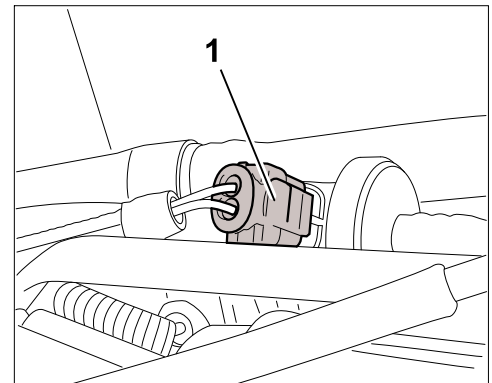
- 7 Disconnect connections in the engine compartment at the left.

- 7.1 Loosen tank vent valve ⇒ *Loosening tank vent valve -1-*.
- 7.1.1 Disconnect tank vent line at the plug-in coupling ⇒ *Loosening tank vent valve -2-*.



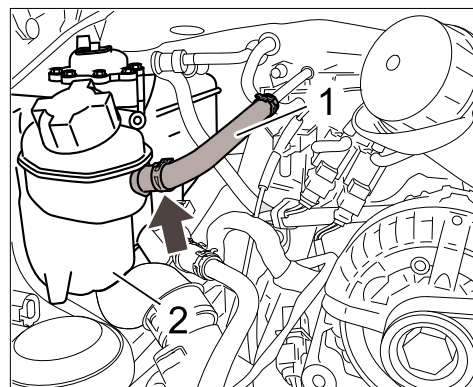
*Loosening tank vent valve*

- 7.1.2 Release and pull off electric plug connection ⇒ *Plug connection for tank vent valve -1-* from the tank vent valve.
- 7.1.3 Unclip tank vent valve.



*Plug connection for tank vent valve*

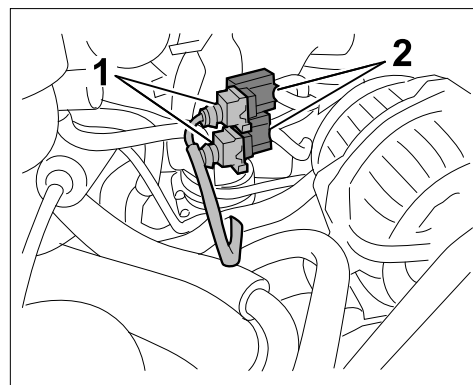
- 7.2 Disconnect breather hose on the coolant reservoir.
  - 7.2.1 Clamp the breather hose ⇒ *Disconnecting breather hose -1-* using a hose clamping pliers.
  - 7.2.2 Open the spring band clamp ⇒ *Disconnecting breather hose -arrow-* and pull the breather hose off the coolant reservoir ⇒ *Disconnecting breather hose -2-*.
  - 7.2.3 Close off connection piece at the coolant reservoir.



*Disconnecting breather hose*

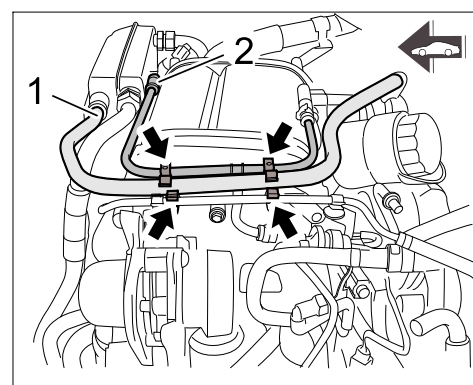
- 8 Unclip two control valves ⇒ *Loosening control valves -2-* on the hose assembly holder and move them aside slightly.

The electric plug connections ⇒ *Loosening control valves -1-* and vacuum hoses remain connected.



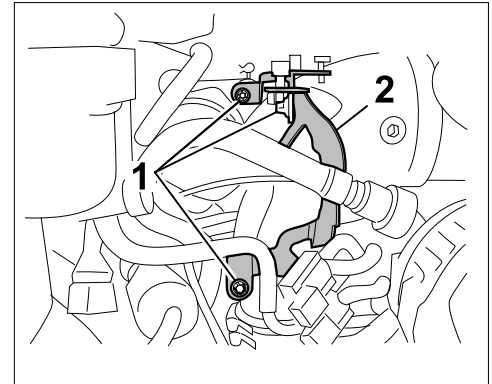
*Loosening control valves*

- 9 Remove holders for vent lines at the intake-air distributor for cylinder bank 1-3.
  - 9.1 Unclip vent line ⇒ *Unclipping vent lines -1-* and vent line ⇒ *Unclipping vent lines -2-* from the holders ⇒ *Unclipping vent lines -arrows-*.



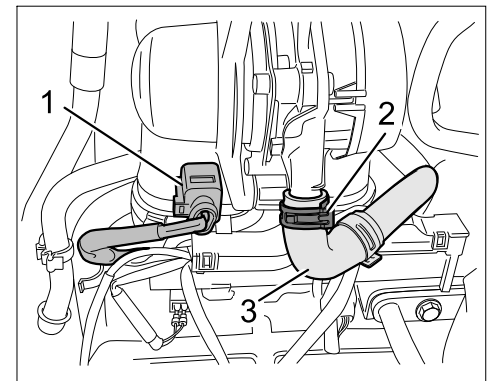
*Unclipping vent lines*

- 9.2 Unscrew fastening screws ⇒ *Loosening holder -1-* on vent line holder ⇒ *Loosening holder -2-*.



*Loosening holder*

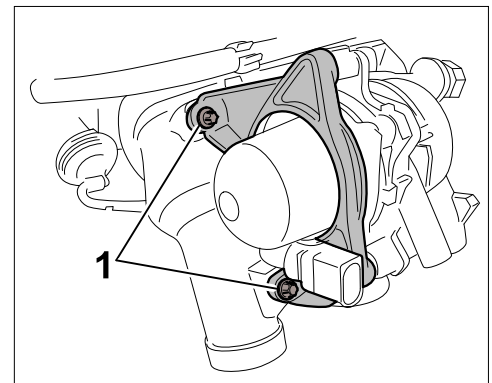
- 10 Remove secondary-air pump.
- 10.1 Release and unplug electric plug connection ⇒ *Removing secondary-air pump -1-*.
- 10.2 Open spring band clamp ⇒ *Removing secondary-air pump -2-* and pull off secondary-air line ⇒ *Removing secondary-air pump -3-*.



*Removing secondary-air pump*

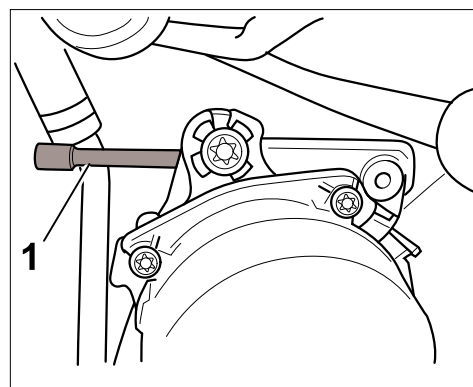
- 10.3 Loosen holder for secondary-air pump at the intake-air distributor for cylinder bank 1-3.

To unscrew the two fastening screws ⇒ *Loosening secondary-air pump holder -1-* on the holder, we recommend that you use a 1/4-inch socket-wrench insert with a magnet (Torx E10) and long extension.



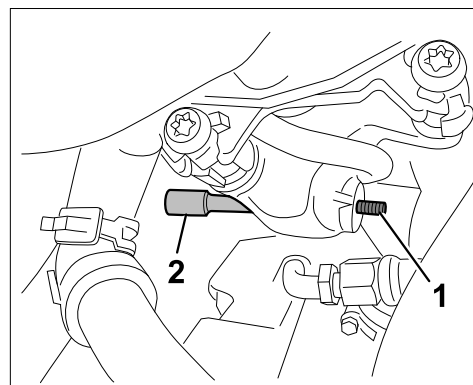
*Loosening secondary-air pump holder*

- 10.4 Unscrew upper M6 fastening screw on the secondary-air pump holder using the recommended tool ⇒ *Upper screw on secondary-air pump-1-*.



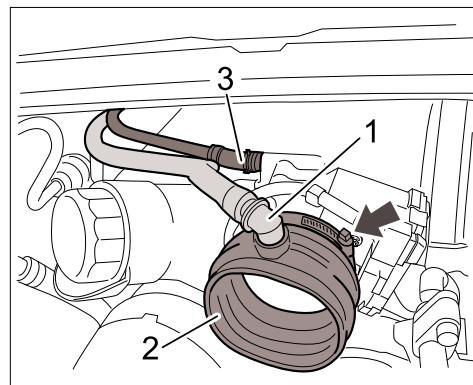
*Upper screw on secondary-air pump*

- 10.5 Unscrew lower fastening screw ⇒ *Lower screw on secondary-air pump-1-* on the secondary-air pump holder using the recommended tool ⇒ *Lower screw on secondary-air pump-2-*.
- 10.6 Remove secondary-air pump and holder from the engine compartment.



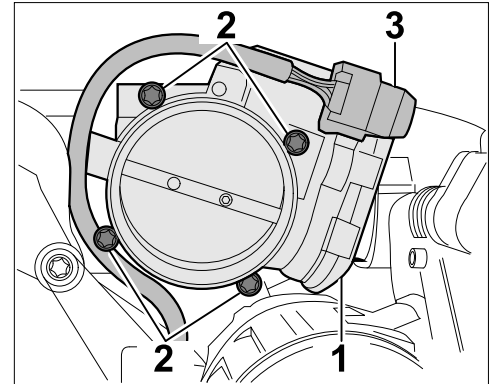
*Lower screw on secondary-air pump*

- 11 Disconnect vent lines from the oil tank to the intake-air distributor and throttle housing.
- 11.1 Open the clamp ⇒ *Disconnecting vent lines-arrow-* and pull the vent line ⇒ *Disconnecting vent lines-1-* together with the rubber sleeve ⇒ *Disconnecting vent lines-2-* off the throttle housing.
- 11.2 Open the spring band clamp and pull the vent line ⇒ *Disconnecting vent lines-3-* off the center intake-air distributor.



*Disconnecting vent lines*

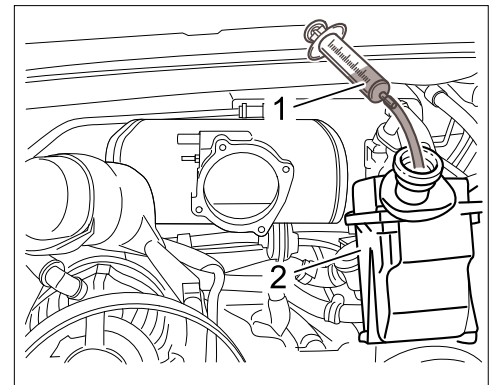
- 12 Remove throttle housing.
- 12.1 Disconnect electric plug connection ⇒ *Removing throttle housing -3-*.
- 12.2 Unscrew fastening screws ⇒ *Removing throttle housing -2-* and remove throttle housing ⇒ *Removing throttle housing -1-* and seal.



*Removing throttle housing*

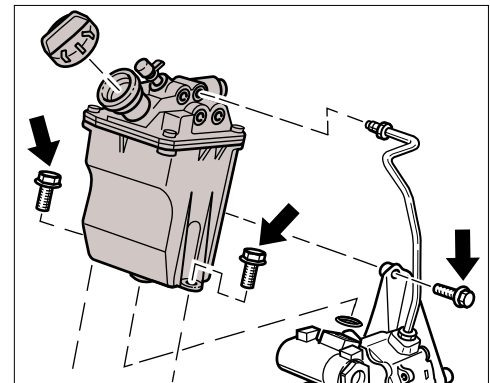
- 13 Loosen reservoir for hydraulic pump.
- 13.1 Empty the hydraulic pump reservoir ⇒ *Removing Pentosin -2-* through the filler opening using a suitable suction device ⇒ *Removing Pentosin -1-*.

Use only one suction device that is used exclusively for Pentosin, not for any other fluids.



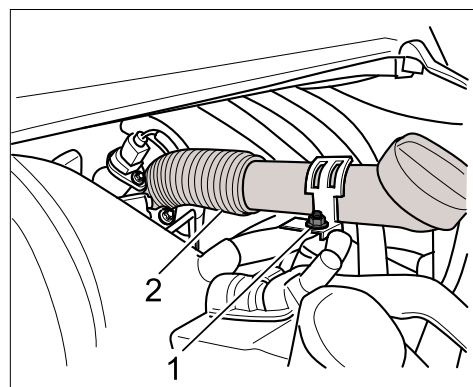
*Removing Pentosin*

- 13.2 Unscrew fastening screws on the reservoir ⇒ *Detaching reservoir -arrows-*. The side fastening screw on the holder can be fitted from the left or right side.
- 13.3 Place a sufficient number of lint-free cloths around the reservoir.
- 13.4 Lift the reservoir **with the connected return line** out of the hydraulic pump. Immediately close off the openings on the reservoir and on the hydraulic pump using a suitable stopper.
- 13.5 Place the reservoir on a protective cover. Soak up the remaining fluid using lint-free cloths.



*Detaching reservoir*

- 14 Loosen oil filler pipe. To do this, unscrew and remove fastening nut ⇒ *Loosening oil filler pipe -1-* and press oil filler pipe ⇒ *Loosening oil filler pipe -2-* aside slightly.



*Loosening oil filler pipe*

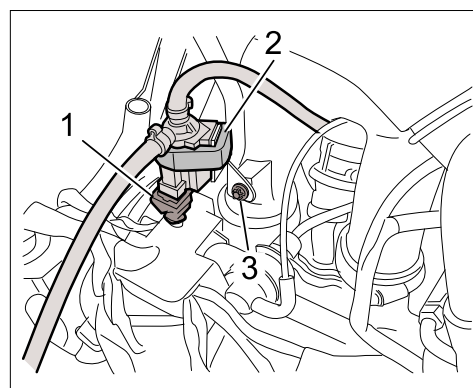
- 15 Remove oil filler pipe holder and exhaust flap control valve.

15.1 Release and pull off electric plug connection ⇒ *Loosening exhaust flap control valve -1-* on the control valve.

15.2 Pull control valve with rubber element ⇒ *Loosening exhaust flap control valve -2-* off the holder.

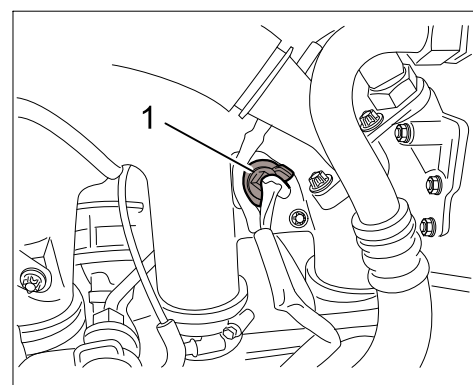
The vacuum hoses remain connected.

15.3 Unscrew fastening screws ⇒ *Loosening exhaust flap control valve -3-* and remove oil filler pipe holder.



*Loosening exhaust flap control valve*

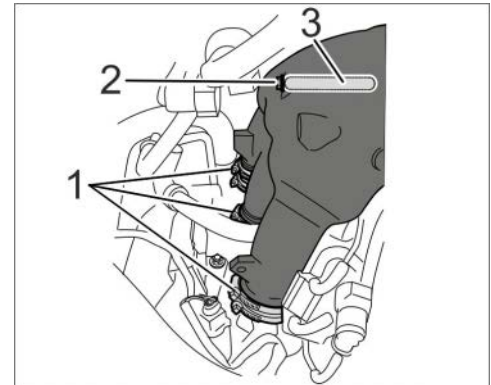
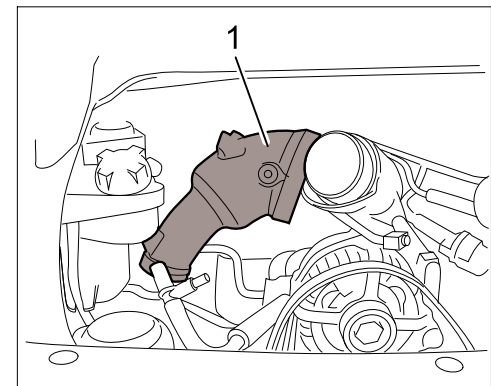
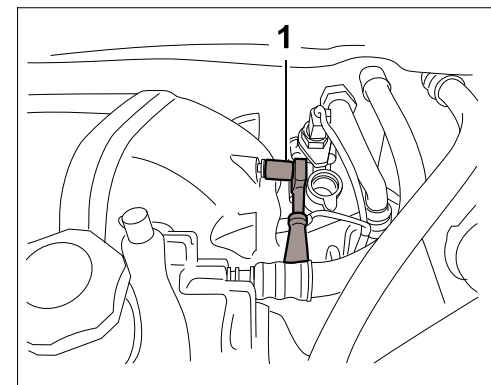
- 16 Pull engine compartment temperature sensor ⇒ *Pulling off engine compartment temperature sensor -1-* off the intake-air distributor for cylinder bank 4-6.



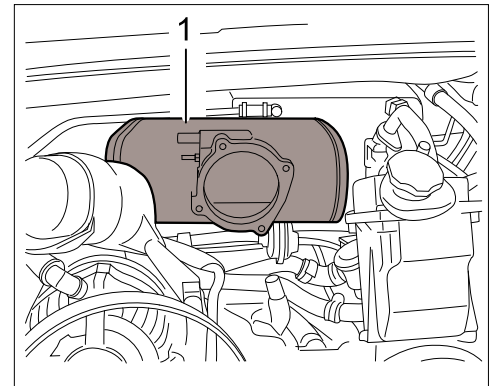
*Pulling off engine compartment temperature sensor*

**Removing center intake-air distributor**

- Procedure:
- 1 Remove intake-air distributor for cylinder bank 1-3.
    - 1.1 Loosen clamps ⇒ *Loosening intake-air distributor 1-3-1-* on the rubber sleeves.
    - 1.2 Unscrew fastening screw with sealing ring ⇒ *Loosening intake-air distributor 1-3-2-*. Make sure that the sleeve ⇒ *Loosening intake-air distributor 1-3-3-* does not fall into the intake duct when removing the intake-air distributor (**only for GT3 RS 4.0**).
    - 1.3 Pull intake-air distributor for cylinder bank 1-3 ⇒ *Removing intake-air distributor 1-3-1-* off the centre intake-air distributor and rubber sleeves. Close off openings on the intake-air distributor immediately using suitable stoppers.
    - 1.4 Guide intake-air distributor for cylinder bank 1-3 past the oil-filter console and out of the engine compartment.
  - 2 Unscrew fastening screw with sealing ring ⇒ *Loosening intake-air distributor 4-6-1-* on the intake-air distributor for cylinder bank 4-6.

*Loosening intake-air distributor 1-3**Removing intake-air distributor 1-3**Loosening intake-air distributor 4-6*

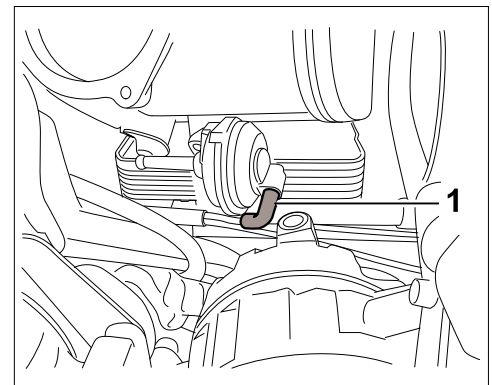
- 3 Pull center intake-air distributor ⇒ *Loosening center intake-air distributor -1-* out of the intake-air distributor for cylinder bank 4–6.



*Loosening center intake-air distributor*

- 3.1 Pull vacuum lines ⇒ *Pulling off vacuum line -1-* off the vacuum units on the center intake-air distributor.

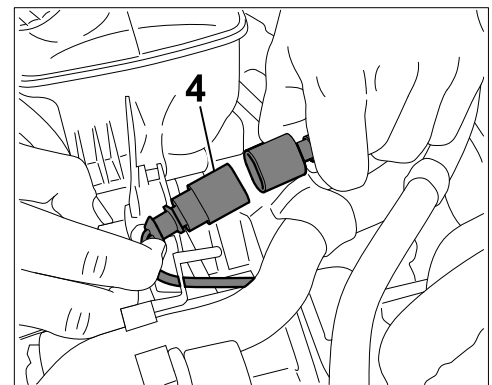
- 3.2 Then set the center intake-air distributor down on the left side of the engine.



*Pulling off vacuum line*

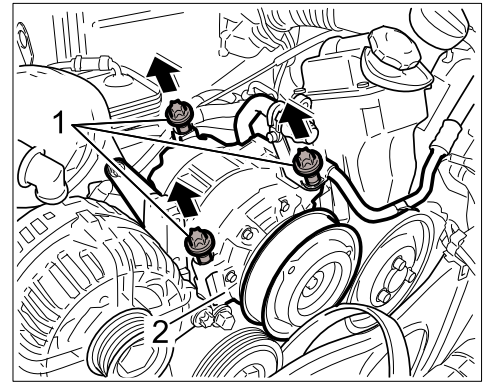
- 4 Disconnect air-conditioning compressor. The air conditioning system remains closed.

- 4.1 Disconnect electric plug connection ⇒ *Disconnecting plug connection for air-conditioning compressor -4-*.



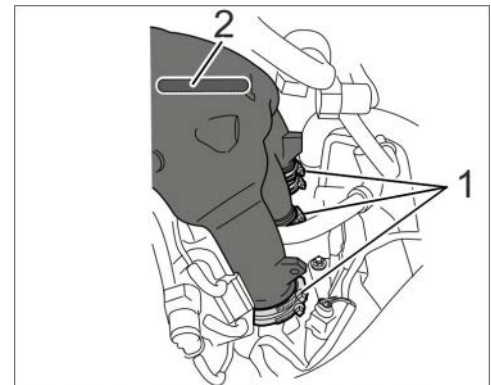
*Disconnecting plug connection for air-conditioning compressor*

- 4.2 Unscrew fastening screws ⇒ *Loosening air-conditioning compressor -1-* on the air-conditioning compressor ⇒ *Loosening air-conditioning compressor -2-* (⇒ *Loosening air-conditioning compressor -arrows-*).
- 4.3 Lift the air-conditioning compressor with the connected lines out of the mount and place them on a protective cover. Secure it if necessary.



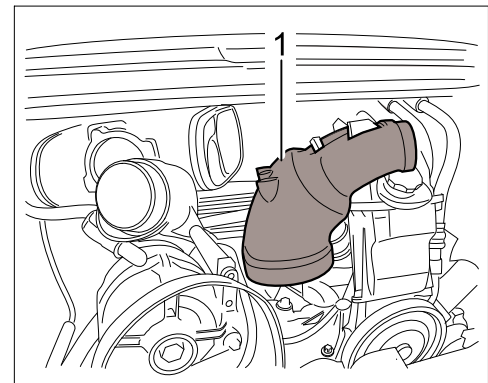
*Loosening air-conditioning compressor*

- 5 Remove intake-air distributor for cylinder bank 4-6.
- 5.1 Loosen and pull off clamps ⇒ *Loosening intake-air distributor 4-6 -1-* on the rubber sleeves. Make sure that the sleeve ⇒ *Loosening intake-air distributor 4-6 -2-* does not fall into the intake duct when removing the intake-air distributor (**only for GT3 RS 4.0**).



*Loosening intake-air distributor 4-6*

- 5.2 Swivel intake-air distributor for cylinder bank 4-6 ⇒ *Removing intake-air distributor 4-6 -1-* anti-clockwise and guide it out of the engine compartment. Close off openings on the intake-air distributor immediately using suitable stoppers.



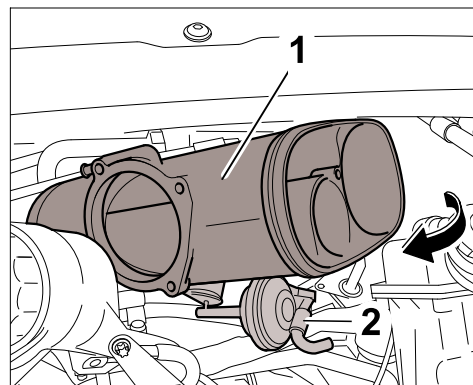
*Removing intake-air distributor 4-6*



**Information**

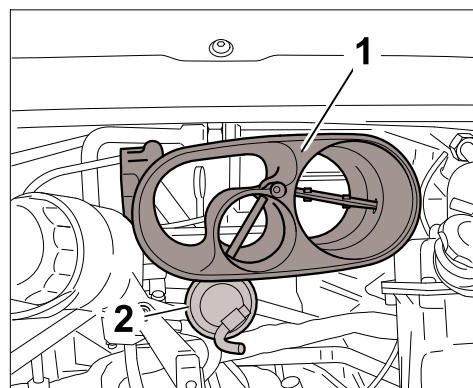
Be careful of the vacuum units when removing the center intake-air distributor.

- 6 Remove center intake-air distributor.
  - 6.1 Turn center intake-air distributor ⇒ *Turning center intake-air distributor -1-* behind the oil-filter console approx. 90 degrees clockwise ⇒ *Turning center intake-air distributor -arrow-*.  
Be careful of the vacuum units ⇒ *Turning center intake-air distributor -2-* while doing this.



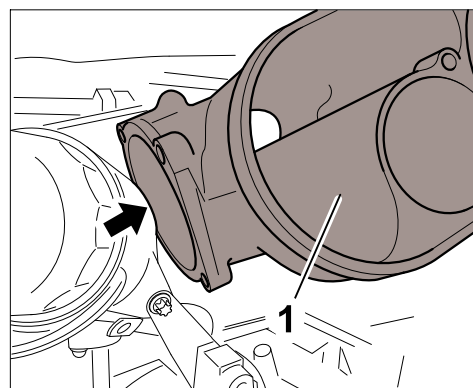
*Turning center intake-air distributor*

Position of center intake-air distributor turned by 90 degrees ⇒ *Center intake-air distributor turned.*



*Center intake-air distributor turned*

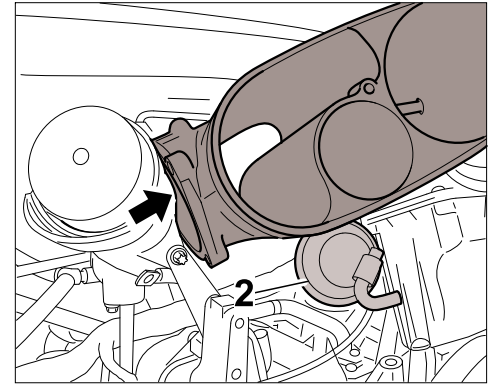
- 6.2 Turn center intake-air distributor ⇒ *Tilting center intake-air distributor -1-* so that the throttle housing flange is parallel to the oil-filter console ⇒ *Tilting center intake-air distributor -arrow-*.



*Tilting center intake-air distributor*

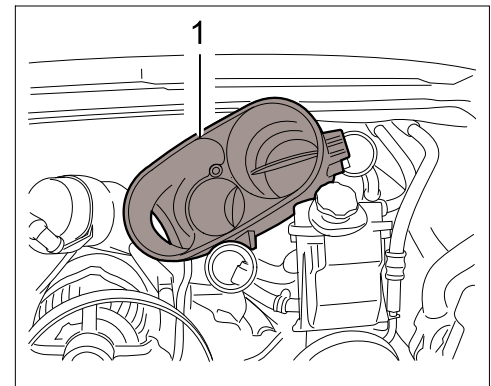
- 6.3 Guide center intake-air distributor in a slight curve past the oil-filter console ⇒ *Center intake-air distributor on oil-filter console -arrow-* and tilt it slightly.

When doing so, be careful of the vacuum units ⇒ *Center intake-air distributor on oil-filter console -2-*.



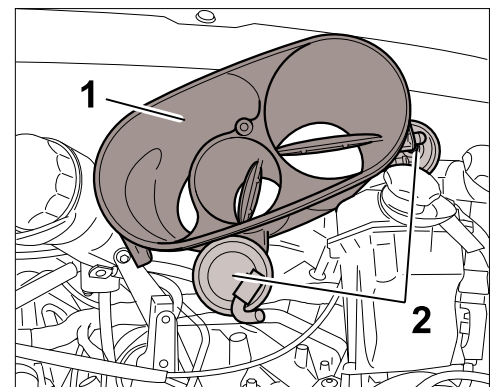
*Center intake-air distributor on oil-filter console*

Position of center intake-air distributor ⇒ *Turning central intake-air distributor and guiding it out of the engine compartment -1-* before removal ⇒ *Turning central intake-air distributor and guiding it out of the engine compartment.*



*Turning central intake-air distributor and guiding it out of the engine compartment*

- 6.4 Guide center intake-air distributor ⇒ *Removal position of center intake-air distributor -1-* out of the engine compartment. Be careful of the vacuum units ⇒ *Removal position of center intake-air distributor -2-* when doing this.



*Removal position of center intake-air distributor*

### Installing center intake-air distributor

Procedure: 1 Remove stoppers from the intake openings.

- 2 Clean dirt and grease off the sealing faces before assembly.



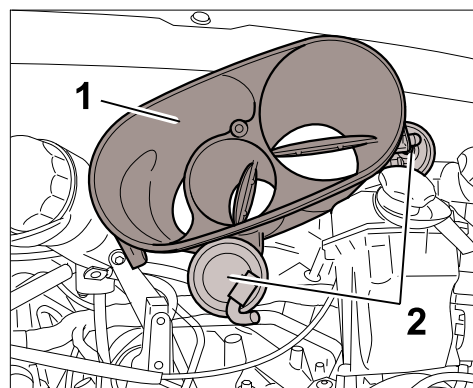
**Information**

- Use new O-rings and rubber sleeves.
  - Grease O-rings and rubber sleeves with Klüber Syntheso Glep lubricant.
- 3 Fit O-rings on the **new** center intake-air distributor, Part No. **000.043.208.04**.
  - 4 Insert center intake-air distributor.

- 4.1 Guide center intake-air distributor ⇒ *Installation position of center ntake-air distributor -1-* into the position shown in the engine compartment.

When doing so, be careful of the vacuum units ⇒ *Installation position of center ntake-air distributor -2-*.

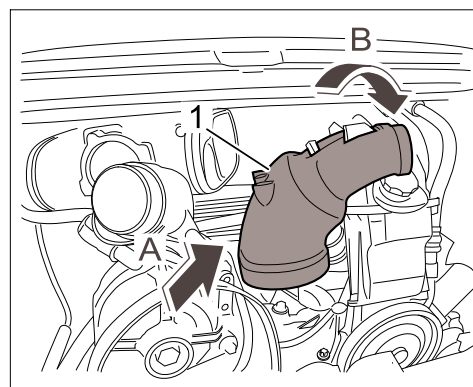
- 4.2 Turn center intake-air distributor 90 degrees counter-clockwise and set it down on the left side of the engine.



*Installation position of center ntake-air distributor*

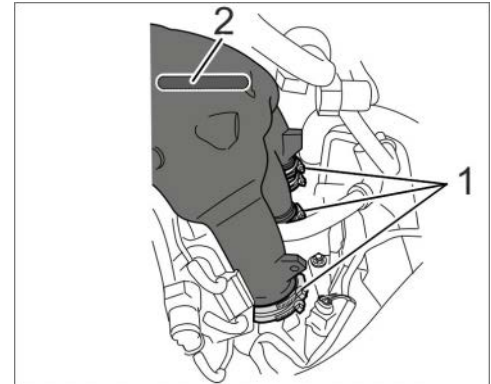
- 5 Install intake-air distributor for cylinder bank 4-6.

- 5.1 Guide intake-air distributor for cylinder bank 4-6 ⇒ *Installing intake-air distributor 4-6 -1-* into the position shown in the engine compartment ⇒ *Installing intake-air distributor 4-6 -arrow A-* and turn it into installation position ⇒ *Installing intake-air distributor 4-6 -arrow B-*.



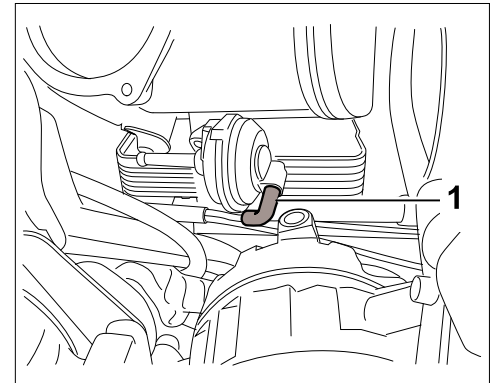
*Installing intake-air distributor 4-6*

- 5.2 Position sleeve  $\Rightarrow$  *Securing intake-air distributor 4-6-2* inside the bore of the intake-air distributor for cylinder bank 4-6 **(only for GT3 RS 4.0)**.
- 5.3 Position intake-air distributor for cylinder bank 4-6 in the **new** rubber sleeves and tighten the clamps  $\Rightarrow$  *Securing intake-air distributor 4-6-1*.  
**Tightening torque 2.5 Nm (2 ftlb.)**



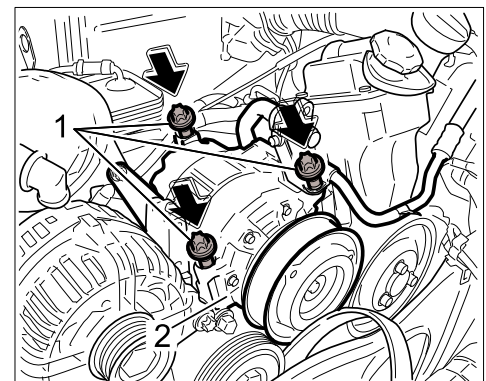
*Securing intake-air distributor 4-6*

- 6 Connect vacuum lines  $\Rightarrow$  *Connecting vacuum line to vacuum unit -1-* to the vacuum units on the center intake-air distributor.



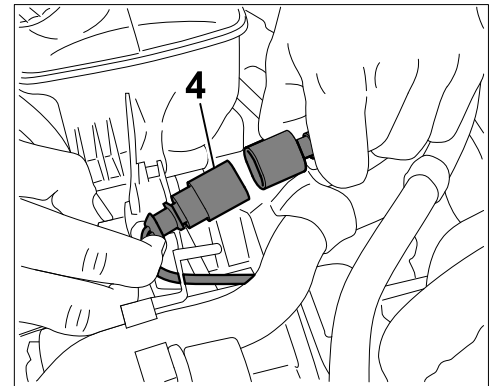
*Connecting vacuum line to vacuum unit*

- 7 Fit air-conditioning compressor.
- 7.1 Insert air-conditioning compressor  $\Rightarrow$  *Installing air-conditioning compressor -2-* into the mount and align line bracket on the air-conditioning compressor.
- 7.2 Screw in and tighten fastening screws  $\Rightarrow$  *Installing air-conditioning compressor -1-* on the air-conditioning compressor  $\Rightarrow$  *Installing air-conditioning compressor -arrows-*.  
**Tightening torque 23 Nm (17 ftlb.)**



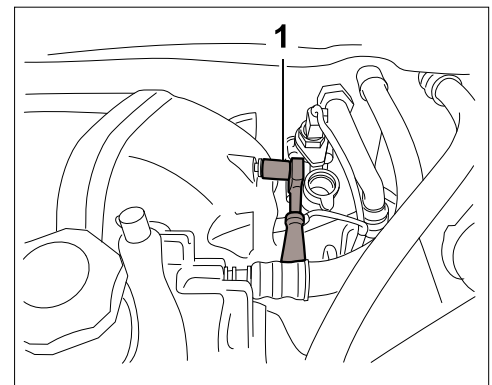
*Installing air-conditioning compressor*

- 7.3 Plug in electric plug connection ⇒ *Plugging in plug connection for air-conditioning compressor -4-* until it locks with an audible click.



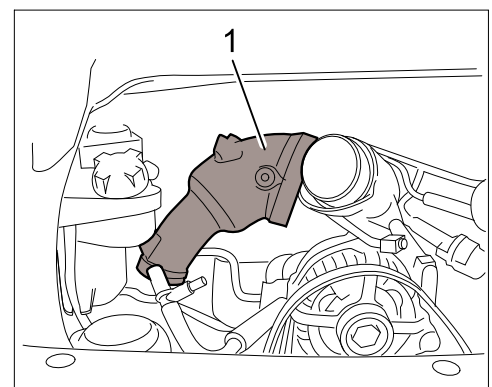
*Plugging in plug connection for air-conditioning compressor*

- 8 Secure center intake-air distributor.
  - 8.1 Fit center intake-air distributor into the intake-air distributor for cylinder bank 4–6.
  - 8.2 Tighten fastening screw ⇒ *Securing intake-air distributor 4-6 -1-* with a **new** sealing ring.  
**Tightening torque 10 Nm (7.5 ftlb.)**



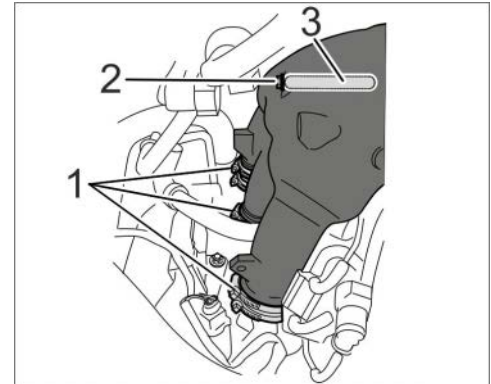
*Securing intake-air distributor 4-6*

- 9 Install intake-air distributor for cylinder bank 1-3.
  - 9.1 Guide intake-air distributor ⇒ *Installing intake-air distributor 1-3 -1-* at the position shown past the oil-filter console.



*Installing intake-air distributor 1-3*

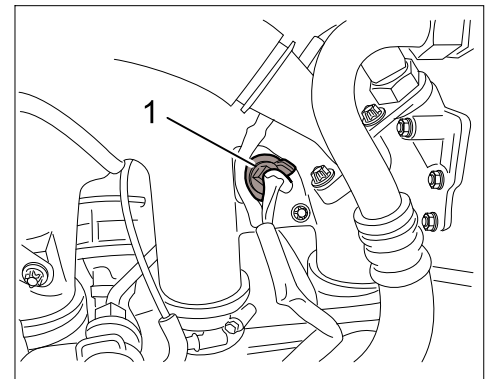
- 9.2 Position sleeve  $\Rightarrow$  *Securing intake-air distributor 1-3-3-* inside the bore of the intake-air distributor for cylinder bank 1-3 **(only for GT3 RS 4.0)**.
- 9.3 Position intake-air distributor for cylinder bank 1-3 in the **new** rubber sleeves and fit onto the centre intake-air distributor.
- 9.4 Tighten clamps  $\Rightarrow$  *Securing intake-air distributor 1-3-1-*. **Tightening torque 2.5 Nm (2 ftlb.)**
- 9.5 Tighten fastening screw  $\Rightarrow$  *Securing intake-air distributor 1-3-2-* with a **new** sealing ring.  
**Tightening torque 10 Nm (7.5 ftlb.)**



*Securing intake-air distributor 1-3*

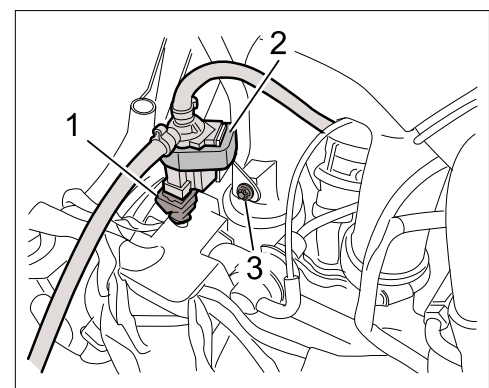
### Subsequent work

- Procedure: 1 Fit engine compartment temperature sensor  $\Rightarrow$  *Securing engine compartment temperature sensor -1-* on the intake-air distributor for cylinder bank 4-6.



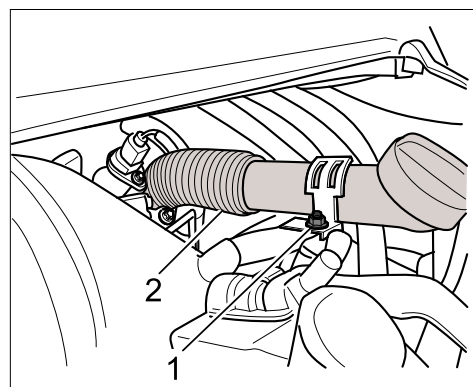
*Securing engine compartment temperature sensor*

- 2 Fit oil filler pipe holder and exhaust flap control valve.
- 2.1 Fit and tighten holder using fastening screws  $\Rightarrow$  *Securing exhaust flap control valve -3-*.  
**Tightening torque 10 Nm (7.5 ftlb.)**
- 2.2 Push control valve with rubber element  $\Rightarrow$  *Securing exhaust flap control valve -2-* onto the holder.
- 2.3 Plug in electric plug connection  $\Rightarrow$  *Securing exhaust flap control valve -1-*.



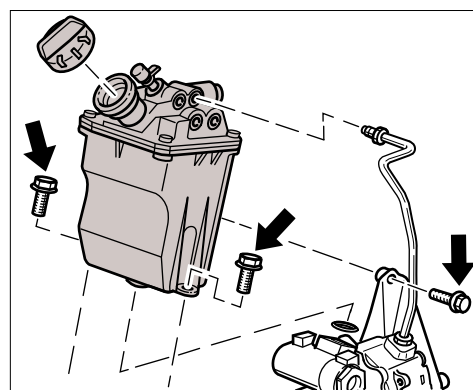
*Securing exhaust flap control valve*

- 3 Position oil filler pipe ⇒ *Securing oil filler pipe -2-* on the holder and secure with the fastening nut ⇒ *Securing oil filler pipe -1-*.  
**Tightening torque 10 Nm (7.5ftlb.)**



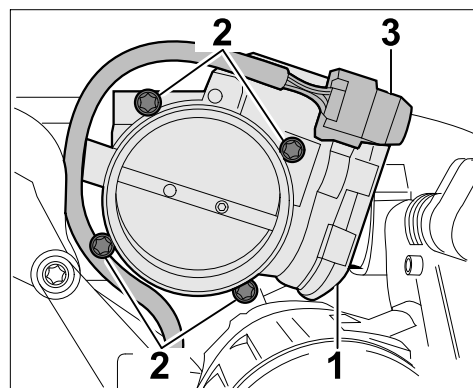
*Securing oil filler pipe*

- 4 Install reservoir for hydraulic pump.
  - 4.1 Remove stoppers.
  - 4.2 **Coat new** sealing ring with Pentosin and fit it on the reservoir.
  - 4.3 Press the reservoir into the hydraulic pump and tighten the fastening screws ⇒ *Securing reservoir -arrows-*.  
M8 fastening screws **Tightening torque 23 Nm (17ftlb.)**  
M6 fastening screw **Tightening torque 10 Nm (7.5ftlb.)**



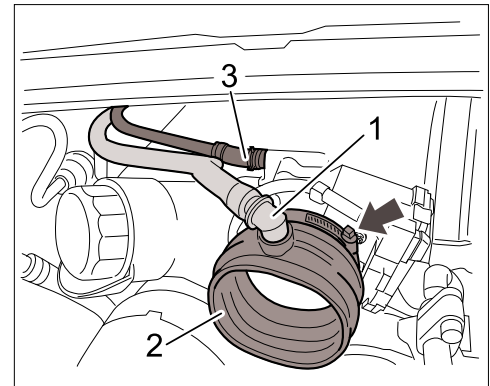
*Securing reservoir*

- 5 Install throttle housing.
  - 5.1 Fit throttle housing ⇒ *Installing throttle housing -1-* on the center intake-air distributor using a **new** seal and secure with the fastening screws ⇒ *Installing throttle housing -2-*.  
**Tightening torque 10 Nm (7.5 ftlb.)**
  - 5.2 Plug in electric plug connection ⇒ *Installing throttle housing -3-*.



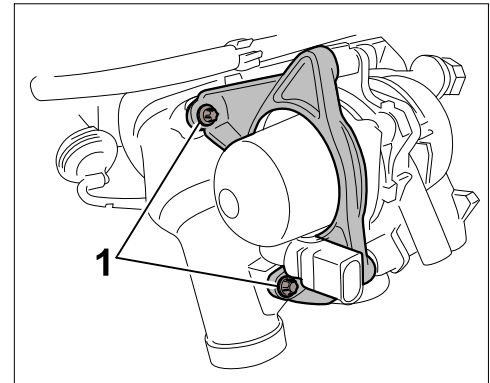
*Installing throttle housing*

- 6 Fit vent lines from the oil tank to the center intake-air distributor.
- 6.1 Fit vent line  $\Rightarrow$  *Securing vent lines -1-* with the rubber sleeve  $\Rightarrow$  *Securing vent lines -2-* on the throttle housing and secure with the clamp  $\Rightarrow$  *Securing vent lines -arrow-*.
- 6.2 Fit vent line  $\Rightarrow$  *Securing vent lines -3-* on the center intake-air distributor and secure with the spring band clamp.



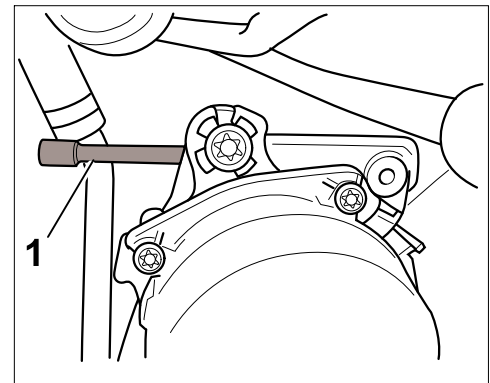
*Securing vent lines*

- 7 Install secondary-air pump with holder.
- 7.1 Position secondary-air pump and holder on the intake-air distributor for cylinder bank 1-3.



*Installing secondary-air pump*

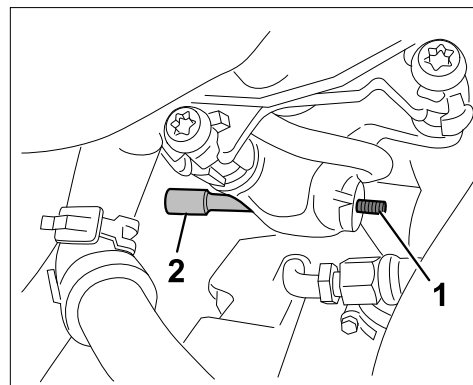
- 7.2 Fit upper M6 fastening screw on the holder and tighten using the recommended tool.
- Recommended tool: 1/4-inch socket-wrench insert with a magnet (Torx E10) and long extension  $\Rightarrow$  *Upper screw on holder -1-*.  
**Tightening torque 10 Nm (7.5 ftlb.)**



*Upper screw on holder*

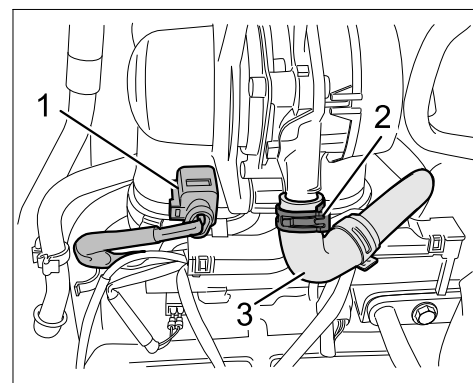
- 7.3 Fit lower M6 fastening screw ⇒ *Lower screw on holder -1-* on the holder and tighten using the recommended tool ⇒ *Lower screw on holder -2-*.

**Tightening torque 10 Nm (7.5 ftlb.)**



*Lower screw on holder*

- 7.4 Plug in electric plug connection ⇒ *Installing secondary-air pump -1-* on the secondary-air pump.
- 7.5 Fit secondary-air line ⇒ *Installing secondary-air pump -2-* on the secondary-air pump and secure with the spring band clamp.

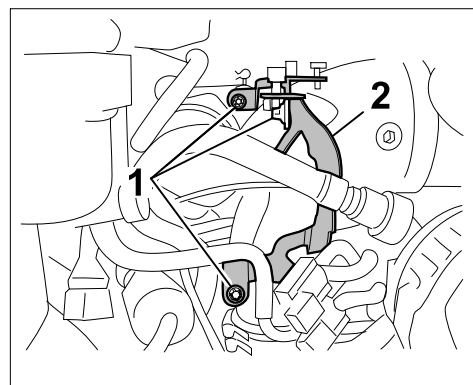


*Installing secondary-air pump*

- 8 Fit holders for vent lines and control valves at the intake-air distributor for cylinder bank 1-3.

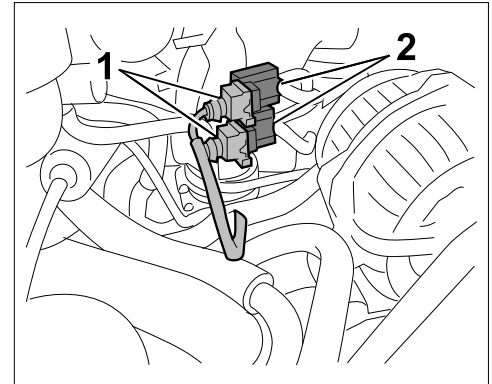
- 8.1 Secure the holder ⇒ *Securing holders -2-* with the fastening screws ⇒ *Securing holders -1-*.

**Tightening torque 10 Nm (7.5ftlb.)**



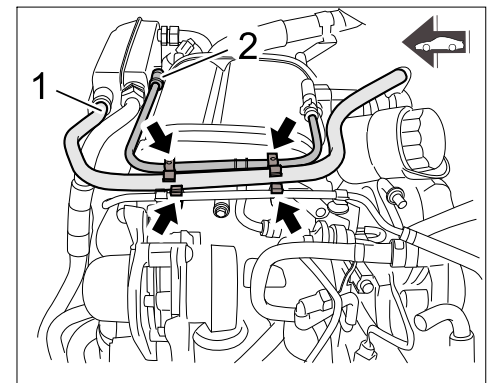
*Securing holders*

- 8.2 Clip in control valves ⇒ *Clipping in control valves -2-* at the holder.



*Clipping in control valves*

- 8.3 Clip in vent line ⇒ *Clipping in vent lines -1-* and vent line ⇒ *Clipping in vent lines -2-* at the holder ⇒ *Clipping in vent lines -arrows-*.



*Clipping in vent lines*

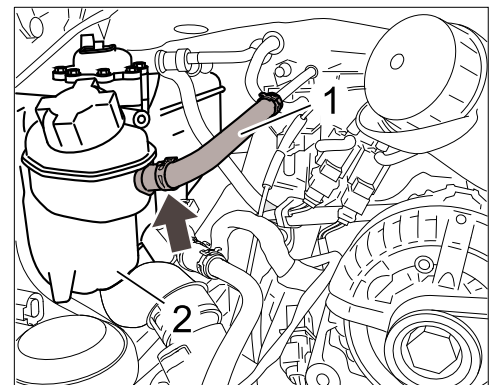
- 9 Join connections in the engine compartment at the left.

- 9.1 Secure breather hose on the coolant reservoir.

- 9.1.1 Push breather hose ⇒ *Securing breather hose -1-* onto the connection piece on the coolant reservoir ⇒ *Securing breather hose -2-*.

- 9.1.2 Secure the breather hose with the spring band clamp ⇒ *Securing breather hose -arrow-*.

- 9.1.3 Remove hose clamping pliers.

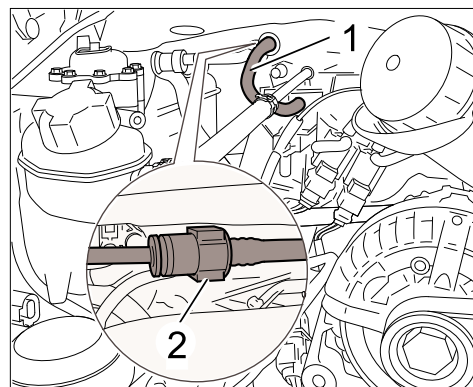


*Securing breather hose*

9.2 Install tank vent valve.

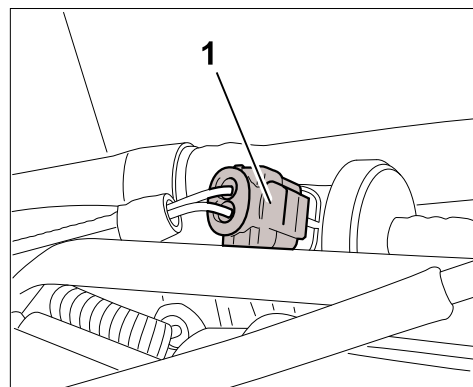
9.2.1 Clip tank vent valve ⇒ *Securing tank vent valve -1-* onto the vent line holder.

9.2.2 Connect tank vent line at the plug-in coupling ⇒ *Securing tank vent valve -2-*.



*Securing tank vent valve*

9.2.3 Plug in electric plug connection ⇒ *Plug connection for tank vent valve -1-* on the tank vent valve.



*Plug connection for tank vent valve*

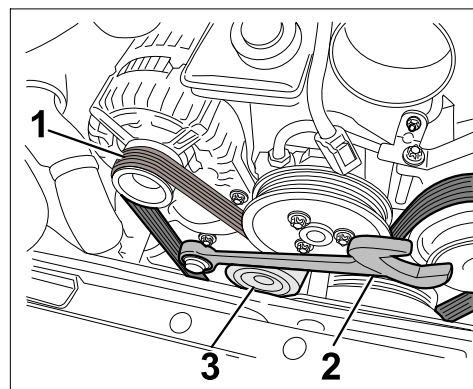


**Information**

The drive belt must be positioned correctly on all pulleys.

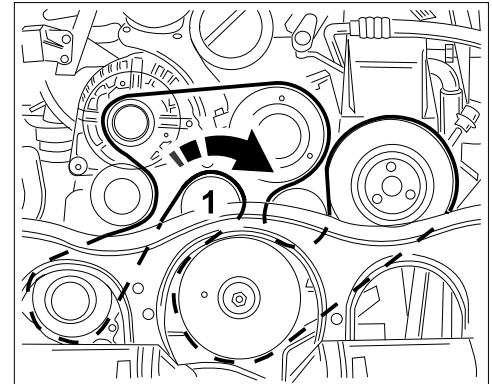
10 Fit the drive belt.

10.1 Turn the belt tensioner ⇒ *Tensioning drive belt -3-* clockwise as far as it will go using an open-ended wrench ⇒ *Tensioning drive belt -2-* and at the same time place the drive belt ⇒ *Tensioning drive belt -1-* on the tensioning roller under the generator.



*Tensioning drive belt*

- 10.2 Allow the belt tensioner  $\Rightarrow$  *Drive belt tensioning roller -1-* to slide back slowly into tensioning position  $\Rightarrow$  *Drive belt tensioning roller -arrow-*.
- 10.3 Check belt routing and position.



*Drive belt tensioning roller*

**WARNING**

**Danger of objects or loads falling down**

- Risk of squashing or crushing
- $\Rightarrow$  Secure components to prevent them from falling down.

- 11 Raise the engine to installation position.
- 11.1 Fit and tighten fastening nuts on the engine mounts.  
**Tightening torque 85 Nm (63ftlb.)**
- 11.2 Lower the jack with **9111/3 - engine retainer plate** and move it out of the work area.
- 12 Install air cleaner housing  $\Rightarrow$  *Workshop Manual '242519 Removing and installing air cleaner housing - section on "Installing"*.

**CAUTION**

**Risk of material damage if too much Pentosin is used or if Pentosin gets onto the coolant hoses when filling or topping up.**

- Only fill Pentosin (see Parts Catalog) into the supply tank.
- To avoid overfilling and thus overflowing, always observe the specifications for checking hydraulic fluid from the power-steering system and clutch booster circuit.
- Multiple steering operations (manoeuvring) and/or actuating the clutch with the engine switched off will change the fluid level in the engine-compartment supply tank! The fluid level rises. In this case, the engine must be run for approx. 20 seconds immediately prior to the fluid level check.
- If coolant hoses come into contact with Pentosin, thoroughly clean them with water IMMEDIATELY.
- Replace visibly swollen coolant hoses!

- 13 Fill reservoir for hydraulic pump with Pentosin and check the power-steering fluid level ⇒ *Workshop Manual '480201 Checking power-steering fluid level'*.
- 14 Enter the workshop campaign in the Warranty and Maintenance booklet.

Attachment "B": **Claim Submission** - Workshop Campaign WC51  
 Warranty claims should be submitted via WWS/PQIS.  
 Open campaigns may be checked by using either the PIWIS Vehicle Information system or through PQIS Job Creation.  
 Labor, parts, and sublet will be automatically inserted when Technician is selected in WWS/PQIS. If necessary, the required part numbers will need to be manually entered into warranty system by the dealer administrator.

Scope 1: **911 GT3 RS 4.0 (997)**



**Information**

The specified working time was determined specifically for carrying out this campaign and may differ from the working times published in the Labor Operation List in PIWIS.

**Working time:**

Replacing center intake-air distributor	Labor time: <b>227 TU</b>
Includes:	
Loosening and securing engine mount	
Removing and installing air cleaner	
Removing and installing throttle housing	
Loosening and securing tank vent valve	
Removing and installing secondary-air pump	
Removing and installing intake-air distributor	
Loosening and securing oil filler neck	
Loosening and securing air-conditioning compressor	
Loosening and securing reservoir for hydraulic pump	

**Materials required:**

000.043.208.04	Distributor tube	1 ea.
000.043.209.05	Rubber sleeve	6 ea.
900.331.056.40	O-ring, 180 x 3 (intake-air distributor)	2 ea.
N .013.804.2	Sealing ring, 6 x 10 (intake-air distributor)	2 ea.
997.110.319.90	Seal (throttle housing)	1 ea.
999.707.204.40	Sealing ring, 12.5 x 2 (hydraulic pump)	1 ea.
000.043.206.56	Pentosin CHF 202	1 ea.
000.043.204.68	Grease	0.02 ea.

⇒ Damage code WC51 066 000 2

References: ⇒ Workshop Manual '242519 Removing and installing air cleaner housing'  
⇒ Workshop Manual '480201 Checking fluid level for power-assisted steering'

Scope 2: **911 GT3 RS (997)**



### Information

The specified working time was determined specifically for carrying out this campaign and may differ from the working times published in the Labor Operation List in PIWIS.

#### Working time:

Replacing center intake-air distributor

Labor time: **227 TU**

Includes:

- Loosening and securing engine mount
- Removing and installing air cleaner
- Removing and installing throttle housing
- Loosening and securing tank vent valve
- Removing and installing secondary-air pump
- Removing and installing intake-air distributor
- Loosening and securing oil filler neck
- Loosening and securing air-conditioning compressor
- Loosening and securing reservoir for hydraulic pump

#### Materials required:

000.043.208.04	Distributor tube	1 ea.
000.043.208.05	Rubber sleeve	6 ea.
900.331.056.40	O-ring, 180 x 3 (intake-air distributor)	2 ea.
N .013.804.2	Sealing ring, 6 x 10 (intake-air distributor)	2 ea.
997.110.319.90	Seal (throttle housing)	1 ea.
999.707.204.40	Sealing ring, 12.5 x 2 (hydraulic pump)	1 ea.
000.043.206.56	Pentosin CHF 202	1 ea.
000.043.204.68	Grease	0.02 ea.

⇒ Damage code WC51 066 000 2

References: ⇒ Workshop Manual '242519 Removing and installing air cleaner housing'

⇒ Workshop Manual '480201 Checking fluid level for power-assisted steering'

**Important Notice:** Technical Bulletins issued by Porsche Cars North America, Inc. are intended only for use by professional automotive technicians who have attended Porsche service training courses. They are written to inform those technicians of conditions that may occur on some Porsche vehicles, or to provide information that could assist in the proper servicing of a vehicle. Porsche special tools may be necessary in order to perform certain operations identified in these bulletins. Use of tools and procedures other than those Porsche recommends in these bulletins may be detrimental to the safe operation of your vehicle, and may endanger the people working on it. Properly trained Porsche technicians have the equipment, tools, safety instructions, and know-how to do the job properly and safely. If a particular condition is described, do not assume that the bulletin applies to your vehicle, or that your vehicle will have that condition. See your authorized Porsche Dealer for the latest information about whether a particular technical bulletin applies to your vehicle. Part numbers listed in these bulletins are for reference only. Always check with your authorized Porsche dealer to verify the current and correct part numbers. The work procedures updated electronically in the Porsche PIWIS diagnostic and testing device take precedence and, in the event of a discrepancy, the work procedures in the PIWIS Tester are the ones that must be followed.

© Porsche Cars North America, Inc.

---

Dealership	Service Manager	_____	Shop Foreman	_____	Service Technician	_____	_____	_____	_____
Distribution									
Routing	Asst. Manager	_____	Warranty Admin.	_____	Service Technician	_____	_____	_____	_____

---

Dr. Ing. h.c. F. Porsche AG is the owner of numerous trademarks, both registered and unregistered, including without limitation the Porsche Crest®, Porsche®, Boxster®, Carrera®, Cayenne®, Cayman®, Panamera®, Speedster®, Spyder®, 918 Spyder®, Tiptronic®, VarioCam®, PCM®, PDK®, 911®, 4S®, FOUR, UNCOMPROMISED.® and the model numbers and the distinctive shapes of the Porsche automobiles such as, the federally registered 911 and Boxster automobiles. The third party trademarks contained herein are the properties of their respective owners. Porsche Cars North America, Inc. believes the specifications to be correct at the time of printing. Specifications, performance standards, standard equipment, options, and other elements shown are subject to change without notice. Some options may be unavailable when a car is built. Some vehicles may be shown with non-U.S. equipment. The information contained herein is for internal use only by authorized Porsche dealers and authorized users and cannot be copied or distributed. Porsche recommends seat belt usage and observance of traffic laws at all times.

Printed in the USA