



Situation: Detached or loose rear dock bumpers.

Corrective Action Summary: Replace mounting brackets.

Range of Units Affected: 2012 model year Reach walk-in vans. Contact Utilimaster Warranty Department to verify chassis VIN.

Parts Required: 23003512SK KIT BRACKETS RR DOCK BUMPERS

Part Number	Description	Qty.
22825521	BRACKET DOCK BMPR Z RETAIN PLATE BTM	(2)
22825515	BRACKET DOCK LOW	(1)
22825514	BRACKET DOCK BUMPER Z LOWER L	(1)
22825516	DOCK BUMPER Z RETAINING PLATE(UPPER)	(2)
22825567	BRACKET DOCK BUMPER ANGLE TOP	(2)
11601182-08W	NUT FLG M8-1.25 G8.8	(8)
UT29-BB1-015	BOLT M8-1.25 X 40 FLG G8.8 BZ PTCH	(8)
UT02-BB1-001	SCREW BT FLG SOCK M6-1.0 X 25 SS BLK (Extra)	(4)
11601215	U-NUT M6-1.0 .8-2.5G (Extra)	(4)
03104479	DECAL SERVICED JOB CODE	(1)
03103361-B011EN	Reach Rear Dock Bumpers Instructions	(1)

Tools Required:

- Drill with 11/32" bit
- Metric combination and ratchet sets
- Phillips head screwdriver
- Clamp

Inspection:

1. Read and understand all the instructions before starting the repair.
2. Validate the VIN and chassis with the notification. If any of the information does NOT match, contact Utilimaster Corporation before starting work.

Procedure



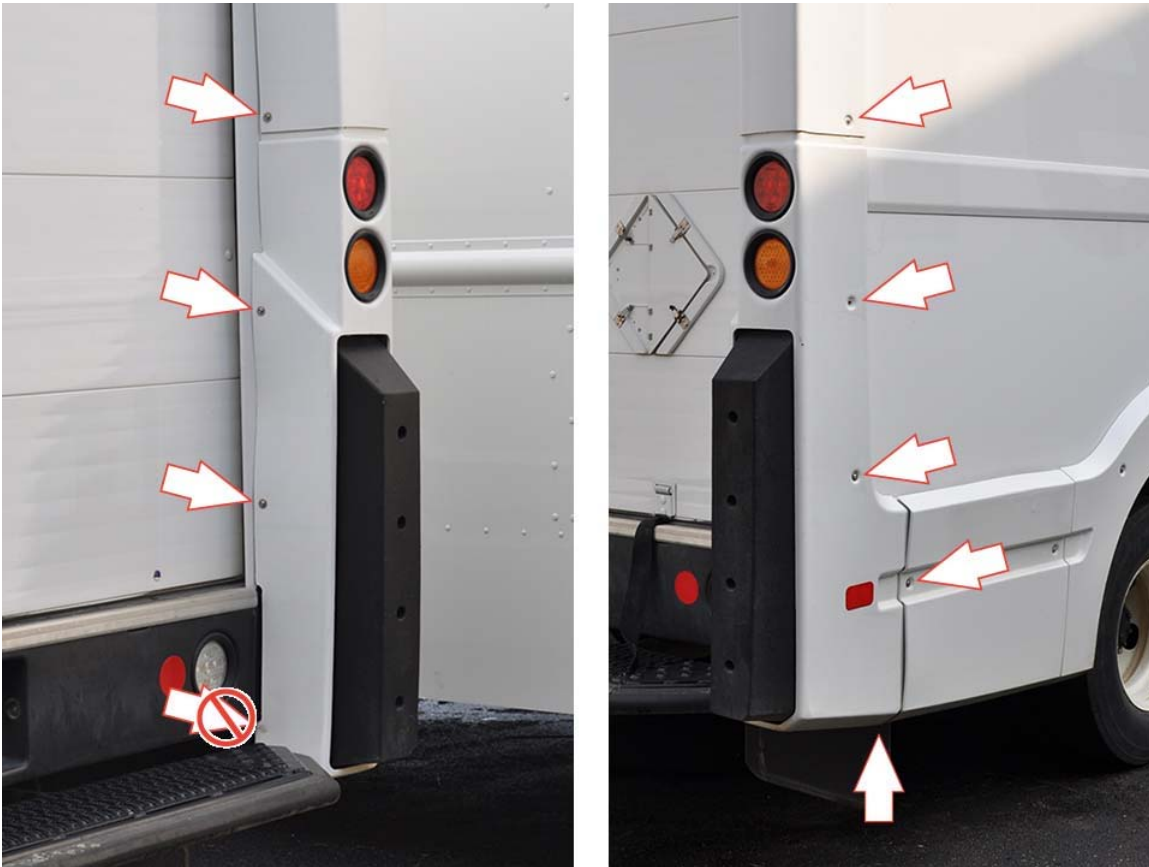
Always wear safety glasses and other proper protective equipment (gloves, hearing protection, etc.) as appropriate to the process.

NOTE: This procedure describes replacing the dock bumper mounting brackets on one side. Repeat on the opposite side.

NOTE: The UPPER cladding above the dock bumper does NOT need to be removed.

1. Separate the turn signal and brake light from the cladding by pushing them into the cladding cavity.
2. Release the lower post cladding by removing the bottom (2) M6 screws in the UPPER post cladding and the (6) M6 screws in LOWER post cladding.

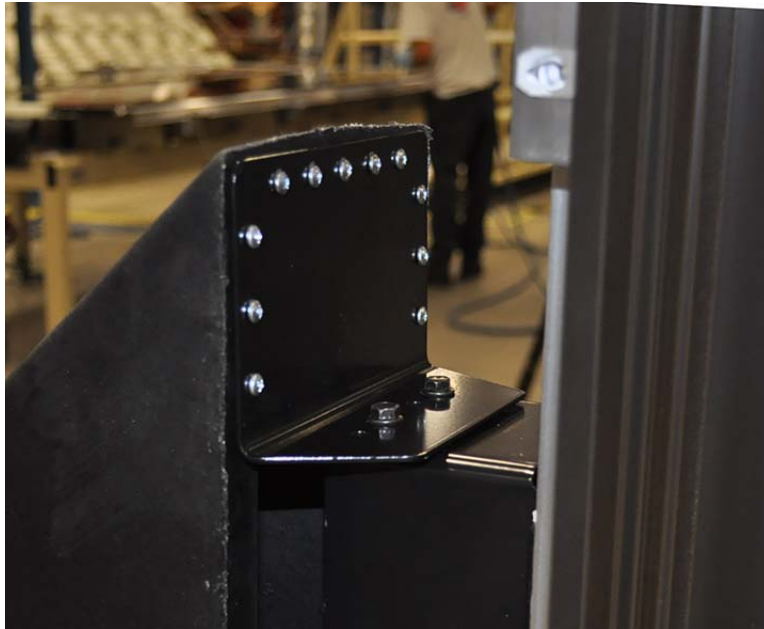
NOTE: There may be a hole left open on the inboard lower corner that does NOT get a fastener.



Cladding fasteners



3. Remove the (4) M6 bolts that hold the UPPER and LOWER bumper brackets to the rear structure. Keep these fasteners for reinstallation.

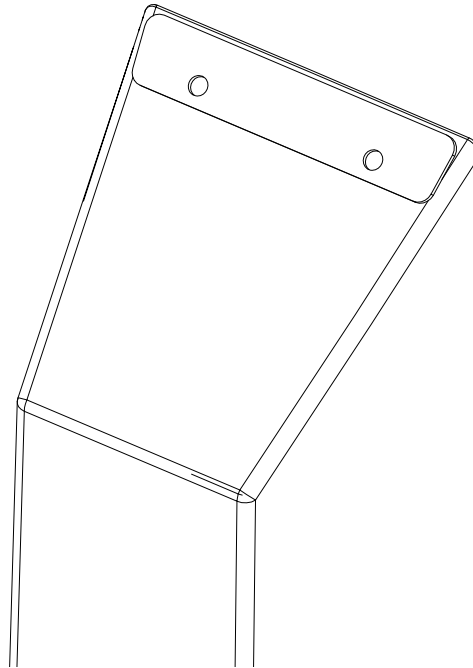


Original brackets and screws

4. Remove the #8 screws to release the bracket from the bumper and discard the brackets and screws.

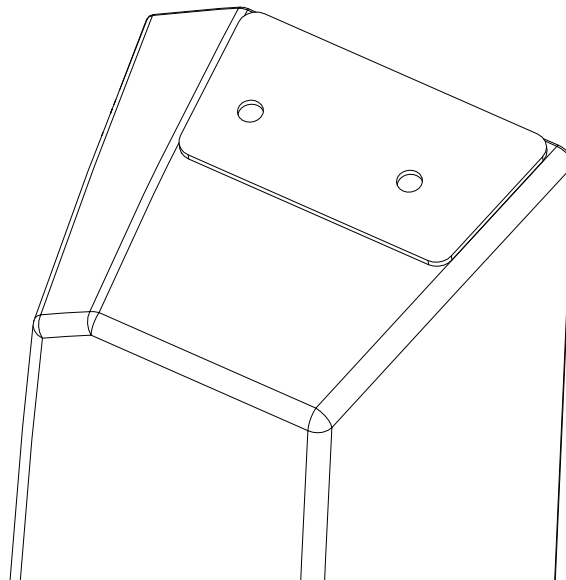


5. Align the (UPPER) Z-retaining plate on the top of the rubber dock bumper and clamp in place.



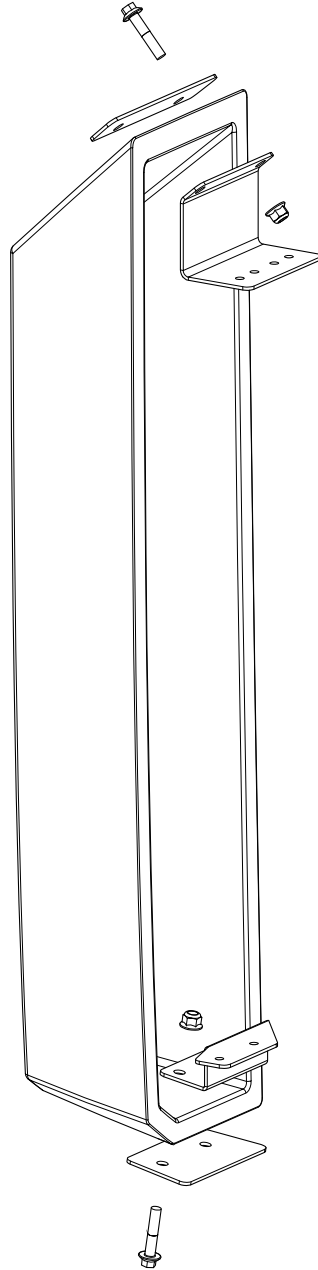
UPPER retaining plate (on top)

6. Use the holes in the plate as a guide to mark the hole locations.
7. Remove the plate and drill (2) 11/32" holes.
8. Align the LOWER Z-retaining plate on the bottom of the rubber dock bumper and clamp in place.



LOWER retaining plate (on bottom)

9. Use the holes in the plate as a guide to mark the hole locations.
10. Remove the plate and drill (2) 11/32" holes.
11. Secure the UPPER and LOWER plates and Z-brackets with (4) M8 fasteners.



Bumper assembly



Upper retaining plate and bracket configuration



Lower LH and RH bracket configurations

12. Secure the bumper assembly to the rear structure with the original M6 bolts.
13. Install the turn signal and brake light.
14. Install the lower post cladding.



Cladding snug against lower bolts (viewed from below)

15. Use Job Code 13-H5-15-I0 from this document to complete the SERVICED decal.
16. Adhere the decal to the upper right-hand corner of the driver's door pocket panel next to the bulkhead wall. Do NOT cover any previously applied decals.



SERVICED decal on driver's door pocket (cargo side)



Reach Dock Bumper Brackets Service Bulletin

For technical assistance contact Utilimaster.

Email: Warranty@Utilimaster.com

Phone: 574-848-2000

Mail or Express Service:

Fax: 574-848-2809

Utilimaster Corp.

Attn: Warranty Dept.

603 Earthway Blvd.

Bristol, IN 46507-9182, USA

Labor Allowance up to 1 hour Job Op Code: 13-H5-15-I0

Document Part Number: 03103361-B011EN Revision: A

This material is confidential and the property of Utilimaster. No part of this document may be photocopied, reproduced, or translated to another language without the prior written consent of Utilimaster. Utilimaster is a registered trademark of Utilimaster Corporation. Utilimaster attempts to provide information that is accurate, complete, and useful. All information contained in this document is based on the latest product information available at the time of publication. However, because of the Utilimaster policy of continual product improvement, Utilimaster reserves the right to amend the information in this document at any time without prior notice.