



Mack Trucks, Inc.
Greensboro, NC USA

Field Service Bulletin Trucks

Date	Group	No.	Release	Page
4.2013	565	001	01	1(4)

Brake Compressor Inlet Hose
LEU, MRU
Cummins ISL-G

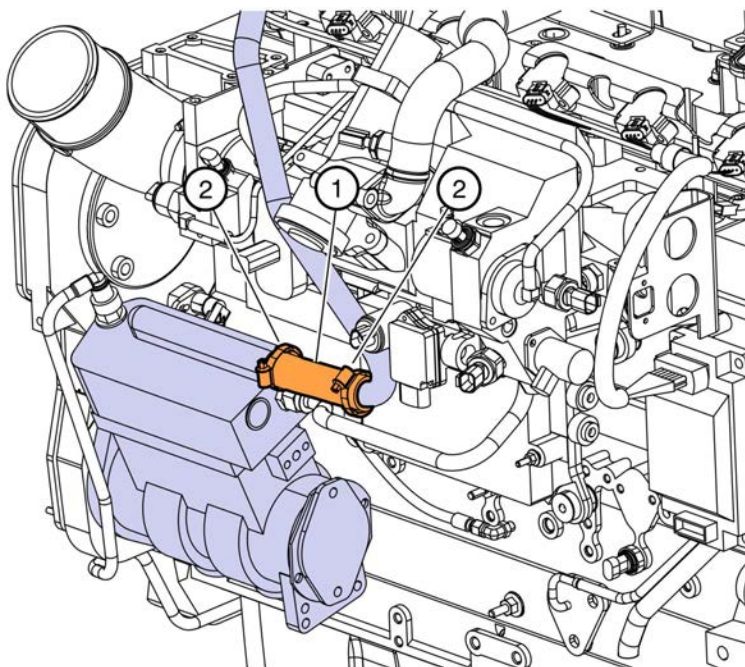
FSB 565-001, Brake Compressor Inlet Hose

(April 2013)

Some MRU and LEU trucks built between 06/28/2010 and 02/11/2013 with the Cummins ISL-G engine may experience a failure of the brake compressor air inlet hose where it attaches to the compressor. If this condition is present, replace the existing black rubber brake compressor inlet hose with a new silicone hose (part number 85137052) and two new clamps (part number 984995).

Note: Cut the new brake compressor inlet hose to length based on truck variant.

Note: This bulletin does not apply to MACK Trucks Australia.



W5080098

Required Parts

Brake Compressor Inlet Hose Parts			
Item	Description	Part Number	Qty
1	Brake Compressor Inlet Hose	85137052	1
2	Hose Clamp	984995	2

Procedure

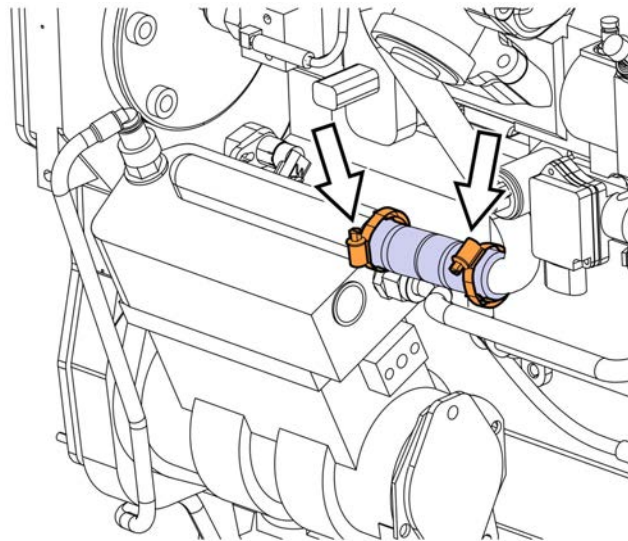
You must read and understand the precautions and guidelines in Service Information, group 50, "General Safety Practices, Engines" before performing this procedure. If you are not properly trained and certified in this procedure, ask your supervisor for training before you perform it.



DANGER

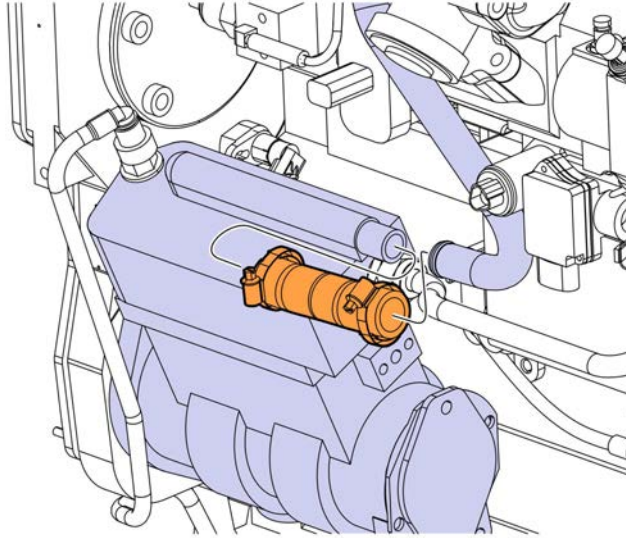
Do not attempt to repair or service this vehicle without having sufficient training, the correct service literature and the proper tools. Failure to follow this could make the vehicle unsafe and lead to serious personal injury or death.

- 1 Secure the vehicle for service by parking it on a flat level surface, apply the parking brake, chock the rear wheels, and place the transmission in neutral or park.
- 2 Disconnect all battery cables from the negative (ground) battery terminals to prevent personal injury from electrical shock and prevent damage to electrical components.
- 3 Secure any loose items in the cab to prevent damage to the dash or windshield when the cab is tilted. Unlock the pump and tilt the cab forward.
- 4 Loosen both hose clamps securing the existing brake compressor inlet hose to the air compressor and pipe.



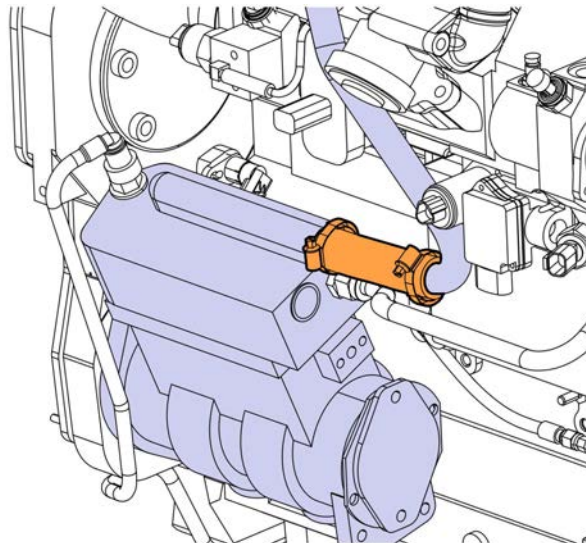
W5080099

- 5 Remove the existing brake compressor inlet hose and clamps from the air compressor and pipe.



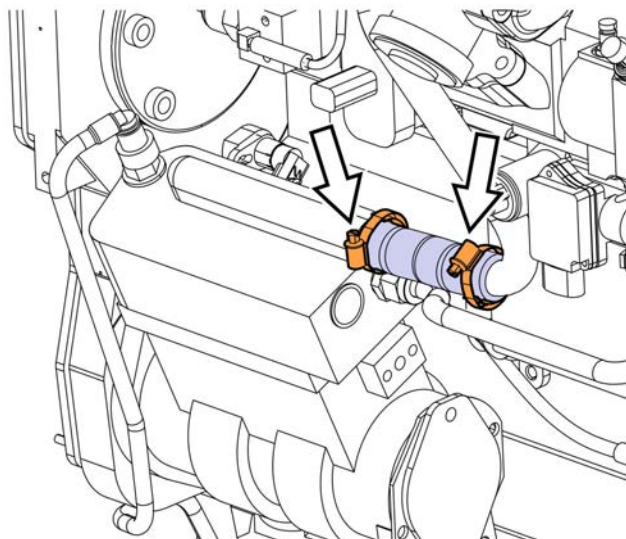
W5080100

- 6 Position the new brake compressor inlet hose (85137052) and clamps (984995) on the air compressor and pipe.



W5080101

7 Tighten both hose clamps to 3 ± 0.5 Nm (27 ± 4 in-lb).



W5080099

- 8 Reconnect all previously removed cables to the negative (ground) battery terminals.
- 9 Lower the cab to the closed and locked position.
- 10 Start engine, check for proper operation and leaks.
- 11 Remove wheel chocks.

Reimbursement

This repair may be eligible for reimbursement if a product failure was experienced within time and mileage limits of the applicable Warranty coverage. Reimbursement is obtained via the normal claim handling process.	
Claim Type (used only when uploading from the Dealer Bus. Sys.)	01
Labor Code	
Primary Labor Code	2613F-CT-80 0.4 hrs.
Causal Part	25096133

Mack Trucks Inc. reserves the right to make any changes in design or to make additions to or upon its products without incurring any obligations to install the same on vehicles previously built.