



SP 7-408-002

SERVICE PROGRAM

March, 2013

ATTENTION:

Service Managers / Parts Managers

SUBJECT:

Front Engine Cross Member Side Brackets for Autocar WX and Certain WXR Xpeditors.

DESCRIPTION OF WORK:

Certain WX and WXR vehicles equipped with five-piece front engine cross members have experienced side bracket failures. This Service Program provides information for the replacement of brackets which have failed over an extended period of heavy-duty operation.

PROGRAM EXPIRES:

March 31, 2014

VEHICLES AFFECTED:

This Service Program covers vehicles manufactured between 2007 and 2010 with serial numbers ranging from 204528 through 206454. Refer to the VIN list beginning on page 8.

SERVICE RESPONSIBILITY:

Service Programs are performed on eligible vehicles at no charge to the owner until the expiration date listed above.

SERVICE PROGRAM INFORMATION:

Service Programs are product modifications and/or product improvements that Autocar has determined will enhance the operation of the truck. In a continuing effort to inform our customers of potential service issues and avoid unnecessary down time, Autocar has identified the following operation as recommended preventive maintenance.

This Service Program should be added to your preventive maintenance and service manuals.

While being committed to continuous product improvement, Autocar is not liable for updating existing chassis after they have been placed in service.

Questions regarding this Service Program should be directed to Autocar Technical Support at 888-218-3611.

TO OBTAIN PARTS:

Ensure that you have authorization from the customer to perform this work, and send an e-mail to:

warranty@autocartruck.com

Include:

1. VIN(s) (or) (last 6 digits of the VIN(s))
2. Attention To Name
3. Ship To Address.



SP 7-408-002
SERVICE PROGRAM

March, 2013

REQUIRED PARTS:

- S4080001K004-X-MBR,FRNT ENG, WX/R
 (1)A4080102-001 Bracket, LH front
 (1)A4080103-001 Bracket, LH rear
 (1)A4080104-001 Bracket, RH rear
 (1)A4080105-001 Bracket, RH front
 (1)S4080001K008 Hardware kit
 (2) GE286250BI01 Locknut 1/2"
 (15) GE286262BI01 Locknut 5/8"
 (2) GE410150AI18 Bolt 1/2" x 1 3/4"
 (3) GZ030020-009 Bolt 5/8" x 1 3/4"
 (2) GZ030020-015 Bolt 5/8" x 2 1/4"
 (10) GZ030020-019 Bolt 5/8" x 3"

CLAIMS FOR REIMBURSEMENT:

Order parts and submit a claim for reimbursement in accordance with Autocar's Warranty Administration Manual.

CLAIM CODING INFORMATION:

Repair Number (Op Code)	Time Allowance (SRT)	Description
71401-0-27	4.5 HR	Front engine support crossmember brackets replace (4)

TOOLS REQUIRED:

- Huck cutter
 1/2" drive 15/16" socket
 1/2" drive 3/4" socket
 15/16" combination wrench
 3/4" combination wrench
 1/2" drive torque wrench with a range of 100 to 320 ft. lbs.



WARNING

Allow the vehicle's engine and cooling system to cool to ambient temperature before performing the repair procedure. A hot engine or cooling assembly may cause burns or other personal injury.



WARNING

To prevent eye injury, always wear eye protection when performing vehicle maintenance, service or inspection.



WARNING

Before working on a vehicle, set the parking brake, place the transmission in neutral and block the wheels. Failure to do so can result in unexpected vehicle movement and can cause serious personal injury or death.

SP 7-408-002

SERVICE PROGRAM

March, 2013

SAFETY NOTICES



CAUTION

LOCKOUT/TAGOUT PROCEDURES

Before entering the vehicle or vehicle body, read and follow OSHA regulations concerning entry and working in "CONFINED SPACE" OSHA 1910.146 and "LOCKOUT/TAGOUT" OSHA 1910.147. Follow OSHA regulations while performing any work on the vehicle. The vehicle must be disabled by the following steps before performing any work on the vehicle:

1. Place the transmission in NEUTRAL.
2. Set the parking brake.
3. Shut the engine OFF.
4. Lock cab doors, keep the key in your pocket. Block the wheels before entering the body or performing any work on the vehicle.
5. Turn the battery disconnect switch OFF, if equipped.
6. Completely drain the air from the primary/A system and secondary/B system by opening the drain valves on the air tanks themselves or by using the drain manifold if supplied. When draining the air tanks, do not look into the area where air is draining. Dirt or sludge particles may be expelled in the air stream and can cause eye injury.
7. Place magnetic "DANGER" signs on both cab doors before entering the body or performing any work on the vehicle.
8. Take proper precautions before working under the vehicle. Use ramps approved for the weight of your vehicle, or use floor jacks and stands. Never work under a vehicle supported by jacks alone. Always use jack stands to support the vehicle.



WARNING

Autocar natural gas powered vehicles require specific compliance in the service, storage and refueling procedures.

If you store or dispense Compressed Natural Gas (CNG) or Liquid Natural Gas (LNG), or if you work on CNG or LNG trucks, your location must be fully compliant with applicable codes, regulations and standards, including National Fire Protection Association (NFPA) codes, Society of Automotive Engineers (SAE) standards, American National Standards Institute (ANSI), Natural Gas Vehicle (NGV) standards, the United States Code of Federal Regulations (CFR), and your state and local fire and other applicable codes (including the California Code of Regulations and the Texas Administrative Code, as applicable).

Contact your local fire department for guidance and additional compliance information. Technicians working on Autocar trucks with CNG or LNG engines must be trained in the proper repair of CNG and LNG engines and the safe storage and dispensing of CNG and LNG.

SP 7-408-002

SERVICE PROGRAM

March, 2013

REPLACING THE FRONT ENGINE CROSS MEMBER SIDE BRACKETS

1. Raise the cab in accordance with the following safety precautions and procedures.



WARNING

Due to the danger of sustaining personal injury and/or damage to the vehicle, never attempt to raise the cab outdoors under extremely windy conditions. Strong wind conditions could force the cab beyond the normal limits of its travel. Never rely on the hydraulic pressure to hold the cab in an open position. Always use the safety pin in the cab tilt lock tube to prevent serious personal injury or death.



WARNING

Remove or secure all loose articles and close all doors before raising the cab. The area above and ahead of the cab must be clear from obstructions. Place front wheels in a straight ahead position.

Remove the pump handle from its storage on the inside of the cab near the driver or passenger seat.

Place the selector lever on the hydraulic pump in the RAISE position. Insert the pump handle into the pump and operate the handle in an up and down motion. The hydraulic cab latches will open, then the hydraulic cylinders will lift the cab until the midpoint (top) is reached.

Once the cab has reached its midpoint the cab will move forward to the fully open position. The safety pin in the cab tilt lock device must be installed when the holes line up in the sliding bar.

Remove the pump handle when not in use. It may stick out and could cause injury to passersby.

SP 7-408-002 SERVICE PROGRAM

March, 2013

2. Locate the front engine cross member and the LH and RH side brackets (see Figure 1).
3. Support the engine with jack stands.
4. Using a huck cutter, remove the fasteners from the RH rail at the front and rear side brackets and discard (see Figure 1).
5. Remove the RH front and RH rear side brackets and discard.
6. Install the new side bracket, RH front (A4080105-001) to the RH rail using two (GE410150AI18) bolts and two (GE286250BI01) locknuts (see Figure 2).



WARNING

Take proper precautions before working under the vehicle. Use ramps approved for the weight of your vehicle, or use floor jacks and stands. Never work under a vehicle supported by jacks alone. Always use jack stands to support the vehicle.

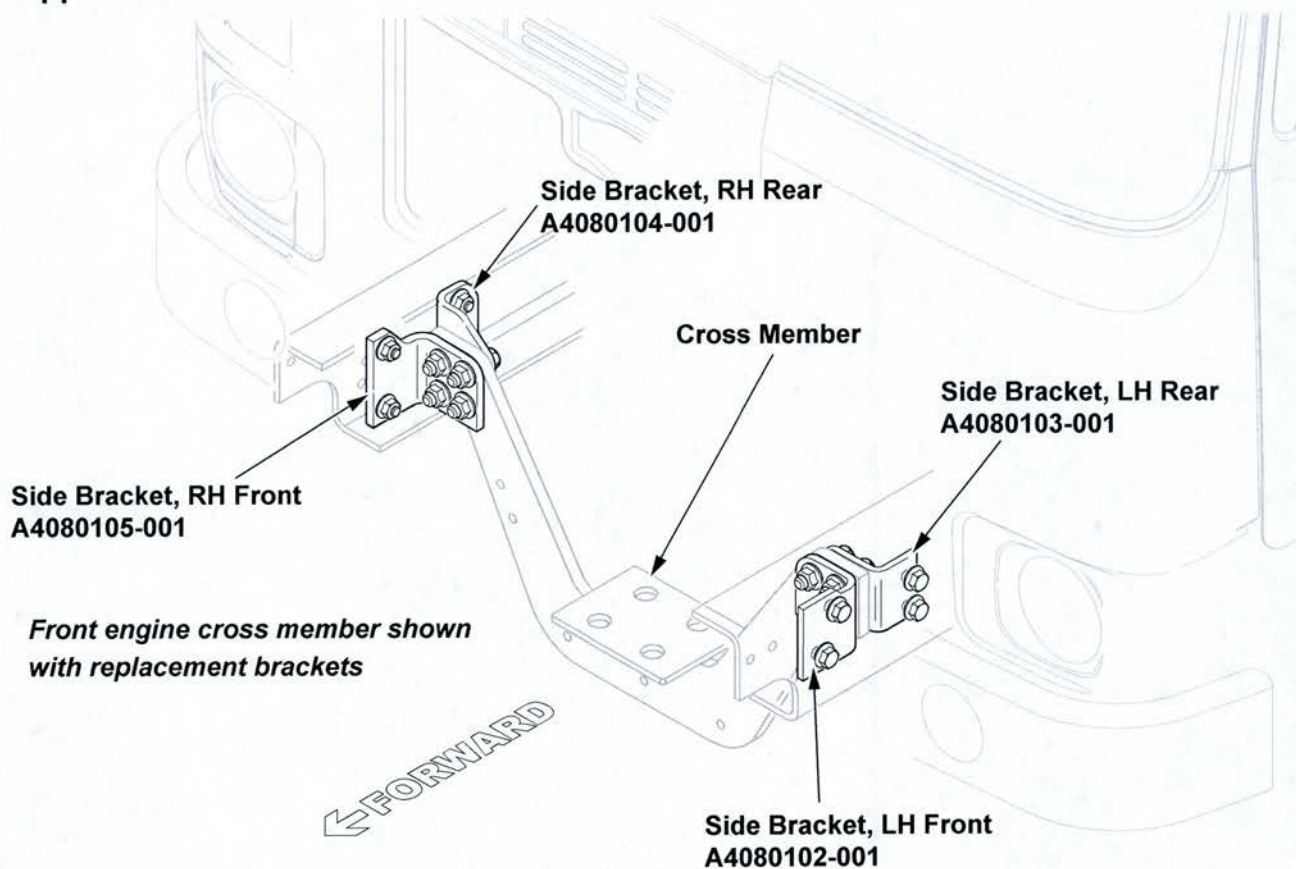


Figure 1

SP 7-408-002

SERVICE PROGRAM

March, 2013

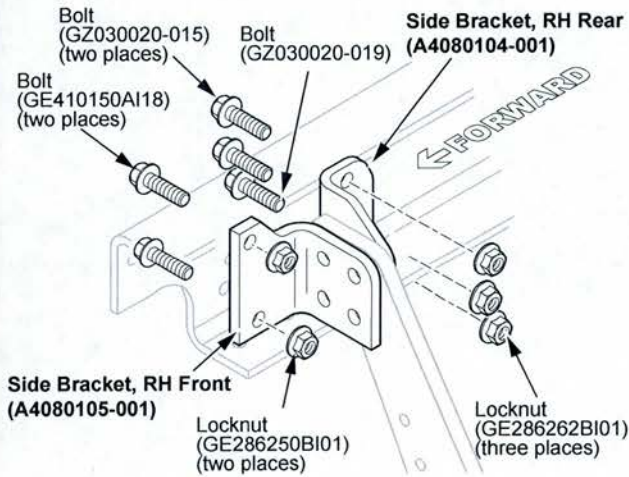


Figure 2

7. Install the new side bracket, RH rear (A4080104-001) to the RH rail using two (GZ030020-015) bolts, one (GZ030020-19) bolt and three (GE286262BI01) locknuts (see Figure 2).
8. Tighten the fasteners (GE410150AI18) and (GE286250BI01) to 95 ft-lbs (129 N·m) of torque.
9. Tighten the fasteners (GZ030020-19) and (GE286262BI01) to 190 ft-lbs (258 N·m) of torque.
10. Install four (GZ030020-019) bolts and four (GE286262BI01) locknuts to the side bracket, RH front and side bracket, RH rear and cross member (see Figure 3).

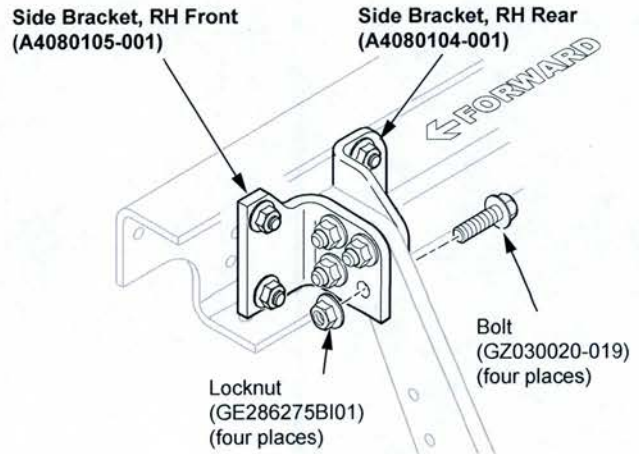


Figure 3

11. Tighten the fasteners (GZ030020-019) and (GE286262BI01) to 190 ft-lbs (258 N·m) of torque.
12. Using a huck cutter, remove the fasteners from the LH rail at the front and rear side brackets and discard (see Figure 1).
13. Remove the LH front and LH rear side brackets and discard.
14. Install the new side bracket, LH front (A4080102-001) to the LH rail using two (GZ030020-009) bolts and two (GE286262BI01) locknuts (see Figure 4).

SP 7-408-002 SERVICE PROGRAM

March, 2013

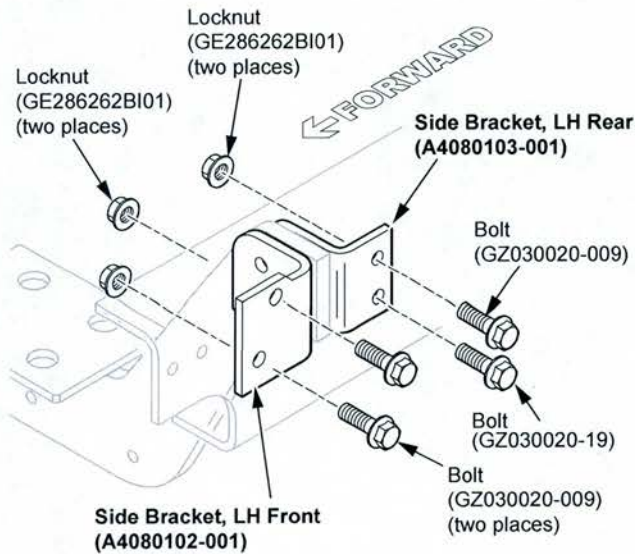


Figure 4

15. Install the new side bracket, LH rear (A4080103-001) to the LH rail using one (GZ030020-19) bolt and one bolt (GZ030020-009), with two (GE286262BI01) locknuts (see Figure 4).
16. Tighten the fasteners (GZ030020-19), (GZ030020-009) and (GE286262BI01) to 190 ft-lbs (258 N·m) of torque (see Figure 4).
17. Install four (GZ030020-019) bolts and four (GE286262BI01) locknuts to the side bracket, LH front and side bracket, LH rear and cross member (see Figure 5).

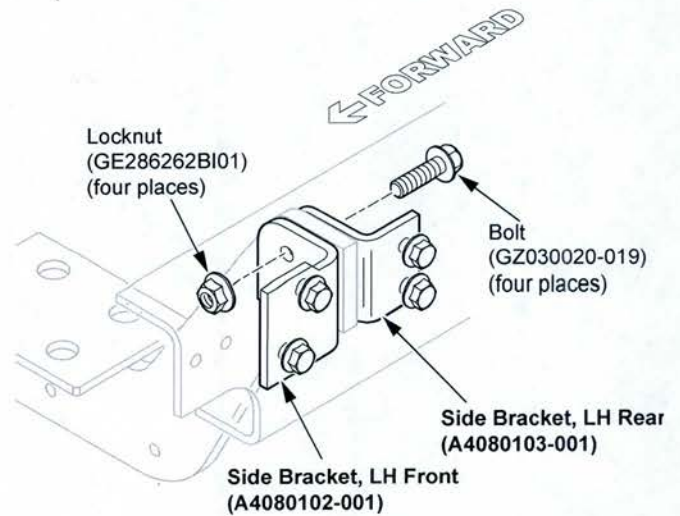


Figure 5

18. Tighten the fasteners (GZ030020-019) and (GE286262BI01) to 190 ft-lbs (258 N·m) of torque.
19. Remove the jack stands.
20. Lower the cab.
21. Repairs are complete.

SP 7-408-002

SERVICE PROGRAM

March, 2013

5VDC6KE47H204528
 5VDC6JE07H204687
 5VDC6JFX7H205192
 5VDC6JFX7H205340
 5VDC6JF17H205341
 5VDC6JF67H205321
 5VDC6JF87H205322
 5VDC6JF87H205370
 5VDC6KF17H205371
 5VDC6JF17H205372
 5VDC6JF27H205400
 5VDC6JF47H205401
 5VDC6JF67H205402
 5VDC6JF58H205506
 5VDC6KE58H205513
 5VDC6KE78H205514
 5VDC6KE98H205515
 5VDC6JF48H205528
 5VDC6KE08H205547
 5VDC6KE28H205548
 5VDC6KE48H205549
 5VDC6KE08H205550
 5VDC6KE28H205551
 5VDC6KE48H205552
 5VDC6KEX8H205569
 5VDC6JF88H205614
 5VDC6JFX8H205615
 5VDC6JF98H205623
 5VDC6KE98H205627
 5VDC6JF98H205654
 5VDC6JF28H205656
 5VDC6JF48H205657
 5VDC6JF68H205658
 5VDC6JF88H205659
 5VDC6JF48H205660
 5VDC6JF68H205661

5VDC6JF88H205662
 5VDC6JFX8H205663
 5VDC6JF18H205664
 5VDC6JF38H205665
 5VDC6JF58H205666
 5VDC6KF98H205667
 5VDC6JF98H205668
 5VDC6JF08H205669
 5VDC6JF78H205670
 5VDC6JF98H205671
 5VDC6JF08H205672
 5VDC6JF28H205673
 5VDC6JF48H205674
 5VDC6JF68H205675
 5VDC6JF88H205676
 5VDC6JF28H205687
 5VDC6JF48H205688
 5VDC6HF98H205689
 5VDC6JF48H205691
 5VDC6JF98H205704
 5VDC6JF48H205707
 5VDC6JF68H205711
 5VDC6HE18H205712
 5VDC6HE38H205713
 5VDC6KF38H205714
 5VDC6JF48H205786
 5VDC6KFX8H205810
 5VDC6JFX8H205811
 5VDC6JF38H205813
 5VDC6JF58H205814
 5VDC6JF78H205815
 5VDC6JF98H205816
 5VDC6JF08H205817
 5VDC6JF28H205818
 5VDC6JF48H205819
 5VDC6JF08H205820

5VDC6JF28H205821
 5VDC6JF48H205822
 5VDC6JF68H205823
 5VDC6JF88H205824
 5VDC6JFX8H205825
 5VDC6JF38H205830
 5VDC6JF58H205831
 5VDC6JF78H205832
 5VDC6JF98H205833
 5VDC6JF08H205834
 5VDC6JF68H205837
 5VDC6JF88H205838
 5VDC6JFX8H205839
 5VDC6JF88H205841
 5VDC6JFX8H205842
 5VDC6JF18H205843
 5VDC6JF38H205844
 5VDC6JF58H205845
 5VDC6JF78H205846
 5VDC6JF98H205847
 5VDC6JF08H205848
 5VDC6JF28H205849
 5VDC6JF98H205850
 5VDC6KF28H205851
 5VDC6JF28H205852
 5VDC6JF48H205853
 5VDC6JF68H205854
 5VDC6JF88H205855
 5VDC6JFX8H205856
 5VDC6JF18H205857
 5VDC6JF38H205889
 5VDC6JF68H205899
 5VDC6JF98H205900
 5VDC6JF08H205901
 5VDC6JF28H205902
 5VDC6JF48H205903

5VDC6JF68H205904
 5VDC6JF88H205905
 5VDC6JFX8H205906
 5VDC6JF18H205907
 5VDC6JF38H205908
 5VDC6JF58H205909
 5VDC6JF18H205910
 5VDC6JF38H205911
 5VDC6JF58H205912
 5VDC6JF78H205913
 5VDC6JF98H205914
 5VDC6JF08H205915
 5VDC6JF28H205916
 5VDC6JF48H205917
 5VDC6JF68H205918
 5VDC6JF88H205919
 5VDC6JF48H205920
 5VDC6JF68H205921
 5VDC6JF88H205922
 5VDC6JFX8H205923
 5VDC6JF18H205924
 5VDC6JF78H205927
 5VDC6JF98H205928
 5VDC6JF08H205929
 5VDC6KF48H205933
 5VDC6KF68H205934
 5VDC6JF68H205935
 5VCD36JF78H205944
 5VDC6KFX8H205936
 5VDC6KF18H205937
 5VDC6JF18H205938
 5VDC6JF38H205939
 5VDC6JFX8H205940
 5VDC6JF18H205941
 5VDC6JF38H205942
 5VDC6JF58H205943

SP 7-408-002 SERVICE PROGRAM

March, 2013

5VCDC6JF98H205945	5VCDC6JF38H205987	5VCDC6JF28H206029	5VCDC6JF48H206078
5VCDC6JF68H205952	5VCDC6JF58H205988	5VCDC6JF08H206031	5VCDC6JF68H206079
5VCDC6JF88H205953	5VCDC6JF78H205989	5VCDC6JF28H206032	5VCDC6JF28H206080
5VCDC6JFX8H205954	5VCDC6JF38H205990	5VCDC6JF48H206033	5VCDC6JF48H206081
5VCDC6JF18H205955	5VCDC6JF58H205991	5VCDC6JF68H206034	5VCDC6KF88H206082
5VCDC6JF38H205956	5VCDC6JF78H205992	5VCDC6JF88H206035	5VCDC6JF88H206083
5VCDC6JF58H205957	5VCDC6JF98H205993	5VCDC6JF38H206041	5VCDC6JFX8H206084
5VCDC6JF78H205958	5VCDC6JF08H205994	5VCDC6JF58H206042	5VCDC6KF58H206086
5VCDC6JF98H205959	5VCDC6JF28H205995	5VCDC6JF78H206043	5VCDC6HE98H206090
5VCDC6JF58H205960	5VCDC6JF48H205996	5VCDC6JF98H206044	5VCDC6JF78H206091
5VCDC6JF78H205961	5VCDC6JF68H205997	5VCDC6JF08H206045	5VCDC6JF98H206092
5VCDC6LE38H205962	5VCDC6JF88H205998	5VCDC6KF8H206052	5VCDC6JF08H206093
5VCDC6LE58H205963	5VCDC6JFX8H205999	5VCDC6KF18H206053	5VCDC6JF28H206094
5VCDC6LE78H205964	5VCDC6JF08H206000	5VCDC6KF38H206054	5VCDC6JF88H206102
5VCDC6LE98H205965	5VCDC6JF28H206001	5VCDC6KF58H206055	5VCDC6JFX8H206103
5VCDC6LE08H205966	5VCDC6JF48H206002	5VCDC6KF78H206056	5VCDC6JF18H206104
5VCDC6LE28H205967	5VCDC6JF68H206003	5VCDC6JF78H206057	5VCDC6JF38H206105
5VCDC6LE48H205968	5VCDC6JF88H206004	5VCDC6JF98H206058	5VCDC6JF58H206106
5VCDC6LE68H205969	5VCDC6JFX8H206005	5VCDC6JF08H206059	5VCDC6JF98H206108
5VCDC6LE28H205970	5VCDC6JF18H206006	5VCDC6JF08H206062	5VCDC6JF08H206109
5VCDC6LE48H205971	5VCDC6JF38H206007	5VCDC6JF28H206063	5VCDC6JF78H206110
5VCDC6LE68H205972	5VCDC6JF58H206008	5VCDC6JF88H206066	5VCDC6JF98H206111
5VCDC6LE88H205973	5VCDC6JF78H206012	5VCDC6JFX8H206067	5VCDC6JF08H206112
5VCDC6LEX8H205974	5VCDC6JF98H206013	5VCDC6JF18H206068	5VCDC6JF28H206113
5VCDC6LE18H205975	5VCDC6JF08H206014	5VCDC6JF38H206069	5VCDC6JF48H206114
5VCDC6LE38H205976	5VCDC6JF28H206015	5VCDC6JFX8H206070	5VCDC6KF88H206115
5VCDC6LE58H205977	5VCDC6JF48H206016	5VCDC6JF18H206071	5VCDC6KF8H206116
5VCDC6JF28H205978	5VCDC6JF68H206020	5VCDC6JF38H206072	5VCDC6KF18H206117
5VCDC6JF48H205979	5VCDC6JF88H206021	5VCDC6JF58H206073	5VCDC6KF38H206118
5VCDC6JF08H205980	5VCDC6JFX8H206022	5VCDC6JF78H206074	5VCDC6KF58H206119
5VCDC6JF28H205981	5VCDC6JF18H206023	5VCDC6JF98H206075	5VCDC6KF18H206120
5VCDC6JF48H205982	5VCDC6JF38H206024	5VCDC6JF08H206076	5VCDC6KF38H206121
5VCDC6JF68H205983	5VCDC6JF58H206025	5VCDC6JF28H206077	5VCDC6KF58H206122
5VCDC6JF88H205984	5VCDC6JF78H206026	5VCD36LE08H206101	5VCDC6KF78H206123
5VCDC6JFX8H205985	5VCDC6JF98H206027	5VCDC6LE68H206099	5VCDC6KF98H206124
5VCDC6JF18H205986	5VCDC6JF08H206028	5VCDC6LE98H206100	5VCDC6KF08H206125

SP 7-408-002 SERVICE PROGRAM

March, 2013

5VDC6KF28H206126	5VDC6HE78H206170	5VDC6KE58H206256	5VDC6HE58H206295
5VDC6KF48H206127	5VDC6JF58H206171	5VDC6KE78H206257	5VDC6HE78H206296
5VDC6KF68H206128	5VDC6JF78H206172	5VDC6KE98H206258	5VDC6JF58H206297
5VDC6KF88H206129	5VDC6JF98H206173	5VDC6KE08H206259	5VDC6LE18H206298
5VDC6JF28H206130	5VDC6JF08H206174	5VDC6KE78H206260	5VDC6JF98H206299
5VDC6JF48H206131	5VDC6KF48H206175	5VDC6JF58H206266	5VDC6JF18H206300
5VDC6JFX8H206134	5VDC6JF48H206176	5VDC6JF78H206267	5VDC6JF38H206301
5VDC6LE68H206135	5VDC6JF98H206187	5VDC6JF98H206268	5VDC6JF58H206302
5VDC6LE88H206136	5VDC6JF08H206188	5VDC6JF08H206269	5VDC6JFX8H206313
5VDC6JF58H206137	5VDC6HE68H206189	5VDC6KF98H206270	5VDC6JF18H206314
5VDC6JF78H206138	5VDC6KF08H206190	5VDC6KF08H206271	5VDC6JF38H206315
5VDC6JF98H206139	5VDC6KF28H206191	5VDC6JF28H206273	5VDC6JF58H206316
5VDC6JF58H206140	5VDC6KF48H206192	5VDC6KF68H206274	5VDC6JF78H206317
5VDC6JF78H206141	5VDC6JF48H206193	5VDC6JF38H206329	5VDC6JF98H206318
5VDC6JF98H206142	5VDC6JF68H206194	5VDC6JFX8H206330	5VDC6JF08H206319
5VDC6KF18H206148	5VDC6JF88H206195	5VDC6JF18H206331	5VDC6JF78H206320
5VDC6KF38H206149	5VDC6JFX8H206196	5VDC6JF38H206332	5VDC6JF98H206321
5VDC6KFX8H206150	5VDC6JF18H206197	5VDC6JF58H206333	5VDC6JF08H206322
5VDC6KF18H206151	5VDC6JF38H206198	5VDC6JF78H206334	5VDC6JF28H206323
5VDC6KF38H206152	5VDC6JF58H206199	5VDC6JF98H206335	5VDC6JF48H206324
5VDC6KF58H206153	5VDC6JF88H206200	5VDC6JF08H206336	5VDC6JF68H206325
5VDC6KF78H206154	5VDC6JFX8H206201	5VDC6JF28H206337	5VDC6JF88H206326
5VDC6KF98H206155	5VDC6JF18H206202	5VDC6KF38H206281	5VDC6JFX8H206327
5VDC6KF08H206156	5VDC6JF38H206203	5VDC6KF58H206282	5VDC6LE68H206328
5VDC6KF28H206157	5VDC6JF58H206204	5VDC6JF58H206283	5VDC6KG58H206338
5VDC6KF48H206158	5VDC6JF78H206205	5VDC6JF78H206284	5VDC6KG88H206348
5VDC6KF68H206159	5VDC6JF98H206206	5VDC6JF98H206285	5VDC6KGX8H206349
5VDC6KF28H206160	5VDC6LE28H206245	5VDC6JF08H206286	5VDC6JF58H206350
5VDC6KF48H206161	5VDC6LE48H206246	5VDC6JF28H206287	5VDC6JF78H206351
5VDC6KF68H206162	5VDC6HF58H206242	5VDC6JF48H206288	5VDC6JF98H206352
5VDC6KF88H206163	5VDC6HF78H206243	5VDC6JF68H206289	5VDC6JF08H206353
5VDC6KE28H206165	5VDC6HF98H206244	5VDC6JF28H206290	5VDC6JF28H206354
5VDC6JF18H206166	5VDC6KE48H206250	5VDC6JF48H206291	5VDC6JF48H206355
5VDC6JF38H206167	5VDC6KE68H206251	5VDC6JF68H206292	5VDC6JF68H206356
5VDC6HE98H206168	5VDC6KE88H206252	5VDC6HE18H206293	5VDC6JF88H206357
5VDC6HE08H206169	5VDC6KE38H206255	5VDC6HE38H206294	5VDC6JFX8H206358



SP 7-408-002 SERVICE PROGRAM

March, 2013

- | | |
|------------------|------------------|
| 5VDC6JF18H206359 | 5VDC6KF48H206421 |
| 5VDC6JF88H206360 | 5VDC6KF68H206422 |
| 5VDC6JFX8H206361 | 5VDC6KF88H206423 |
| 5VDC6HE78H206363 | 5VDC6KFX8H206424 |
| 5VDC6JF58H206364 | 5VDC6KF18H206425 |
| 5VDC6JF78H206365 | 5VDC6KF38H206426 |
| 5VDC6JF98H206366 | 5VDC6KF58H206427 |
| 5VDC6JF08H206367 | 5VDC6KF78H206428 |
| 5VDC6JF28H206368 | 5VDC6KF98H206429 |
| 5VDC6JF48H206369 | 5VDC6KF58H206430 |
| 5VDC6LE58H206370 | 5VDC6KF78H206431 |
| 5VDC6LE78H206371 | 5VDC6KF98H206432 |
| 5VDC6LE98H206372 | 5VDC6KF08H206433 |
| 5VDC6JF68H206373 | 5VDC6KF28H206434 |
| 5VDC6KE08H206374 | 5VDC6KF48H206435 |
| 5VDC6KE28H206375 | 5VDC6KF68H206436 |
| 5VDC6KE48H206376 | 5VDC6KF88H206437 |
| 5VDC6KE68H206377 | 5VDC6KFX8H206438 |
| 5VDC6KE88H206378 | 5VDC6KF18H206439 |
| 5VDC6KEX8H206379 | 5VDC6KF88H206440 |
| 5VDC6JF38H206380 | 5VDC6KFX8H206441 |
| 5VDC6JF58H206381 | 5VDC6KF18H206442 |
| 5VDC6JF78H206382 | 5VDC6KF38H206443 |
| 5VDC6JF98H206383 | 5VDC6KF58H206444 |
| 5VDC6JF08H206384 | 5VDC6KF78H206445 |
| 5VDC6JF28H206385 | 5VDC6KF98H206446 |
| 5VDC6JF48H206386 | 5VDC6KF08H206447 |
| 5VDC6JF68H206387 | 5VDC6KF28H206448 |
| 5VDC6JF08H206403 | 5VDC6KF48H206449 |
| 5VDC6JF28H206404 | 5VDC6KF08H206450 |
| 5VDC6KE68H206413 | 5VDC6KF28H206451 |
| 5VDC6KE88H206414 | 5VDC6KF48H206452 |
| 5VDC6JF78H206415 | 5VDC6KF68H206453 |
| 5VDC6JF98H206416 | 5VDC6KF88H206454 |
| 5VDC6KF28H206417 | |
| 5VDC6KF48H206418 | |