



SP 7-408-001
SERVICE PROGRAM

March, 2013

ATTENTION:

Service Managers / Parts Managers

SUBJECT:

Front Engine Cross Member Side Brackets
for Autocar WX and Certain WXR Xpeditors.

DESCRIPTION OF WORK:

Certain WX and WXR vehicles equipped
with five-piece front engine cross members
have experienced side bracket failures.
This Service Program provides information
for the replacement of brackets which have
failed over an extended period of heavy-duty
operation.

PROGRAM EXPIRES:

March 31, 2014

VEHICLES AFFECTED:

This Service Program covers vehicles
manufactured between 2007 and 2010 with
serial numbers ranging from 206019 through
210109. Refer to the VIN list beginning on
page 8.

SERVICE RESPONSIBILITY:

Service Programs are performed on eligible
vehicles at no charge to the owner until the
expiration date listed above.

**SERVICE PROGRAM
INFORMATION:**

Service Programs are product modifications
and/or product improvements that Autocar
has determined will enhance the operation of
the truck. In a continuing effort to inform our
customers of potential service issues and
avoid unnecessary down time, Autocar has
identified the following operation as
recommended preventive maintenance.

This Service Program should be added to
your preventive maintenance and service
manuals.

While being committed to continuous
product improvement, Autocar is not liable
for updating existing chassis after they have
been placed in service.

Questions regarding this Service Program
should be directed to Autocar Technical
Support at 888-218-3611.

TO OBTAIN PARTS:

Ensure that you have authorization from the
customer to perform this work, and send an
e-mail to:

warranty@autocartruck.com

Include:

1. VIN(s) (or) (last 6 digits of the VIN(s))
2. Attention To Name
3. Ship To Address.

SP 7-408-001

SERVICE PROGRAM

March, 2013

REQUIRED PARTS:

- S4080001K003-X-MBR,FRNT ENG, WX/R
- (1) A4080098-001 Bracket, LH front
 - (1) A4080099-001 Bracket, LH rear
 - (1) A4080100-001 Bracket, RH rear
 - (1) A4080101-001 Bracket, RH front
 - (1) S4080001K007 Hardware kit
 - (2) GE286250BI01 Locknut 1/2"
 - (7) GE286262BI01 Locknut 5/8"
 - (6) GE286275BI01 Locknut 3/4"
 - (2) GE410150AI18 Bolt 1/2" x 1 3/4"
 - (3) GZ030020-009 Bolt 5/8" x 1 3/4"
 - (6) GZ030020-014 Bolt 3/4" x 3"
 - (2) GZ030020-015 Bolt 5/8" x 2 1/4"
 - (2) GZ030020-019 Bolt 5/8" x 3"

CLAIMS FOR REIMBURSEMENT:

Order parts and submit a claim for reimbursement in accordance with Autocar's Warranty Administration Manual.

CLAIM CODING INFORMATION:

Repair Number (Op Code)	Time Allowance (SRT)	Description
71401-0-26	4.5 HR	Front engine support crossmember brackets replace (4)

TOOLS REQUIRED:

- Huck cutter
- 1/2" drive 3/4" socket
- 1/2" drive 15/16" socket
- 1/2" drive 1-1/8" socket
- 3/4" combination wrench
- 15/16" combination wrench
- 1-1/8" combination wrench
- 1/2" drive torque wrench with a range of 100 to 360 ft. lbs.



WARNING

Allow the vehicle's engine and cooling system to cool to ambient temperature before performing the repair procedure. A hot engine or cooling assembly may cause burns or other personal injury.



WARNING

To prevent eye injury, always wear eye protection when performing vehicle maintenance, service or inspection.



WARNING

Before working on a vehicle, set the parking brake, place the transmission in neutral and block the wheels. Failure to do so can result in unexpected vehicle movement and can cause serious personal injury or death.

SP 7-408-001

SERVICE PROGRAM

March, 2013

SAFETY NOTICES



CAUTION

LOCKOUT/TAGOUT PROCEDURES

Before entering the vehicle or vehicle body, read and follow OSHA regulations concerning entry and working in "CONFINED SPACE" OSHA 1910.146 and "LOCKOUT/TAGOUT" OSHA 1910.147. Follow OSHA regulations while performing any work on the vehicle. The vehicle must be disabled by the following steps before performing any work on the vehicle:

1. Place the transmission in NEUTRAL.
2. Set the parking brake.
3. Shut the engine OFF.
4. Lock cab doors, keep the key in your pocket. Block the wheels before entering the body or performing any work on the vehicle.
5. Turn the battery disconnect switch OFF, if equipped.
6. Completely drain the air from the primary/A system and secondary/B system by opening the drain valves on the air tanks themselves or by using the drain manifold if supplied. When draining the air tanks, do not look into the area where air is draining. Dirt or sludge particles may be expelled in the air stream and can cause eye injury.
7. Place magnetic "DANGER" signs on both cab doors before entering the body or performing any work on the vehicle.
8. Take proper precautions before working under the vehicle. Use ramps approved for the weight of your vehicle, or use floor jacks and stands. Never work under a vehicle supported by jacks alone. Always use jack stands to support the vehicle.



WARNING

Autocar natural gas powered vehicles require specific compliance in the service, storage and refueling procedures.

If you store or dispense Compressed Natural Gas (CNG) or Liquid Natural Gas (LNG), or if you work on CNG or LNG trucks, your location must be fully compliant with applicable codes, regulations and standards, including National Fire Protection Association (NFPA) codes, Society of Automotive Engineers (SAE) standards, American National Standards Institute (ANSI), Natural Gas Vehicle (NGV) standards, the United States Code of Federal Regulations (CFR), and your state and local fire and other applicable codes (including the California Code of Regulations and the Texas Administrative Code, as applicable).

Contact your local fire department for guidance and additional compliance information. Technicians working on Autocar trucks with CNG or LNG engines must be trained in the proper repair of CNG and LNG engines and the safe storage and dispensing of CNG and LNG.

SP 7-408-001

SERVICE PROGRAM

March, 2013

REPLACING THE FRONT ENGINE CROSS MEMBER SIDE BRACKETS

1. Raise the cab in accordance with the following safety precautions and procedures.



WARNING

Due to the danger of sustaining personal injury and/or damage to the vehicle, never attempt to raise the cab outdoors under extremely windy conditions. Strong wind conditions could force the cab beyond the normal limits of its travel. Never rely on the hydraulic pressure to hold the cab in an open position. Always use the safety pin in the cab tilt lock tube to prevent serious personal injury or death.



WARNING

Remove or secure all loose articles and close all doors before raising the cab. The area above and ahead of the cab must be clear from obstructions. Place front wheels in a straight ahead position.

Remove the pump handle from its storage on the inside of the cab near the driver or passenger seat.

Place the selector lever on the hydraulic pump in the RAISE position. Insert the pump handle into the pump and operate the handle in an up and down motion. The hydraulic cab latches will open, then the hydraulic cylinders will lift the cab until the midpoint (top) is reached.

Once the cab has reached its midpoint the cab will move forward to the fully open position. The safety pin in the cab tilt lock device must be installed when the holes line up in the sliding bar.

Remove the pump handle when not in use. It may stick out and could cause injury to passersby.

SP 7-408-001 SERVICE PROGRAM

March, 2013

2. Locate the front engine cross member and the LH and RH side brackets (see Figure 1).
3. Support the engine with jack stands.

4. Using a huck cutter, remove the fasteners from the RH rail at the front and rear side brackets and discard (see Figure 1).
5. Remove the RH front and RH rear side brackets and discard.
6. Install the new side bracket, RH front (A4080101-001) to the RH rail using two (GE410150AI18) bolts and two (GE286250BI01) locknuts (see Figure 2).



WARNING

Take proper precautions before working under the vehicle. Use ramps approved for the weight of your vehicle, or use floor jacks and stands. Never work under a vehicle supported by jacks alone. Always use jack stands to support the vehicle.

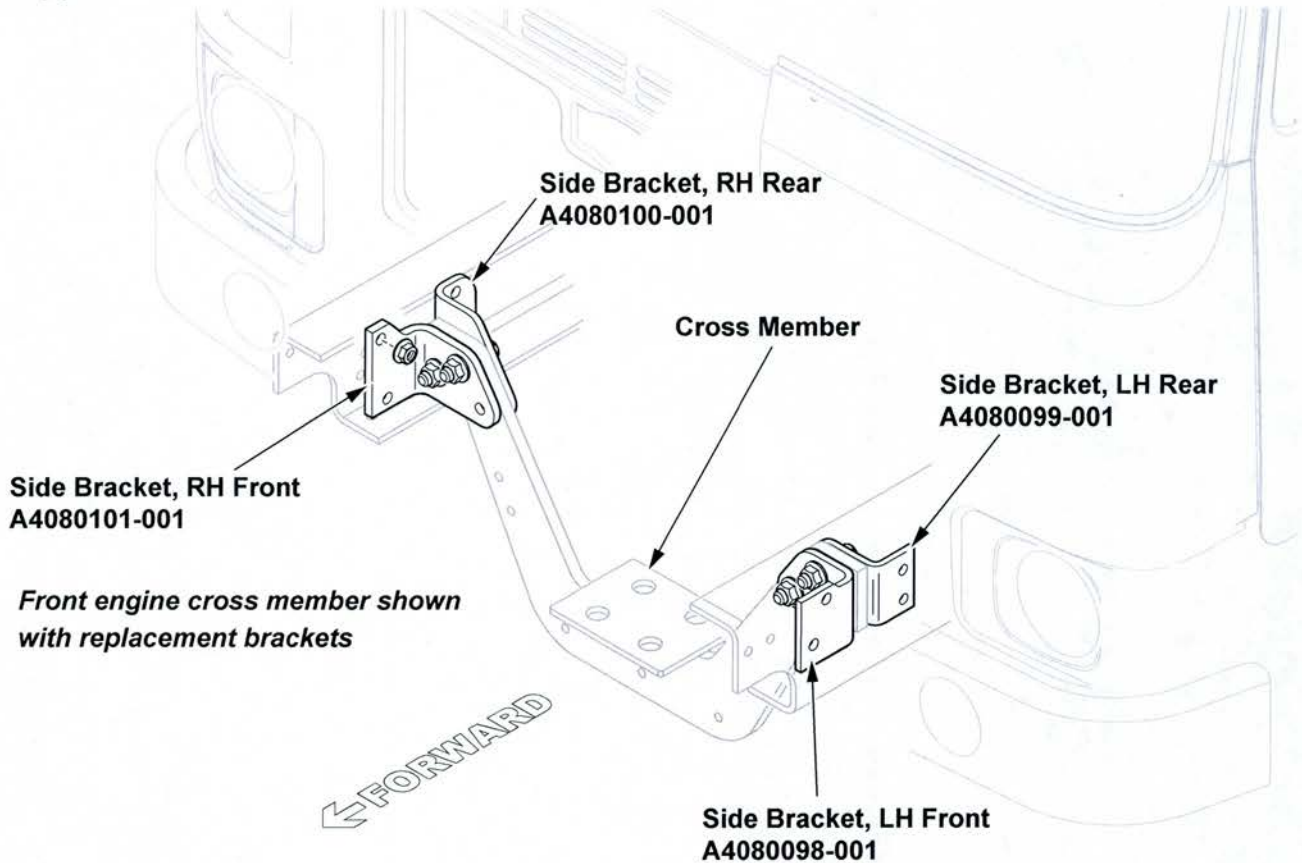


Figure 1

SP 7-408-001

SERVICE PROGRAM

March, 2013

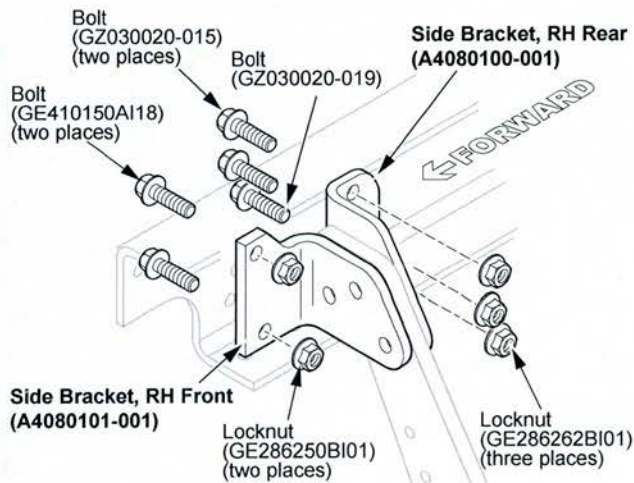


Figure 2

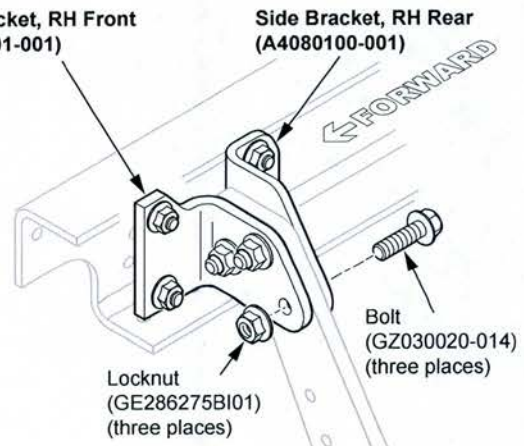


Figure 3

7. Install the new side bracket, RH rear (A4080100-001) to the RH rail using two (GZ030020-015) bolts, one (GZ030020-019) bolt and three (GE286262BI01) locknuts (see Figure 2).
8. Tighten the fasteners (GE410150AI18) and (GE286250BI01) to 95 ft-lbs (129 N·m) of torque.
9. Tighten the fasteners (GZ030020-015), (GZ030020-019) and (GE286262BI01) to 190 ft-lbs (258 N·m) of torque.
10. Install three (GZ030020-014) bolts and three (GE286275BI01) locknuts to the side bracket, RH front and side bracket, RH rear and cross member (see Figure 3).
11. Tighten the fasteners (GZ030020-014) and (GE286275BI01) to 340 ft-lbs (460 N·m) of torque.
12. Using a huck cutter, remove the fasteners from the LH rail at the front and rear side brackets and discard (see Figure 1).
13. Remove the LH front and LH rear side brackets and discard.
14. Install the new side bracket, LH front (A4080098-001) to the LH rail using two (GZ030020-009) bolts and two (GE286262BI01) locknuts (see Figure 4).

SP 7-408-001 SERVICE PROGRAM

March, 2013

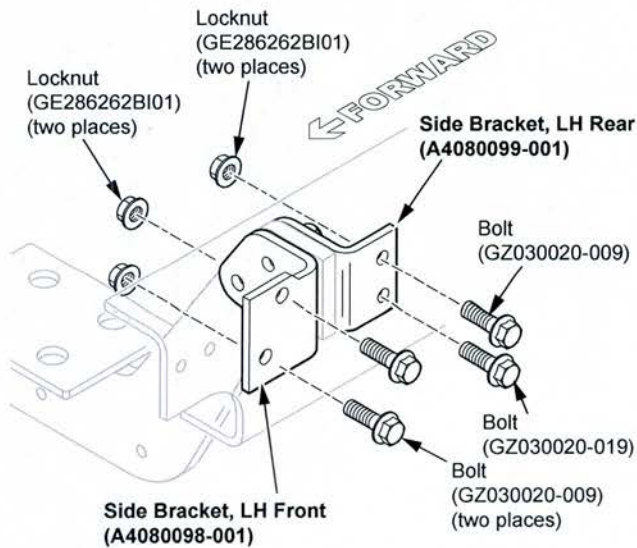


Figure 4

15. Install the new side bracket, LH rear (A4080099-001) to the LH rail using one (GZ030020-019) bolt and one bolt (GZ030020-009), with two (GE286262BI01) locknuts (see Figure 4).
16. Tighten the fasteners (GZ030020-019), (GZ030020-009) and (GE286262BI01) to 190 ft-lbs (258 N·m) of torque (see Figure 4).
17. Install three (GZ030020-014) bolts and three (GE286275BI01) locknuts to the side bracket, LH front and side bracket, LH rear and cross member (see Figure 5).

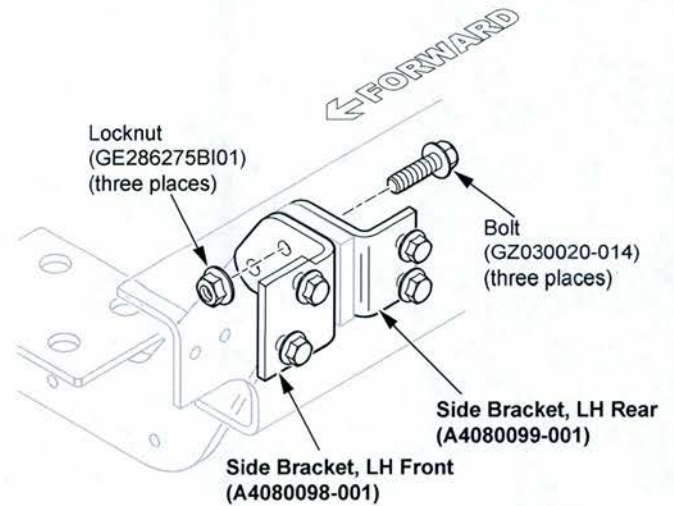


Figure 5

18. Tighten the fasteners (GZ030020-014) and (GE286275BI01) to 340 ft-lbs (460 N·m) of torque.
19. Remove the jack stands.
20. Lower the cab.
21. Repairs are complete.



SP 7-408-001 SERVICE PROGRAM

March, 2013

5VDC6LE48H206019
 5VDC6JF08H206207
 5VDC6JF28H206208
 5VDC6JF48H206209
 5VDC6JF08H206210
 5VDC6JF28H206211
 5VDC6JF48H206212
 5VDC6JF68H206213
 5VDC6JF88H206214
 5VDC6JFX8H206215
 5VDC6JF18H206216
 5VDC6JF38H206217
 5VDC6JF58H206218
 5VDC6JF78H206219
 5VDC6JF38H206220
 5VDC6JF68H206227
 5VDC6JF88H206228
 5VDC6JFX8H206229
 5VDC6JF68H206230
 5VDC6JF88H206231
 5VDC6JFX8H206232
 5VDC6JF18H206233
 5VDC6KF28H206272
 5VDC6JF68H206339
 5VDC6JF28H206340
 5VDC6JF48H206341
 5VDC6JF68H206342
 5VDC6JF88H206343
 5VDC6JFX8H206344
 5VDC6JF18H206345
 5VDC6JF38H206346
 5VDC6JF58H206347
 5VDC6LE28H206410
 5VDC6LE48H206411
 5VDC6LE68H206412
 5VDC6JF88H206455

5VDC6JFX8H206456
 5VDC6KF38H206457
 5VDC6HE78H206458
 5VDC6JF58H206459
 5VDC6KE48H206460
 5VDC6KE68H206461
 5VCD36HE98H206462
 5VCD36HE08H206463
 5VDC6KG98H206472
 5VDC6KG08H206473
 5VDC6KG28H206474
 5VDC6KF58H206475
 5VDC6KF78H206476
 5VDC6KF98H206477
 5VDC6KF08H206478
 5VDC6KF28H206479
 5VDC6KF98H206480
 5VDC6KF08H206481
 5VDC6KF28H206482
 5VDC6KF48H206483
 5VDC6KF68H206484
 5VDC6KF88H206485
 5VDC6KFX8H206486
 5VDC6KF18H206487
 5VDC6KF38H206488
 5VDC6KF58H206489
 5VDC6KF18H206490
 5VDC6KF38H206491
 5VDC6KF58H206492
 5VDC6KF78H206493
 5VDC6LE58H206501
 5VDC6LE78H206502
 5VDC6LE98H206503
 5VDC6KF88H206504
 5VDC6KFX8H206505
 5VDC6KF18H206506

5VDC6KF38H206507
 5VDC6JF38H206508
 5VDC6JF58H206509
 5VDC6JF18H206510
 5VDC6KF98H206513
 5VDC6KF08H206514
 5VDC6KF28H206515
 5VDC6KF48H206516
 5VDC6KF68H206517
 5VDC6JF68H206518
 5VDC6JF88H206519
 5VDC6JF48H206520
 5VDC6JF68H206521
 5VDC6JF88H206522
 5VDC6JFX8H206523
 5VDC6JF48H206534
 5VDC6JF68H206535
 5VDC6JF88H206536
 5VDC6JFX8H206537
 5VDC6JF18H206538
 5VDC6JF38H206539
 5VDC6JFX8H206540
 5VDC6JF18H206541
 5VDC6JF38H206542
 5VDC6JF58H206543
 5VDC6JF78H206544
 5VDC6JF98H206545
 5VDC6JF08H206546
 5VDC6JF28H206547
 5VDC6JF48H206548
 5VDC6JF68H206549
 5VDC6JF28H206550
 5VDC6JF48H206551
 5VDC6JF68H206552
 5VDC6JF88H206553

5VDC6JFX8H206554
 5VDC6JF18H206555
 5VDC6LE88H206556
 5VDC6LEX8H206557
 5VDC6KF08H206559
 5VCD36HE98H206560
 5VDC6JF78H206561
 5VDC6JF98H206562
 5VDC6JF08H206563
 5VDC6JF28H206564
 5VDC6JF48H206565
 5VDC6JF68H206566
 5VDC6JF88H206567
 5VDC6JFX8H206568
 5VDC6JF18H206569
 5VDC6JF88H206570
 5VDC6JFX8H206571
 5VDC6JF18H206572
 5VDC6JF38H206573
 5VDC6JF58H206574
 5VDC6JF78H206575
 5VDC6JF98H206576
 5VDC6JF08H206577
 5VDC6JF28H206578
 5VDC6JF48H206579
 5VDC6JF08H206580
 5VDC6JF28H206581
 5VDC6JF48H206582
 5VDC6JF68H206583
 5VDC6JF88H206584
 5VDC6JFX8H206585
 5VDC6JF18H206586
 5VDC6JF38H206587
 5VDC6JF58H206588
 5VDC6JF78H206589
 5VDC6JF38H206590

Autocar, LLC
 551 South Washington Street
 Hagerstown, IN 47346
 877-973-3486

SP 7-408-001 SERVICE PROGRAM

March, 2013

5VCDC6JF58H206591	5VCDC6KFX8H206634	5VCDC6BE58H206676	5VCDC6LE58H206725
5VCDC6JF78H206592	5VCDC6KF18H206635	5VCDC6BE78H206677	5VCDC6LE78H206726
5VCDC6JF98H206593	5VCDC6JF58H206638	5VCDC6BE98H206678	5VCDC6LE98H206727
5VCDC6JF08H206594	5VCDC6JF78H206639	5VCDC6BE08H206679	5VCDC6LE08H206728
5VCDC6JF28H206595	5VCDC6JF38H206640	5VCDC6BE78H206680	5VCDC6LE28H206729
5VCDC6JF48H206596	5VCDC6JF58H206641	5VCDC6BE98H206681	5VCDC6LE98H206730
5VCDC6JF68H206597	5VCDC6BE78H206646	5VCDC6BE08H206682	5VCDC6LE08H206731
5VCDC6JF88H206598	5VCDC6BE98H206647	5VCDC6BE28H206683	5VCD36LE08H206745
5VCDC6JFX8H206599	5VCDC6BE08H206648	5VCDC6BE48H206684	5VCDC6KF18H206750
5VCDC6JF28H206600	5VCDC6BE28H206649	5VCDC6BE68H206685	5VCDC6JF48H206811
5VCDC6JF48H206601	5VCDC6BE98H206650	5VCDC6JF98H206688	5VCDC6JF68H206812
5VCDC6JF68H206602	5VCDC6BE08H206651	5VCDC6JF08H206689	5VCDC6JF88H206813
5VCDC6JF88H206603	5VCDC6BE28H206652	5VCDC6JF78H206690	5VCDC6JFX8H206814
5VCDC6JFX8H206604	5VCDC6BE48H206653	5VCDC6JF98H206691	5VCDC6JF18H206815
5VCDC6JF18H206605	5VCDC6BE68H206654	5VCDC6JF08H206692	5VCDC6JF38H206816
5VCDC6JF38H206606	5VCDC6BE88H206655	5VCDC6JF28H206693	5VCDC6JF98H206822
5VCD36LEX8H206610	5VCDC6BEX8H206656	5VCDC6JF48H206694	5VCDC6JF08H206823
5VCD36LE18H206611	5VCDC6BE18H206657	5VCDC6JF68H206695	5VCDC6LE78H206824
5VCDC6KE38H206613	5VCDC6BE38H206658	5VCDC6JF88H206696	5VCDC6LE98H206825
5VCDC6JF28H206614	5VCDC6BE58H206659	5VCDC6JFX8H206697	5VCDC6LE08H206826
5VCDC6KF68H206615	5VCDC6BE18H206660	5VCDC6JF18H206698	5VCDC6LE28H206827
5VCDC6KF88H206616	5VCDC6BE38H206661	5VCDC6JF38H206699	5VCDC6LE48H206828
5VCDC6KFX8H206617	5VCDC6BE58H206662	5VCDC6KF88H206700	5VCDC6LE68H206829
5VCDC6KF18H206618	5VCDC6BE78H206663	5VCDC6JF88H206701	5VCDC6KFX8H206830
5VCDC6KF38H206619	5VCDC6BE98H206664	5VCDC6JFX8H206702	5VCDC6LE68H206832
5VCDC6KFX8H206620	5VCDC6BE08H206665	5VCDC6JF18H206703	5VCDC6JF38H206833
5VCDC6KF18H206621	5VCDC6BE28H206666	5VCDC6JF38H206704	5VCDC6KF78H206834
5VCDC6KF38H206622	5VCDC6BE48H206667	5VCDC6JF58H206705	5VCDC6JF78H206835
5VCDC6KF58H206623	5VCDC6BE68H206668	5VCDC6JF78H206706	5VCDC6JF98H206836
5VCDC6KF78H206624	5VCDC6BE88H206669	5VCDC6JF98H206707	5VCDC6JF08H206837
5VCDC6KF98H206625	5VCDC6BE48H206670	5VCDC6KF68H206713	5VCDC6LE78H206838
5VCDC6KF08H206626	5VCDC6BE68H206671	5VCDC6KF88H206714	5VCDC6LE98H206839
5VCDC6KF28H206630	5VCDC6BE88H206672	5VCDC6KFX8H206715	5VCDC6LE58H206840
5VCDC6KF48H206631	5VCDC6BEX8H206673	5VCDC6LEX8H206722	5VCD36LE78H206841
5VCDC6KF68H206632	5VCDC6BE18H206674	5VCDC6LE18H206723	5VCDC6LE98H206842
5VCDC6KF88H206633	5VCDC6BE38H206675	5VCDC6LE38H206724	5VCDC6KF88H206843

SP 7-408-001 SERVICE PROGRAM

March, 2013

5VCDC6KFX8H206844	5VCDC6JF28H206922	5VCDC6JF58H206963	5VCDC6JFX8H207025
5VCDC6KF18H206845	5VCDC6JF48H206923	5VCDC6JF78H206964	5VCDC6JF18H207026
5VCDC6KF38H206846	5VCDC6JF68H206924	5VCDC6JF98H206965	5VCDC6LE88H207027
5VCDC6KF18H206862	5VCDC6JF88H206925	5VCDC6JF08H206966	5VCDC6LEX8H207028
5VCDC6JF18H206863	5VCDC6JFX8H206926	5VCDC6JF28H206967	5VCDC6JF38H207030
5VCDC6JF38H206864	5VCDC6JF18H206927	5VCDC6JF48H206968	5VCDC6JF58H207031
5VCDC6JF58H206865	5VCDC6JF38H206928	5VCDC6JF68H206969	5VCDC6JF78H207032
5VCDC6JF78H206866	5VCDC6JF58H206929	5VCDC6JF28H206970	5VCDC6JF98H207033
5VCDC6JF98H206867	5VCDC6JF18H206930	5VCDC6JFX8H206974	5VCDC6JF08H207034
5VCDC6JF08H206868	5VCDC6JF38H206931	5VCDC6JF88H206987	5VCDC6JF28H207035
5VCDC6JF28H206869	5VCDC6JF58H206932	5VCDC6JF78H206995	5VCDC6JF48H207036
5VCDC6JF98H206870	5VCDC6JF78H206933	5VCDC6JF98H206996	5VCDC6JF68H207037
5VCDC6JF08H206871	5VCDC6JF98H206934	5VCDC6JF08H206997	5VCDC6JF88H207038
5VCDC6JF28H206872	5VCDC6JF08H206935	5VCDC6JF98H207002	5VCDC6JFX8H207039
5VCDC6JF48H206873	5VCDC6JF28H206936	5VCD36LE58H207003	5VCDC6JF68H207040
5VCDC6JF68H206874	5VCDC6JF48H206937	5VCDC6LE78H207004	5VCDC6JF88H207041
5VCDC6JF88H206875	5VCDC6JF68H206938	5VCDC6LE98H207005	5VCDC6JFX8H207042
5VCDC6JFX8H206876	5VCDC6HE38H206943	5VCDC6LE08H207006	5VCDC6JF18H207043
5VCDC6JF18H206880	5VCDC6HE58H206944	5VCDC6LE28H207007	5VCDC6LEX8H207045
5VCDC6JF38H206881	5VCDC6HE78H206945	5VCDC6LE48H207008	5VCDC6LE18H207046
5VCDC6JF58H206882	5VCDC6HE98H206946	5VCDC6LE68H207009	5VCDC6LE38H207047
5VCDC6JF78H206883	5VCDC6HE08H206947	5VCDC6JF88H207010	5VCDC6LE58H207048
5VCDC6JF68H206888	5VCDC6JF98H206948	5VCDC6JFX8H207011	5VCDC6LE78H207049
5VCDC6JF88H206889	5VCDC6LE58H206949	5VCDC6JF18H207012	5VCDC6LE38H207050
5VCDC6JF48H206890	5VCDC6LE18H206950	5VCDC6JF38H207013	5VCDC6LE58H207051
5VCDC6JF68H206891	5VCDC6JF08H206952	5VCDC6JF58H207014	5VCDC6LE78H207052
5VCDC6JF88H206892	5VCDC6JF28H206953	5VCDC6JF78H207015	5VCDC6LE98H207053
5VCDC6JFX8H206893	5VCDC6JF48H206954	5VCDC6JF98H207016	5VCDC6LE08H207054
5VCDC6JF18H206894	5VCDC6JF68H206955	5VCDC6JF08H207017	5VCDC6LE28H207055
5VCDC6KF78H206896	5VCDC6JF88H206956	5VCDC6JF28H207018	5VCDC6LE48H207056
5VCDC6LE08H206907	5VCDC6JFX8H206957	5VCDC6LE98H207019	5VCDC6LE68H207057
5VCDC6LE28H206908	5VCDC6JF18H206958	5VCDC6LE58H207020	5VCDC6LE88H207058
5VCDC6LE48H206909	5VCDC6JF38H206959	5VCDC6LE78H207021	5VCDC6LEX8H207059
5VCDC6JF28H206919	5VCDC6JFX8H206960	5VCDC6LE98H207022	5VCDC6LE68H207060
5VCDC6JF98H206920	5VCDC6JF18H206961	5VCDC6LE08H207023	5VCDC6LE88H207061
5VCDC6JF08H206921	5VCDC6JF38H206962	5VCDC6LE28H207024	5VCDC6LEX8H207062



SP 7-408-001 SERVICE PROGRAM

March, 2013

5VCDC6LE18H207063	5VCDC6KF78H207109	5VCDC6JFX8H207168	5VCDC6KF68H207215
5VCDC6LE38H207064	5VCDC6KF38H207110	5VCDC6JF18H207169	5VCDC6KF88H207216
5VCDC6JFX8H207073	5VCDC6KF58H207111	5VCDC6JF88H207170	5VCDC6KFX8H207217
5VCDC6JF18H207074	5VCDC6KF78H207112	5VCDC6JFX8H207171	5VCDC6KF18H207218
5VCDC6JF38H207075	5VCDC6KF98H207113	5VCDC6JF18H207172	5VCDC6KF38H207219
5VCDC6JF58H207076	5VCDC6KF08H207114	5VCDC6LEX8H207174	5VCDC6KFX8H207220
5VCDC6JF78H207077	5VCDC6KF28H207115	5VCDC6LE18H207175	5VCDC6KF18H207221
5VCDC6JF98H207078	5VCDC6KF48H207116	5VCDC6LE38H207176	5VCDC6KF38H207222
5VCDC6JF08H207079	5VCDC6KF68H207117	5VCDC6LE58H207177	5VCDC6LE88H207223
5VCDC6JF78H207080	5VCDC6KF88H207118	5VCDC6LE78H207178	5VCDC6LEX8H207224
5VCDC6JF98H207081	5VCDC6JF88H207119	5VCDC6LE98H207179	5VCDC6LE18H207225
5VCDC6JF08H207082	5VCDC6JF48H207120	5VCDC6JF08H207180	5VCDC6LE38H207226
5VCDC6JF28H207083	5VCDC6JF68H207121	5VCDC6JF28H207181	5VCDC6LE58H207227
5VCDC6JF88H207086	5VCDC6JF88H207122	5VCDC6JF88H207184	5VCDC6LE78H207228
5VCDC6JFX8H207087	5VCDC6JF58H207126	5VCDC6JFX8H207185	5VCDC6LE98H207229
5VCDC6JF18H207088	5VCDC6JF78H207127	5VCDC6JF18H207186	5VCDC6LE58H207230
5VCDC6JF38H207089	5VCDC6JF98H207128	5VCDC6JF38H207187	5VCDC6LE78H207231
5VCDC6JFX8H207090	5VCDC6JF08H207129	5VCDC6JF58H207188	5VCDC6LE98H207232
5VCDC6JF18H207091	5VCDC6JF78H207130	5VCDC6JF78H207189	5VCDC6LE08H207233
5VCDC6JF38H207092	5VCDC6JF98H207131	5VCDC6JF88H207198	5VCDC6LE28H207234
5VCDC6JF58H207093	5VCDC6JF08H207132	5VCDC6JFX8H207199	5VCDC6JFX8H207235
5VCDC6JF78H207094	5VCDC6JF48H207148	5VCDC6JF28H207200	5VCDC6JF38H207237
5VCDC6JF98H207095	5VCDC6JF68H207149	5VCDC6JF48H207201	5VCDC6JF58H207238
5VCDC6JF08H207096	5VCDC6JF28H207150	5VCDC6JF68H207202	5VCDC6JF78H207239
5VCDC6JF28H207097	5VCDC6JF48H207151	5VCD36HE18H207203	5VCDC6JF38H207240
5VCDC6JF48H207098	5VCDC6JF18H207155	5VCDC6JFX8H207204	5VCDC6JF58H207241
5VCDC6JF68H207099	5VCDC6JF38H207156	5VCDC6LE68H207205	5VCDC6JF78H207242
5VCDC6JF98H207100	5VCDC6JF58H207157	5VCDC6LE88H207206	5VCDC6JF98H207243
5VCDC6JF08H207101	5VCDC6JF78H207158	5VCDC6JF58H207207	5VCDC6JF08H207244
5VCDC6JF28H207102	5VCDC6JF98H207159	5VCDC6JF78H207208	5VCDC6JF28H207245
5VCDC6JF48H207103	5VCDC6JF98H207162	5VCDC6KF08H207209	5VCDC6JF48H207246
5VCDC6JF68H207104	5VCDC6JF08H207163	5VCDC6KF78H207210	5VCDC6JF68H207247
5VCDC6KFX8H207105	5VCDC6JF28H207164	5VCDC6KF98H207211	5VCDC6JF88H207248
5VCDC6KF18H207106	5VCDC6JF48H207165	5VCDC6KF08H207212	5VCDC6JFX8H207249
5VCDC6KF38H207107	5VCDC6JF68H207166	5VCDC6KF28H207213	5VCDC6JF68H207250
5VCDC6KF58H207108	5VCDC6JF88H207167	5VCDC6KF48H207214	5VCDC6JF88H207251



SP 7-408-001 SERVICE PROGRAM

March, 2013

5VDC6JFX8H207252
 5VDC6JF58H207255
 5VDC6JF78H207256
 5VDC6JF98H207257
 5VDC6JF08H207258
 5VDC6JF28H207259
 5VDC6JF98H207260
 5VDC6LE58H207261
 5VDC6LE78H207262
 5VDC6LE98H207263
 5VCD36HF98H207264
 5VCD36HF08H207265
 5VCD36HF28H207266
 5VCD36HF48H207267
 5VDC6JF38H207268
 5VDC6JF58H207269
 5VDC6JF18H207270
 5VDC6JF38H207271
 5VDC6KF78H207272
 5VDC6KF98H207273
 5VDC6JF98H207274
 5VDC6JF08H207275
 5VDC6JF28H207276
 5VDC6JF48H207277
 5VDC6JF68H207278
 5VDC6JF88H207279
 5VDC6JF48H207280
 5VDC6JF68H207281
 5VDC6JF88H207282
 5VDC6JFX8H207283
 5VDC6JF18H207284
 5VDC6JF88H207296
 5VDC6LE48H207297
 5VDC6LE68H207298
 5VDC6LE88H207299
 5VDC6LE08H207300

5VDC6LE28H207301
 5VDC6LE48H207302
 5VDC6LE68H207303
 5VCD36LE88H207304
 5VCD36HF88H207305
 5VDC6JF18H207317
 5VDC6KF58H207318
 5VDC6KF78H207319
 5VDC6KF38H207320
 5VDC6JF38H207321
 5VDC6JF58H207322
 5VDC6JF78H207323
 5VDC6JF98H207324
 5VDC6JF08H207325
 5VDC6JF28H207326
 5VDC6KFX8H207329
 5VDC6KF68H207330
 5VDC6KF88H207331
 5VDC6KFX8H207332
 5VDC6KF18H207333
 5VDC6KF38H207334
 5VDC6KF58H207335
 5VDC6KF78H207336
 5VDC6KF98H207337
 5VDC6KF08H207338
 5VDC6KF28H207339
 5VDC6KF98H207340
 5VDC6KF08H207341
 5VDC6KF28H207342
 5VDC6KF48H207343
 5VDC6KF68H207344
 5VDC6LE08H207345
 5VDC6KFX8H207346
 5VDC6KF58H207349
 5VDC6KF18H207350
 5VDC6KF38H207351

5VDC6KF78H207353
 5VDC6KF98H207354
 5VDC6KF08H207355
 5VDC6KF28H207356
 5VDC6KF48H207357
 5VDC6KF68H207358
 5VDC6KF88H207359
 5VDC6KF48H207360
 5VDC6KF68H207361
 5VDC6KF08H207369
 5VDC6KF78H207403
 5VDC6KF98H207404
 5VDC6KF08H207405
 5VDC6KE38H207406
 5VDC6KE58H207407
 5VDC6KE78H207408
 5VDC6KE98H207409
 5VDC6KE58H207410
 5VDC6KF68H207411
 5VDC6JF18H207429
 5VDC6JF88H207430
 5VDC6JF08H207437
 5VDC6KF88H207443
 5VDC6KFX8H207444
 5VDC6JFX8H207462
 5VDC6JF18H207463
 5VDC6JF38H207464
 5VDC6JF58H207465
 5VDC6LE18H207466
 5VDC6LE38H207467
 5VDC6LE58H207468
 5VDC6LE78H207469
 5VDC6LE38H207470
 5VDC6LE58H207471
 5VDC6LE78H207472
 5VDC6LE98H207473

5VDC6LE08H207474
 5VDC6LE28H207475
 5VDC6LE48H207476
 5VDC6LE68H207477
 5VDC6LE88H207481
 5VDC6LEX8H207482
 5VDC6LE18H207483
 5VDC6LE38H207484
 5VDC6LE58H207485
 5VDC6LE78H207486
 5VDC6KF68H207487
 5VDC6LE08H207488
 5VDC6LE28H207489
 5VDC6LE98H207490
 5VDC6LE08H207491
 5VDC6LE28H207492
 5VDC6LE48H207493
 5VDC6LE68H207494
 5VDC6LE88H207495
 5VDC6LEX8H207496
 5VDC6LE18H207497
 5VDC6LE38H207498
 5VDC6LE58H207499
 5VDC6JF38H207500
 5VDC6JF58H207501
 5VDC6JF78H207502
 5VDC6JF98H207503
 5VDC6JF08H207504
 5VDC6JF28H207505
 5VDC6JF48H207506
 5VDC6JF68H207507
 5VDC6JF88H207508
 5VDC6JFX8H207509
 5VDC6JF68H207510
 5VDC6JF88H207511
 5VDC6JFX8H207512

Autocar, LLC
 551 South Washington Street
 Hagerstown, IN 47346
 877-973-3486

SP 7-408-001 SERVICE PROGRAM

March, 2013

5VCDC6JF18H207513	5VCD36LE48H207607	5VCD36HE89H207667	5VCDC6KF59H207739
5VCDC6JF38H207514	5VCDC6JF18H207611	5VCDC6JF59H207693	5VCDC6KF19H207740
5VCDC6JF58H207515	5VCDC6LE88H207612	5VCDC6KG79H207704	5VCDC6KF39H207741
5VCDC6JF78H207516	5VCDC6LEX8H207613	5VCDC6KG99H207705	5VCDC6KF59H207742
5VCDC6JF98H207517	5VCDC6LE18H207614	5VCDC6KG09H207706	5VCDC6KF29H207746
5VCDC6JF08H207518	5VCDC6LE38H207615	5VCDC6KE49H207707	5VCD36LE79H207747
5VCDC6JF28H207519	5VCDC6LE58H207616	5VCDC6KE69H207708	5VCDC6KF69H207748
5VCDC6JF98H207520	5VCDC6LE78H207617	5VCDC6KE89H207709	5VCDC6HEX9H207749
5VCDC6JF08H207521	5VCDC6LE98H207618	5VCDC6KE49H207710	5VCDC6KF39H207755
5VCDC6JF28H207522	5VCDC6LE08H207619	5VCDC6KE69H207711	5VCDC6KF59H207756
5VCDC6JF48H207523	5VCDC6LE78H207620	5VCDC6KE89H207712	5VCDC6KF79H207757
5VCDC6JF68H207524	5VCDC6LE98H207621	5VCDC6KEX9H207713	5VCDC6KF99H207758
5VCDC6JF88H207525	5VCDC6LE08H207622	5VCDC6KE19H207714	5VCDC6KF09H207759
5VCDC6JFX8H207526	5VCDC6LE28H207623	5VCDC6KE39H207715	5VCDC6KF79H207760
5VCD36HE58H207527	5VCDC6LE48H207624	5VCDC6KE59H207716	5VCDC6KF99H207761
5VCDC6KF38H207530	5VCDC6LE68H207625	5VCDC6KE79H207717	5VCDC6KF09H207762
5VCDC6JF28H207536	5VCDC6LE88H207626	5VCDC6KE99H207718	5VCDC6KF49H207764
5VCDC6KF68H207537	5VCDC6LEX8H207627	5VCDC6KE09H207719	5VCDC6KF69H207765
5VCDC6KE28H207557	5VCDC6JF78H207628	5VCDC6KE79H207720	5VCDC6KF89H207766
5VCDC6KE48H207558	5VCDC6JF98H207629	5VCDC6KE99H207721	5VCDC6KFX9H207767
5VCDC6KF28H207566	5VCDC6KF78H207630	5VCDC6KE09H207722	5VCDC6KF19H207768
5VCDC6KF48H207567	5VCDC6HE29H207633	5VCDC6KE29H207723	5VCDC6KF39H207769
5VCDC6KF68H207568	5VCDC6HE49H207634	5VCDC6KE49H207724	5VCDC6KFX9H207770
5VCDC6KF88H207569	5VCDC6HE69H207635	5VCDC6KE69H207725	5VCDC6KH39H207773
5VCDC6KF48H207570	5VCDC6HE89H207636	5VCDC6KE89H207726	5VCDC6KH59H207774
5VCDC6KF68H207571	5VCDC6HEX9H207637	5VCDC6KEX9H207727	5VCDC6KH79H207775
5VCDC6KF88H207572	5VCD36JF39H207644	5VCDC6KE19H207728	5VCDC6KH99H207776
5VCDC6KFX8H207573	5VCD36JF59H207645	5VCDC6KE39H207729	5VCDC6KH09H207777
5VCDC6KF18H207574	5VCD36JF79H207646	5VCDC6KEX9H207730	5VCDC6KF69H207779
5VCDC6KF78H207577	5VCD36JF99H207647	5VCDC6KE19H207731	5VCDC6KF29H207780
5VCDC6KF98H207578	5VCD36JF09H207648	5VCDC6KE39H207732	5VCDC6JF19H207786
5VCDC6KF08H207579	5VCD36JF29H207649	5VCDC6KE79H207734	5VCDC6JF39H207787
5VCDC6KF88H207586	5VCDC6HE69H207652	5VCDC6KE99H207735	5VCDC6JF59H207788
5VCDC6KFX8H207587	5VCDC6LE99H207653	5VCDC6KFX9H207736	5VCDC6JF69H207797
5VCDC6KF18H207588	5VCDC6LE09H207654	5VCDC6KF19H207737	5VCDC6LEX9H207810
5VCDC6KF38H207589	5VCDC6LE89H207658	5VCDC6KF39H207738	5VCDC6KF99H207811

SP 7-408-001 SERVICE PROGRAM

March, 2013

5VCDC6KF09H207812	5VCDC6KF89H207900	5VCDC6LE99H207958	5VCDC6KF29H208024
5VCDC6KF89H207833	5VCDC6KFX9H207901	5VCDC6LE09H207959	5VCDC6KF49H208025
5VCDC6KFX9H207834	5VCDC6KF19H207902	5VCDC6LE79H207960	5VCDC6KF69H208026
5VCDC6KF19H207835	5VCDC6JF19H207903	5VCDC6LE99H207961	5VCDC6KF89H208027
5VCDC6KF39H207836	5VCDC6JF39H207904	5VCDC6LE09H207962	5VCDC6KFX9H208028
5VCDC6KF59H207837	5VCDC6KF99H207906	5VCDC6KFX9H207963	5VCDC6KF19H208029
5VCDC6KF79H207838	5VCDC6KF09H207907	5VCDC6KF19H207964	5VCDC6JF69H208030
5VCDC6KF99H207839	5VCDC6JF49H207913	5VCDC6KF39H207965	5VCDC6LEX9H208035
5VCDC6KF59H207840	5VCDC6JF69H207914	5VCDC6KF59H207966	5VCDC6LE19H208036
5VCDC6LE49H207849	5VCDC6JF89H207915	5VCDC6HE99H207967	5VCDC6LE39H208037
5VCDC6LE09H207850	5VCDC6HE19H207929	5VCDC6LE59H207973	5VCDC6LE59H208038
5VCDC6LE29H207851	5VCDC6HE89H207930	5VCDC6LE79H207974	5VCDC6LE79H208039
5VCDC6LE49H207852	5VCDC6KH69H207931	5VCDC6KF69H207975	5VCDC6LE39H208040
5VCDC6LE69H207853	5VCDC6HE19H207932	5VCDC6KF89H207976	5VCDC6LE59H208041
5VCDC6LE89H207854	5VCDC6HE39H207933	5VCDC6KFX9H207977	5VCDC6LE79H208042
5VCDC6LEX9H207855	5VCDC6HE59H207934	5VCDC6KF19H207978	5VCDC6LE99H208043
5VCDC6KF99H207856	5VCDC6HE79H207935	5VCDC6KF59H207983	5VCDC6LE09H208044
5VCDC6KF59H207868	5VCDC6HE99H207936	5VCDC6KF79H207984	5VCDC6LE29H208045
5VCDC6KF79H207869	5VCDC6HE09H207937	5VCDC6KF99H207985	5VCDC6LE49H208046
5VCDC6KF39H207870	5VCDC6HE29H207938	5VCDC6KF09H207986	5VCDC6JF19H208047
5VCDC6KF59H207871	5VCDC6HE49H207939	5VCDC6JF79H207999	5VCDC6LE89H208048
5VCDC6KF79H207872	5VCDC6HE09H207940	5VCDC6JF89H208000	5VCDC6KF79H208049
5VCDC6KF99H207873	5VCDC6KGX9H207941	5VCDC6JFX9H208001	5VCDC6JF89H208059
5VCDC6KF09H207874	5VCDC6HE49H207942	5VCDC6HE59H208002	5VCDC6JF49H208060
5VCDC6KF29H207875	5VCDC6HE69H207943	5VCDC6HE79H208003	5VCDC6JF69H208061
5VCDC6KF49H207876	5VCDC6HE89H207944	5VCDC6HE99H208004	5VCDC6JF89H208062
5VCDC6KF69H207877	5VCDC6HEX9H207945	5VCDC6HE09H208005	5VCDC6JFX9H208063
5VCDC6KF89H207878	5VCDC6HE19H207946	5VCDC6HE29H208006	5VCDC6JF19H208064
5VCDC6KFX9H207879	5VCDC6JFX9H207950	5VCDC6HE49H208007	5VCDC6JF39H208065
5VCDC6HE69H207893	5VCDC6JF19H207951	5VCDC6HE69H208008	5VCDC6JF59H208066
5VCDC6HE89H207894	5VCDC6JF39H207952	5VCDC6HE89H208009	5VCDC6JF79H208067
5VCDC6HEX9H207895	5VCDC6LEX9H207953	5VCDC6HE49H208010	5VCDC6JF99H208068
5VCDC6HE19H207896	5VCDC6LE19H207954	5VCDC6HE69H208011	5VCDC6JF09H208069
5VCDC6HE39H207897	5VCDC6LE39H207955	5VCDC6HE19H208014	5VCDC6JF79H208070
5VCDC6KF39H207898	5VCDC6LE59H207956	5VCDC6HE39H208015	5VCDC6JF99H208071
5VCDC6KF59H207899	5VCDC6LE79H207957	5VCDC6JF59H208018	5VCDC6JF09H208072



SP 7-408-001 SERVICE PROGRAM

March, 2013

5VCDC6JF29H208073	5VCDC6JF99H208149	5VCDC6KF89H208190	5VCDC6JF59H208357
5VCDC6JF49H208074	5VCDC6JF59H208150	5VCDC6KFX9H208191	5VCDC6JF79H208358
5VCDC6JF69H208075	5VCDC6JF79H208151	5VCDC6KF19H208192	5VCDC6JF99H208359
5VCDC6JF89H208076	5VCDC6JF69H208156	5VCDC6KF39H208193	5VCDC6JF59H208360
5VCDC6JFX9H208077	5VCDC6JF89H208157	5VCDC6KF59H208194	5VCDC6JF29H208378
5VCDC6JF19H208078	5VCDC6JFX9H208158	5VCDC6KF79H208195	5VCDC6KE79H208379
5VCDC6JF39H208079	5VCDC6JF19H208159	5VCDC6JF29H208204	5VCDC6HE49H208380
5VCDC6JF19H208081	5VCDC6JF89H208160	5VCDC6KF69H208205	5VCDC6KF49H208381
5VCDC6JF39H208082	5VCDC6JFX9H208161	5VCDC6LE79H208221	5VCDC6KE79H208382
5VCDC6JF59H208083	5VCDC6JF19H208162	5VCDC6LE99H208222	5VCDC6KF89H208383
5VCDC6JF79H208084	5VCDC6JF39H208163	5VCDC6LE09H208223	5VCDC6KFX9H208384
5VCDC6JF99H208085	5VCDC6JF59H208164	5VCDC6LE29H208224	5VCDC6KF19H208385
5VCDC6JF09H208086	5VCDC6JF79H208165	5VCDC6LE49H208225	5VCDC6KF59H208387
5VCDC6JF29H208087	5VCDC6JF99H208166	5VCDC6LE69H208226	5VCDC6KF79H208388
5VCDC6JF49H208088	5VCDC6JF09H208167	5VCDC6LE89H208258	5VCDC6KF99H208389
5VCDC6JF69H208089	5VCDC6JF29H208168	5VCDC6LEX9H208259	5VCDC6KF59H208390
5VCDC6JF29H208090	5VCDC6JF49H208169	5VCDC6LE69H208260	5VCDC6KF29H208413
5VCDC6JF39H208101	5VCDC6KF29H208170	5VCDC6LE89H208261	5VCDC6KF69H208415
5VCDC6JF59H208102	5VCDC6KF49H208171	5VCDC6LEX9H208262	5VCDC6KF89H208416
5VCDC6LE99H208107	5VCDC6JF49H208172	5VCDC6LE19H208263	5VCDC6KFX9H208417
5VCDC6LE09H208108	5VCDC6JF69H208173	5VCDC6LE39H208264	5VCDC6KF19H208418
5VCDC6LE29H208109	5VCDC6JF89H208174	5VCDC6LE59H208265	5VCDC6JF19H208419
5VCDC6LE99H208110	5VCDC6JFX9H208175	5VCDC6LE79H208266	5VCDC6JF89H208420
5VCDC6LE09H208111	5VCDC6JF19H208176	5VCDC6LE99H208267	5VCDC6JFX9H208421
5VCDC6LE29H208112	5VCDC6JF39H208177	5VCDC6JF89H208336	5VCDC6KF39H208422
5VCDC6LE49H208113	5VCDC6JF59H208178	5VCDC6JFX9H208337	5VCDC6KF59H208423
5VCDC6LE69H208114	5VCDC6JF79H208179	5VCDC6LE69H208338	5VCDC6KF79H208424
5VCDC6LE89H208115	5VCDC6JF39H208180	5VCDC6JF39H208339	5VCDC6KF99H208425
5VCDC6JF89H208126	5VCDC6JF59H208181	5VCDC6JFX9H208340	5VCDC6LE29H208434
5VCDC6HEX9H208142	5VCDC6KF09H208183	5VCDC6KF79H208343	5VCDC6JFX9H208435
5VCDC6KE09H208143	5VCDC6JF28H208184	5VCDC6KF99H208344	5VCDC6JF19H208436
5VCDC6LE49H208144	5VCDC6JF48H208185	5VCDC6JF69H208352	5VCDC6LE89H208437
5VCDC6JF19H208145	5VCDC6KF69H208186	5VCDC6JF89H208353	5VCDC6KF49H208459
5VCDC6JF39H208146	5VCDC6KF89H208187	5VCDC6HE39H208354	5VCDC6KF09H208460
5VCDC6JF59H208147	5VCDC6KFX9H208188	5VCDC6JF19H208355	5VCDC6KF29H208461
5VCDC6JF79H208148	5VCDC6KF19H208189	5VCDC6JF39H208356	5VCDC6KF49H208462



SP 7-408-001 SERVICE PROGRAM

March, 2013

5VCDC6KF69H208463	5VCDC6KE59H208591	5VCDC6KE09H208627	5VCDC6KF39H208727
5VCDC6JF69H208481	5VCDC6KE79H208592	5VCDC6KE29H208628	5VCDC6KF59H208728
5VCDC6KFX9H208482	5VCDC6KE99H208593	5VCDC6KE49H208629	5VCDC6KEX9H208747
5VCDC6KE29H208502	5VCDC6KE09H208594	5VCDC6KE09H208630	5VCDC6KF09H208748
5VCDC6KE49H208503	5VCDC6KE29H208595	5VCDC6KE29H208631	5VCDC6KF29H208749
5VCDC6KE69H208504	5VCDC6KE49H208596	5VCDC6KE49H208632	5VCDC6KF99H208750
5VCDC6KE89H208505	5VCDC6KE69H208597	5VCDC6KE69H208633	5VCDC6KF09H208751
5VCDC6KEX9H208506	5VCDC6KE89H208598	5VCDC6KE89H208634	5VCDC6KFX9H208756
5VCDC6KE19H208507	5VCDC6KEX9H208599	5VCDC6KEX9H208635	5VCDC6JF29H208784
5VCDC6KE39H208508	5VCDC6KE29H208600	5VCDC6KE19H208636	5VCDC6JF49H208785
5VCDC6KE59H208509	5VCDC6KE49H208601	5VCDC6JF09H208637	5VCDC6KF89H208786
5VCDC6KE19H208510	5VCDC6KE69H208602	5VCDC6KF39H208646	5VCDC6KFX9H208787
5VCDC6KE39H208511	5VCDC6KE89H208603	5VCDC6LE29H208658	5VCDC6KF19H208788
5VCDC6KF39H208534	5VCDC6KEX9H208604	5VCDC6LE49H208659	5VCDC6KF39H208789
5VCD36LE89H208535	5VCDC6KE19H208605	5VCDC6LE09H208660	5VCDC6LE59H208797
5VCDC6KF79H208536	5VCDC6KE39H208606	5VCDC6LE29H208661	5VCDC6LE79H208798
5VCDC6KF99H208537	5VCDC6KE59H208607	5VCDC6LE49H208662	5VCDC6LE99H208799
5VCDC6KF29H208542	5VCDC6KE79H208608	5VCDC6LE69H208663	5VCDC6LE19H208800
5VCDC6KF69H208544	5VCDC6KE99H208609	5VCDC6LE89H208664	5VCDC6LE39H208801
5VCDC6KF89H208545	5VCDC6KE59H208610	5VCDC6LEX9H208665	5VCDC6LE09H208805
5VCDC6KFX9H208546	5VCDC6KE79H208611	5VCDC6LE19H208666	5VCDC6LE29H208806
5VCDC6KE99H208576	5VCDC6KE99H208612	5VCDC6LE39H208667	5VCDC6LE49H208807
5VCDC6KE09H208577	5VCDC6KE09H208613	5VCDC6KF49H208669	5VCDC6LE69H208808
5VCDC6KE29H208578	5VCDC6KE29H208614	5VCDC6KF09H208670	5VCDC6LE89H208809
5VCDC6KE49H208579	5VCDC6KE49H208615	5VCDC6KF29H208671	5VCDC6KF79H208813
5VCDC6KE09H208580	5VCDC6KE69H208616	5VCDC6KF89H208674	5VCDC6KF69H208818
5VCDC6KE29H208581	5VCDC6KE89H208617	5VCDC6KFX9H208675	5VCDC6KE29H208838
5VCDC6KE49H208582	5VCDC6KEX9H208618	5VCDC6KF19H208676	5VCDC6KE49H208839
5VCDC6KE69H208583	5VCDC6KE19H208619	5VCDC6KF39H208677	5VCDC6KE09H208840
5VCDC6KE89H208584	5VCDC6KE89H208620	5VCDC6JF39H208678	5VCDC6KE29H208841
5VCDC6KEX9H208585	5VCDC6KEX9H208621	5VCDC6HE99H208679	5VCDC6JF09H208864
5VCDC6KE19H208586	5VCDC6KE19H208622	5VCDC6KF19H208709	5VCDC6JF29H208865
5VCDC6KE39H208587	5VCDC6KE39H208623	5VCDC6KF89H208710	5VCDC6JF49H208866
5VCDC6KE59H208588	5VCDC6KE59H208624	5VCDC6KFX9H208711	5VCDC6JF69H208867
5VCDC6KE79H208589	5VCDC6KE79H208625	5VCDC6KF19H208712	5VCDC6KG99H208885
5VCDC6KE39H208590	5VCDC6KE99H208626	5VCDC6KF39H208713	5VCDC6KF19H208886

Autocar, LLC
551 South Washington Street
Hagerstown, IN 47346
877-973-3486



SP 7-408-001 SERVICE PROGRAM

March, 2013

5VCDC6KE49H208887	5VCDC6LE49H208967	5VCDC6KF09H209060	5VCDC6LE49H209116
5VCDC6KE69H208888	5VCDC6KF39H209005	5VCDC6KF29H209061	5VCDC6LE69H209117
5VCDC6KF79H208889	5VCDC6LE99H209015	5VCDC6KF49H209062	5VCDC6LE89H209118
5VCDC6JF59H208892	5VCDC6KE99H209016	5VCDC6KF69H209063	5VCDC6LEX9H209119
5VCDC6JF79H208893	5VCDC6KE09H209017	5VCDC6KF89H209064	5VCDC6LE69H209120
5VCDC6JF99H208894	5VCDC6KF19H209018	5VCDC6KF9H209065	5VCDC6LE89H209121
5VCDC6JF09H208895	5VCDC6KF39H209019	5VCDC6KF19H209066	5VCDC6LEX9H209122
5VCDC6JF29H208896	5VCDC6KF9H209020	5VCDC6KF39H209067	5VCDC6LE19H209123
5VCDC6JF49H208897	5VCDC6KE29H209021	5VCDC6LEX9H209069	5VCDC6LE39H209124
5VCDC6JF69H208903	5VCDC6LE69H209022	5VCDC6LE69H209070	5VCDC6LE59H209125
5VCDC6JF89H208904	5VCDC6LE89H209023	5VCDC6LE89H209071	5VCDC6LE79H209126
5VCDC6JFX9H208905	5VCDC6LEX9H209024	5VCDC6LEX9H209072	5VCDC6LE99H209127
5VCDC6JF19H208906	5VCDC6LE19H209025	5VCDC6LE19H209073	5VCDC6LE09H209128
5VCDC6KF89H208920	5VCDC6LE39H209026	5VCDC6LE39H209074	5VCDC6KF89H209131
5VCDC6KF9H208921	5VCDC6LE59H209027	5VCDC6KE39H209075	5VCDC6KF9H209132
5VCDC6KF19H208922	5VCDC6LE79H209028	5VCDC6KE59H209076	5VCDC6KF19H209133
5VCDC6KF39H208923	5VCDC6LE99H209029	5VCDC6KF59H209085	5VCDC6KF39H209134
5VCDC6KF59H208924	5VCDC6LE59H209030	5VCDC6KF79H209086	5VCDC6KF59H209135
5VCDC6KF79H208925	5VCDC6LE79H209031	5VCDC6KF99H209087	5VCDC6KF29H209142
5VCDC6KF99H208926	5VCDC6LE99H209032	5VCDC6KF09H209088	5VCDC6KF49H209143
5VCDC6KF09H208927	5VCDC6LE09H209033	5VCDC6KF29H209089	5VCDC6KF9H209146
5VCDC6KF29H208928	5VCDC6LE29H209034	5VCDC6KF9H209096	5VCDC6KF19H209147
5VCDC6JF29H208929	5VCDC6LEX9H209041	5VCDC6LE49H209097	5VCDC6KF39H209148
5VCDC6JF99H208930	5VCDC6LE19H209042	5VCDC6LE69H209098	5VCDC6KF59H209149
5VCDC6KF89H208951	5VCDC6LE39H209043	5VCDC6LE89H209099	5VCDC6KF19H209150
5VCDC6KF9H208952	5VCDC6LE59H209044	5VCDC6LE09H209100	5VCDC6KF39H209151
5VCDC6KF19H208953	5VCDC6LE79H209045	5VCDC6LE29H209101	5VCDC6KF59H209152
5VCDC6KF39H208954	5VCDC6LE99H209046	5VCDC6LE49H209102	5VCDC6KF79H209153
5VCDC6KF59H208955	5VCDC6KF19H209052	5VCDC6LE69H209103	5VCDC6KF99H209154
5VCDC6KF79H208956	5VCDC6KF39H209053	5VCDC6LE89H209104	5VCDC6LE49H209164
5VCDC6KF99H208957	5VCDC6KF59H209054	5VCDC6LEX9H209105	5VCDC6LE69H209165
5VCDC6KF09H208958	5VCDC6KF79H209055	5VCDC6LE19H209106	5VCDC6KE69H209166
5VCDC6KF29H208959	5VCDC6KF99H209056	5VCDC6LE39H209107	5VCDC6KF29H209187
5VCDC6LE99H208964	5VCDC6KF09H209057	5VCDC6KF29H209108	5VCDC6KF49H209188
5VCDC6LE09H208965	5VCDC6KF29H209058	5VCDC6KF49H209109	5VCDC6KF69H209189
5VCDC6LE29H208966	5VCDC6KF49H209059	5VCDC6LE29H209115	5VCDC6KF29H209190

SP 7-408-001

SERVICE PROGRAM

March, 2013

5VCDC6KF49H209191	5VCDC6LE79H209241	5VCDC6LE69H209277	5VCDC6JF09H209657
5VCDC6KF69H209192	5VCDC6LE99H209242	5VCDC6LE89H209278	5VCDC6LE39H209673
5VCDC6KF89H209193	5VCDC6LE09H209243	5VCDC6LEX9H209279	5VCDC6LE59H209674
5VCDC6KFX9H209194	5VCDC6LE29H209244	5VCDC6LE69H209280	5VCDC6LE79H209675
5VCDC6KF59H209197	5VCDC6LE49H209245	5VCDC6LE89H209281	5VCDC6LE99H209676
5VCDC6KF79H209198	5VCDC6LE69H209246	5VCDC6LEX9H209282	5VCDC6LE09H209677
5VCDC6KF99H209199	5VCDC6LE89H209247	5VCDC6LE19H209283	5VCDC6LE29H209678
5VCDC6KF19H209200	5VCDC6LEX9H209248	5VCDC6LE39H209284	5VCDC6LE49H209679
5VCDC6KF39H209201	5VCDC6LE19H209249	5VCDC6JF49H209287	5VCDC6HE49H209755
5VCDC6KF59H209202	5VCDC6LE89H209250	5VCDC6JF29H209322	5VCDC6KG7AH209764
5VCDC6KF79H209203	5VCDC6LEX9H209251	5VCDC6KF59H209328	5VCDC6KG9AH209765
5VCDC6KF99H209204	5VCDC6LE19H209252	5VCDC6KF79H209329	5VCDC6JF5AH209786
5VCDC6KF09H209205	5VCDC6LE39H209253	5VCDC6KF39H209330	5VCDC6JF1AH209798
5VCDC6LE79H209207	5VCDC6LE59H209254	5VCDC6KF59H209331	5VCDC6JF5AH209805
5VCDC6KF89H209209	5VCDC6LE79H209255	5VCDC6KF79H209332	5VCDC6JF49H209807
5VCDC6KF69H209211	5VCDC6LE99H209256	5VCDC6JF39H209393	5VCDC6JF69H209808
5VCDC6LE09H209212	5VCDC6LE09H209257	5VCDC6LE59H209433	5VCDC6LE2AH209829
5VCDC6LE29H209213	5VCDC6LE29H209258	5VCDC6LE79H209434	5VCDC6HE4AH209839
5VCDC6LE49H209214	5VCDC6LE49H209259	5VCDC6LE99H209435	5VCDC6KG3AH209874
5VCDC6KF39H209215	5VCDC6LE09H209260	5VCDC6LE09H209436	5VCDC6KG5AH209875
5VCDC6KF59H209216	5VCDC6LE29H209261	5VCDC6JF89H209437	5VCDC6KG7AH209876
5VCDC6KF79H209217	5VCDC6LE49H209262	5VCDC6JFX9H209438	5VCDC6KG9AH209877
5VCDC6KF99H209218	5VCDC6LE69H209263	5VCD36JF19H209439	5VCDC6KG0AH209878
5VCDC6KF09H209219	5VCDC6LE89H209264	5VCDC6JF09H209450	5VCDC6KG2AH209879
5VCDC6LE19H209221	5VCDC6LEX9H209265	5VCDC6JF29H209451	5VCDC6KG9AH209880
5VCDC6LE39H209222	5VCDC6LE19H209266	5VCDC6JF49H209452	5VCDC6KG0AH209881
5VCDC6LE59H209223	5VCDC6LE39H209267	5VCDC6LE09H209453	5VCDC6KG2AH209882
5VCDC6LE49H209228	5VCDC6LE59H209268	5VCDC6LE29H209454	5VCDC6KG4AH209883
5VCDC6LE69H209229	5VCDC6LE79H209269	5VCDC6LE49H209455	5VCDC6KG6AH209884
5VCDC6LE29H209230	5VCDC6LE39H209270	5VCDC6LE69H209456	5VCDC6KG8AH209885
5VCDC6LE49H209231	5VCDC6LE59H209271	5VCDC6LE89H209457	5VCDC6KGXAH209886
5VCDC6LE69H209232	5VCDC6LE79H209272	5VCDC6LEX9H209458	5VCDC6JF6AH209893
5VCDC6LE59H209237	5VCDC6LE99H209273	5VCDC6LE19H209459	5VCD36JF7AH209918
5VCDC6LE79H209238	5VCDC6LE09H209274	5VCDC6JF59H209492	5VCDC6KE2AH209993
5VCDC6LE99H209239	5VCDC6LE29H209275	5VCDC6JF79H209493	5VCDC6KE4AH209994
5VCDC6LE59H209240	5VCDC6LE49H209276	5VCDC6KF09H209494	5VCDC6KE6AH209995

SP 7-408-001 SERVICE PROGRAM

March, 2013

- | | |
|------------------|-------------------|
| 5VDC6KE8AH209996 | 5VDC6KE6AH210032 |
| 5VDC6KEXAH209997 | 5VDC6KE8AH210033 |
| 5VDC6KE1AH209998 | 5VDC6KEXAH210034 |
| 5VDC6KE3AH209999 | 5VDC6KE1AH210035 |
| 5VDC6KE4AH210000 | 5VDC6KE3AH210036 |
| 5VDC6KE6AH210001 | 5VDC6KE5AH210037 |
| 5VDC6KE8AH210002 | 5VDC6KE7AH210038 |
| 5VDC6KEXAH210003 | 5VDC6KE9AH210039 |
| 5VDC6KE1AH210004 | 5VDC6KE5AH210040 |
| 5VDC6KE3AH210005 | 5VDC6KE7AH210041 |
| 5VDC6KE5AH210006 | 5VDC6KE9AH210042 |
| 5VDC6KE7AH210007 | 5VDC6KE0AH210043 |
| 5VDC6KE9AH210008 | 5VDC6KE2AH210044 |
| 5VDC6KE0AH210009 | 5VDC6KE4AH210045 |
| 5VDC6KE7AH210010 | 5VDC6KE6AH210046 |
| 5VDC6KE9AH210011 | 5VDC6KE8AH210047 |
| 5VDC6KE0AH210012 | 5VDC6KEXAH210048 |
| 5VDC6KE2AH210013 | 5VDC6KE1AH210049 |
| 5VDC6KE4AH210014 | 5VDC6KE8AH210050 |
| 5VDC6KE6AH210015 | 5VDC6KEXAH210051 |
| 5VDC6KE8AH210016 | 5VDC6KE1AH210052 |
| 5VDC6KEXAH210017 | 5VDC6KE3AH210053 |
| 5VDC6KE1AH210018 | 5VDC6KE5AH210054 |
| 5VDC6KE3AH210019 | 5VDC6KE7AH210055 |
| 5VDC6KEXAH210020 | 5VCD36HE4AH210098 |
| 5VDC6KE1AH210021 | 5VDC6JF2AH210099 |
| 5VDC6KE3AH210022 | 5VDC6JF4AH210105 |
| 5VDC6KE5AH210023 | 5VDC6JF1AH210109 |
| 5VDC6KE7AH210024 | |
| 5VDC6KE9AH210025 | |
| 5VDC6KE0AH210026 | |
| 5VDC6KE2AH210027 | |
| 5VDC6KE4AH210028 | |
| 5VDC6KE6AH210029 | |
| 5VDC6KE2AH210030 | |
| 5VDC6KE4AH210031 | |