



# Technical Bulletin

Model(s)	Year	Eng. Code	Trans. Code	VIN Range From	VIN Range To
Passat	2012 - 2013	All	All	All	All

## Condition

69 13 02 March 15, 2013 2032959

**Airbag Warning Lamp – Front Side Airbag Pressure Sensor Interruption/ Short to B+**



**Note:**

**The condition as described does not affect airbag operation.**

Airbag Warning Lamp Illuminated in Instrument Cluster and one or more of the following DTCs are stored in the airbag control module:

DTC	Description
B101715	Driver's side airbag pressure sensor Interruption/short-circuit to B+
B103615	Passenger's side airbag pressure sensor Interruption/short-circuit to B+

## Technical Background

The Airbag Lamp in the Instrument Cluster may illuminate due to an unsecured electrical connection at the Driver (G179) or Passenger (G180) Airbag Pressure Sensor located in the front door. This condition could also be caused by an unsecured electrical connection at the inline connector between the Airbag Pressure Sensor and the Airbag Module (T28 or T28A) located in the A-Pillar. **It is critical to ensure there are no connector or terminal concerns before suspecting the G179 or G180 Airbag Pressure Sensors.**

If the DTC B101715 and/or B103615 are present, check for *any* additional DTCs in the Airbag Module. If there are additional DTCs present such as faults for Outside Mirror Turn Signal Electrical Malfunction, Front Door Warning lamp Electrical Malfunction, Door Control Module, Bass Speaker, or Lock Unit for Central Locking, perform a visual inspection of the T28 and/or T28A connectors in the A-Pillar area.

# Technical Bulletin

---

## Production Solution

Information only.

## Service

### Procedure:

- Verify airbag indicator lamp in instrument cluster is ON.
- Using GFF, scan vehicle for DTCs.
- Verify DTC B101715 OR DTC B103615 is stored in airbag module.
- Understand if any previous repair or customer action would have resulted in the door harness being disconnected.

### No Door Module Faults:



**If Vehicle only has pressure Sensor Faults B101715 OR B103615 showing in GFF:**



**Figure 1**

- Disconnect battery negative cable.
- Remove door panel and ensure secondary lock is fully seated on the pressure sensor.
- Verify pressure Sensor (5K0.959.354) is properly installed in the front door.

# Technical Bulletin

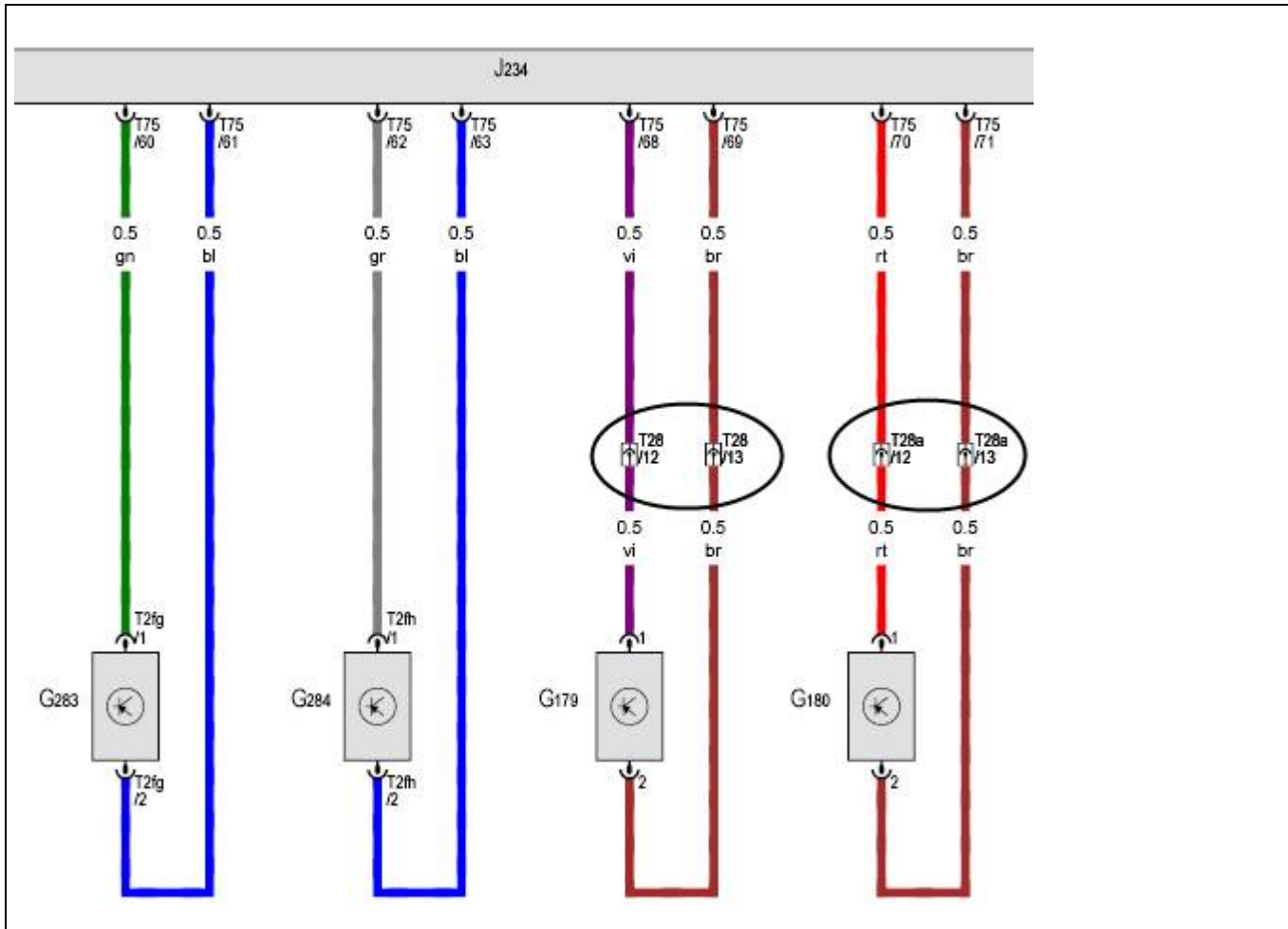
---



Figure 2

- Inspect wiring from pressure Sensor (5K0.959.354) to T28/T28A A-Pillar Door Connector.

# Technical Bulletin



**Figure 3**

- Verify T28/T28A Door Connector Pin 12 and 13 are fully inserted and there are not connection issues.
- Verify T28/T28A Door Connector does not have moisture contamination, and that the connector is fully inserted and locked into the A Pillar mating connector. The connector locking bar needs to be fully seated and no damage is present.
- Reconnect battery negative cable.
- Clear fault memory and recheck for code.
- If fault clears, no connector or wiring damage was found, and the airbag indicator in the instrument cluster does not illuminate, no repairs necessary.
- If the faults do not clear, all connections are secure, and no wiring damage is present further diagnosis is needed. This technical bulletin does not apply.
- Clearly document all checks and findings in the warranty system. Open VTA for any loose/damaged connectors or wiring.

# Technical Bulletin

---

(With Door Module Faults):



If Vehicle has pressure Sensor Faults B101715 OR B103615 AND Door Faults in the Electronic Control Module:



Figure 4

- Disconnect battery negative cable.
- Remove door panel and ensure secondary lock is fully seated on the pressure sensor.
- Verify pressure Sensor (5K0.959.354) is properly installed in the front door.



Figure 5

- Inspect ALL wiring in the front door with the associated faults.



# Technical Bulletin

- Check the T28/T28A Door Connector and verify that ALL pins are fully inserted and there are not connection issues.
- Verify T28/T28A Door Connector does not have moisture contamination, and that the connector is fully inserted and locked into the A Pillar mating connector. The connector locking bar needs to be fully seated and no damage is present.
- Reconnect battery negative cable.
- Clear fault memory and recheck for code.
- If fault clears, no connector or wiring damage was found, and the airbag indicator in the instrument cluster does not illuminate, no repairs necessary.
- If the faults do not clear, all connections are secure, and no wiring damage is present further diagnosis is needed. This technical bulletin does not apply.
- Clearly document all checks and findings in the warranty system. Open VTA for any loose/damaged connectors or wiring.

## Warranty

<b>To determine if this procedure is covered under Warranty, always refer to the Warranty Policies and Procedures Manual <sup>1)</sup></b>					
<b>Model(s)</b>	<b>Year(s)</b>	<b>Eng. Code(s)</b>	<b>Trans. Code(s)</b>	<b>VIN Range From</b>	<b>VIN Range To</b>
<b>Passat</b>	<b>2012 - 2013</b>	<b>All</b>	<b>All</b>	<b>All</b>	<b>All</b>
<b>SAGA Coding</b>					
<b>Claim Type:</b>			<b>Use applicable Claim Type <sup>1)</sup></b>		
<b>Service Number:</b>	<b>Damage Code</b>	<b>HST</b>		<b>Damage Location (Depends on Service No.)</b>	
<b>6968</b>	<b>0026</b>	<b>--</b>		<b>Use applicable when indicated in ElsaWeb (L/R)</b>	
<b>Parts Manufacturer</b>		<b>Passat</b>		<b>TX6 <sup>2)</sup></b>	
<b>No Door Module Faults:</b>					
<b>Labor Operation <sup>3)</sup> : Battery ground strap loosen and fasten</b>			<b>97850950 = 10 TU</b>		
<b>Labor Operation <sup>3)</sup> : Check and verify connector pins (one door)</b>			<b>69510199 = 55 TU</b>		



# Technical Bulletin

Labor Operation <sup>3)</sup> : Check and verify connector pins (two doors)	69510299 = 85 TU
<b>With Door Module Faults:</b>	
Labor Operation <sup>3)</sup> : Battery ground strap loosen and fasten	97850950 = 10 TU
Labor Operation <sup>3)</sup> : Check and verify connector pins (one door)	69510599 = 70 TU
Labor Operation <sup>3)</sup> : Check and verify connector pins (two doors)	69510699 = 100 TU
Causal Part:	Select labor operation 6951****
<b>Diagnostic Time <sup>4)</sup></b>	
GFF Time expenditure	01500000 = 20 TU max. YES
Road Test	01210002 01210004 NO
Technical Diagnosis	01320000 = 00 TU max. NO
<b>Claim Comment: Input "As per Technical Bulletin 2032959" in comment section of Warranty Claim.</b>	
<sup>1)</sup> Vehicle may be outside any Warranty in which case this Technical Bulletin is informational only <sup>2)</sup> Code per warranty vendor code policy. <sup>3)</sup> Labor Time Units (TUs) are subject to change with ELSA updates. <sup>4)</sup> Documentation required per Warranty Policy Procedures Manual.	

## Required Parts and Tools

No Special Parts required.

Tool Description	Tool No:
Midtronics Battery Tester/Charger	InCharge 940 (INC-940)
VAS Diagnostic Tool	VAS-PC, 5051B, 5052A, 6150X (Base CD V19.01.00 and Brand DVD V19.19.00 or higher)



# Technical Bulletin

---

## Additional Information

All part and service references provided in this Technical Bulletin are subject to change and/or removal. Always check with your Parts Dept. and Repair Manuals for the latest information.