

SB-10051930-8927

Freelander Carpet mat fixings SSM (L359) 1a.JPG

Reference SSM62297

Models LR2 / L359
Range Rover Sport / L320

Title L359 Freelander & Range Rover Sport front carpet mat fit

Category Accessories

Last modified 20-Feb-2013 00:00:00

Symptom General Accessories

Issue:

Front carpet clip location may be incorrect

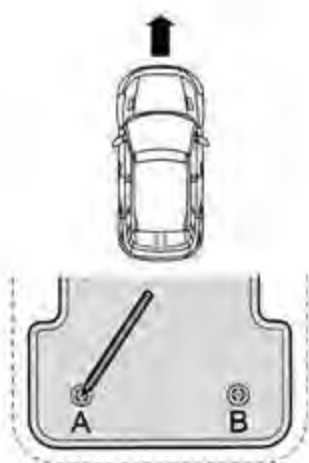
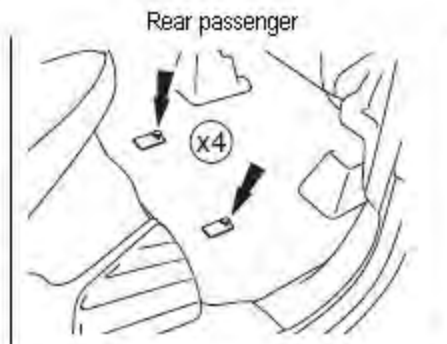
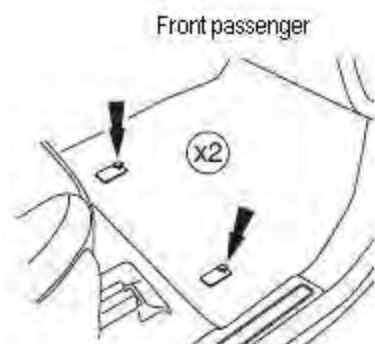
Cause:

Content Poor clip position

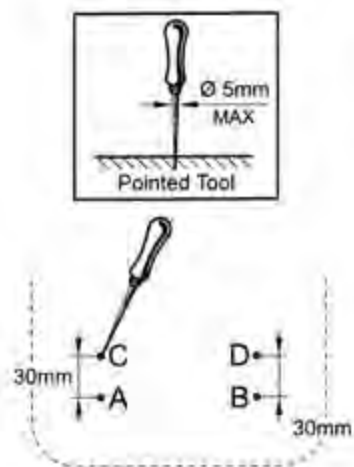
Action:

If it is seen that the front carpet mat does not fit correctly
follow the attached instruction

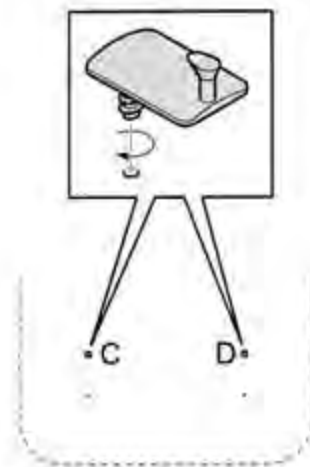
Mats Retention Clips



1. Place mat in position and mark centre of hole positions.



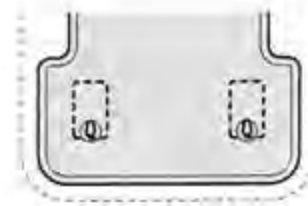
2. Use a pointed tool to spike a small hole in the carpet at points C and D, 30mm forward of marks A and B.



3. Insert mat retention clips into points C and D and turn clockwise until they turn freely.



4. Mat retention clips fitted.



5. Position mat over hooks.