

Crossroads RV
305 Hawpatch Rd.
Topeka, IN 46571
Bulletin # 30

SB-10051880-2483
Technical Service Bulletin
Sunset Trail & Hill Country 5th Wheels

Service Bulletin: 30

Date: February 25, 2013

Issue: Additional Mini breakers needing installed for Usage purposes.

Dear Dealer:

Reason for This Bulletin

Crossroads RV (Crossroads) has decided that certain *Sunset Trail & Hill Country 5th Wheel* brand trailers, manufactured by Crossroads, need Inspected to determine if the proper mini breaker setup was installed to allow for optimal performance of the unit.

The vehicles subject to this bulletin were manufactured and need to have an additional 15 Amp & 30 Amp mini breaker installed if they are missing.

What We Will Do

Crossroads RV, Inc. is providing Bulletin Information and Instructions on the Inspection of the additional mini breaker setup and the Installation Procedures if they are missing.

We will also be sending out a **VIN # List of Each unit that was affected in your Inventory.**

Please use one of the Following Job Codes and attach a Picture of the Current Mini Breaker setup with your Claim so it can be approved for repair or inspection at no cost to you the Dealer.

1. **7200942K** Mini Breakers Missing - Install -.75 for each unit.
2. **7200942M** - Mini Breakers Missing - Inspection - .25 for each unit

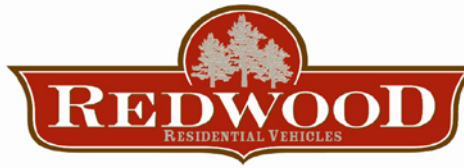
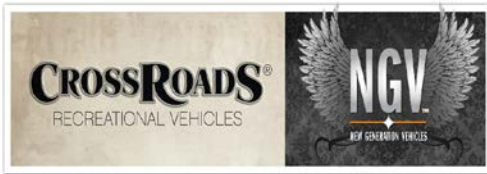
What You Should Do

At your earliest convenience, please have the refer compartments inspected or repaired, we have also sent this letter out to the retail customers to be in contact with their dealerships soon to have this recall completed.

If you have questions concerning this Bulletin or if you need any assistance such as locating a Crossroads authorized dealer or repair facility, please contact the **Crossroads Warranty/Service Department** by mail at Crossroads RV Inc., P.O. BOX 40, Topeka, IN 46571, by email at 'service@crossroadsrv.com', or by phone at 855-226-7496. Please reference **TSB #30** in the *Subject Line*.

Sincerely,

Mark Campbell
Crossroads RV Service Department
Re: Bulletin: #30



Crossroads RV
305 Hawpatch Rd.
Topeka, IN 46571
Bulletin # 30

WIRING BULLETIN FOR 5TH WHEEL WIRING OF BREAKER

CURRENTLY ALL WIRING IS FASTENED TO 50 AMP RESETTABLE BREAKER AS SHOWN IN PHOTO FIGURE 1.

FOR WIRING CHANGE:

1. ADD TWO ADDITIONAL RESETTABLE BREAKERS. ONE WILL BE 30 AMP AND THE OTHER A 15 AMP.
2. ADD A 10GA. JUMPER WIRE FROM THE COPPER TERMINAL TO EACH ADDED BREAKER AS SHOWN IN FIGURE 2.
3. REMOVE 14 GA. WIRE FROM CURRENT 50 AMP TERMINAL AND MOVE TO TERMINAL ON 15 AMP AS SHOWN FIGURE 2.
4. REMOVE ALL 10 GA. WIRES FROM 50 AMP TERMINAL AND MOVE TO THE 30 AMP AS SHOWN FIGURE 2.
5. LEAVE ALL 6 AND 8 GA. WIRES WHERE THEY ARE ON THE 50 AMP BREAKER.

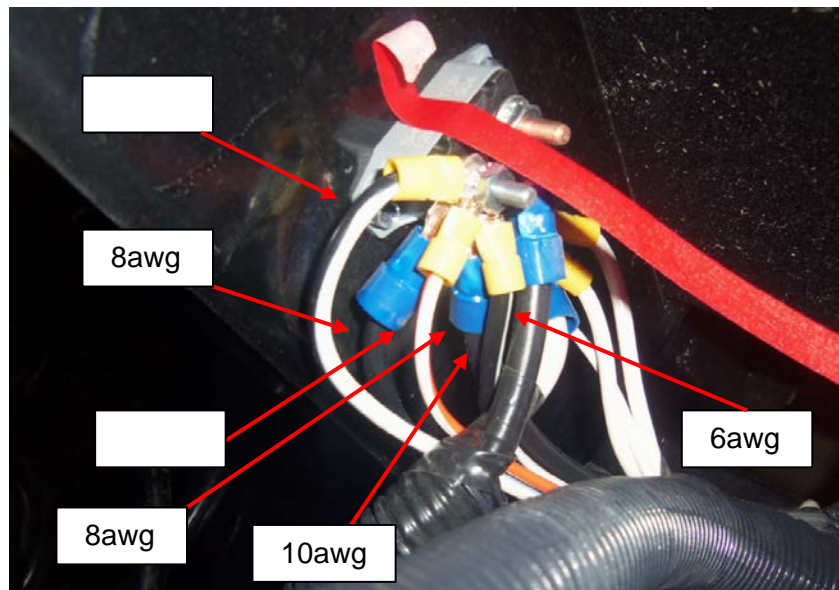
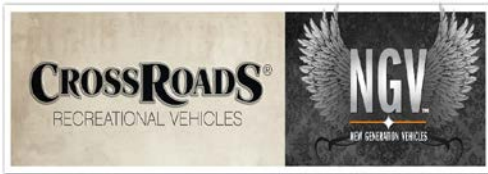


FIGURE 1



Crossroads RV
305 Hawpatch Rd.
Topeka, IN 46571
Bulletin # 30

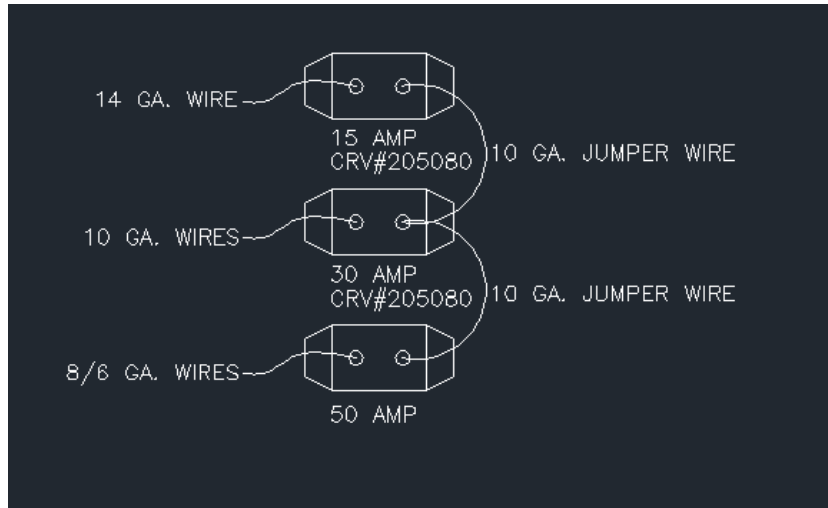


FIGURE 2