

T-SB-0069-12


May 1, 2012

# SRS Airbag Light "ON" - B0111/B0116 Open Side Squib Circuit

**Service Category** Vehicle Interior

**Section** Supplemental Restraint Systems

**Market** USA

Toyota Supports ASE Certification 

## Applicability

YEAR(S)	MODEL(S)	ADDITIONAL INFORMATION
2005 – 2009	Sienna	

### TSB SUPERSESION NOTICE

The information contained in this TSB supersedes TSB No. T-SB-0162-10.

- Production Change Information has been added.
- The entire TSB has been updated.

TSB No. T-SB-0162-10 is Obsolete and any printed versions should be discarded. Be sure to review the entire content of this service bulletin before proceeding.

## Introduction

Some 2005 – 2009 model year Sienna vehicles may exhibit an SRS lamp "ON" condition with Diagnostic Trouble Code (DTC) B0111 and/or B0116. An updated repair procedure is available to address this condition. Follow the procedures in this bulletin to repair the floor harness and repair or replace the side airbag squib circuit.

## TSB Overview

After confirming the vehicle condition matches this bulletin, this TSB will direct you to repair the floor wire harness and depending on production date, replace or repair the side airbag squib circuit. The wire repair to the floor harness and side airbag squib circuit is only approved for vehicles covered by this TSB and is not approved for use on other vehicles. Carefully follow the steps outlined in this TSB to prevent damage to the vehicle.

## Production Change Information

This TSB applies to vehicles produced **BEFORE** the Production Change Effective VINs shown below.

MODEL	DRIVETRAIN	PRODUCTION CHANGE EFFECTIVE VIN
Sienna	2WD	5TDZK23C#9S233852
	AWD	5TDBK23C#9S023266

## SRS Airbag Light "ON" - B0111/B0116 Open Side Squib Circuit

### Warranty Information

OP CODE	DESCRIPTION	TIME	OFP	T1	T2
EL1107	Wire Harness Repair (Driver Power)	1.5	82161-08270	8B	41
EL1108	Wire Harness Repair (Driver Manual)	1.5			
EL1109	Wire Harness Repair (Passenger Power)	1.5			
EL1110	Wire Harness Repair (Passenger Manual)	1.5			
EL1111	Wire Harness Repair (Passenger Fold Flat)	1.5			
EL1112	Wire Harness Repair (Driver Power and Passenger Fold Flat)	1.5			
EL1113	Wire Harness Repair (Driver Manual and Passenger Fold Flat)	1.5			
EL1114	Wire Harness Repair (Driver Manual and Passenger Manual)	1.5			
EL1115	Wire Harness Repair (Driver Power and Passenger Manual)	1.5			
EL1116	Wire Harness Repair (Driver Power and Passenger Power)	1.5			

#### APPLICABLE WARRANTY

- This repair is covered under the Toyota Restraint System Warranty. This warranty is in effect for 60 months or 60,000 miles, whichever occurs first, from the vehicle's in-service date.
- Warranty application is limited to occurrence of the specified condition described in this bulletin.

## SRS Airbag Light "ON" - B0111/B0116 Open Side Squib Circuit

### Parts Information

PREVIOUS PART NUMBER	CURRENT PART NUMBER	PART NAME	QTY
N/A	04001-22145	Repair Wire, Kit*	1
N/A	89279-08010	Corrugated Tubing	1

### \* Wire Repair Kit Contents

PREVIOUS PART NUMBER	CURRENT PART NUMBER	PART NAME	QTY
N/A	82999-52010	Sleeve	4
N/A	82999-30010	Thermo Contact Tube	4
N/A	90980-11863	Connector (Male)	1
N/A	90980-11864	Connector (Female)	1
N/A	82998-45010	Repair Wire Harness (Male, Wire Color: Yellow – Red)	1
N/A	82998-45020	Repair Wire Harness (Male, Wire Color: Yellow – Green)	1
N/A	82998-45030	Repair Wire Harness (Female, Wire Color: Yellow – Red)	1
N/A	82998-45040	Repair Wire Harness (Female, Wire Color: Yellow – Green)	1

### Required Tools & Equipment

SPECIAL SERVICE TOOLS (SST)	PART NUMBER	QTY
Plastic Pry Tool Set**	<u>00002-06000-01</u>	1
Occupant Classification Seat Weight Set	<u>00002-09090-01</u>	1
Wire Crimper (Non Insulated)**	<u>09042-2C100</u>	1

\*\* Essential SST.

**NOTE**

Additional SSTs may be ordered by calling 1-800-933-8335.

## SRS Airbag Light "ON" - B0111/B0116 Open Side Squib Circuit

### Required Tools & Equipment (Continued)

REQUIRED EQUIPMENT	SUPPLIER	PART NUMBER	QTY
TIS Techstream** or Techstream Lite  NOTE: Software version 7.00.020 or later is required.	ADE	TSPKG1 or TSLITEDLR01	1

\*\* Essential SST.

<p><b>NOTE</b> Additional Techstream units may be ordered by calling Approved Dealer Equipment (ADE) at 1-800-368-6787.</p>
---

### Repair Procedure Overview

- **Section 1: Diagnostic Procedure**

This procedure, using Techstream and TIS, will determine the correct repair method — Whether to replace or repair the side airbag wire harness and repair the floor harness.

- **Section 2: Side Airbag Assembly Replacement**

This section will determine if side airbag replacement is needed or if the side airbag wire harness can be repaired.

- **Section 3: Wire Harness Repair**

This section will provide the detailed steps to repair the SRS floor harness and SRS seat harness connectors.

### Diagnostic Procedure

1. Follow the diagnostic procedure in the Repair Manual.

Refer to the Technical Information System (TIS), applicable model year Sienna Repair Manual:

**B0111:**

- 2005 Sienna:  
*Vehicle Interior – Supplemental Restraint Systems – “Supplemental Restraint System: B0111/44 Open In Side Squib”*
- 2006 / 2007 / 2008 / 2009 Sienna:  
*Vehicle Interior – Supplemental Restraint Systems – “Supplemental Restraint System: Airbag System: B0111/44: Open In Side Squib RH Circuit”*

## SRS Airbag Light "ON" - B0111/B0116 Open Side Squib Circuit

### Diagnostic Procedure (Continued)

#### B0116:

- 2005 Sienna:  
*Vehicle Interior – Supplemental Restraint Systems – “Supplemental Restraint System: B0116/48 Open In Side Squib”*
- 2006 / 2007 / 2008 / 2009 Sienna:  
*Vehicle Interior – Supplemental Restraint Systems – “Supplemental Restraint System: Airbag System: B0116/48: Open In Side Squib LH Circuit”*

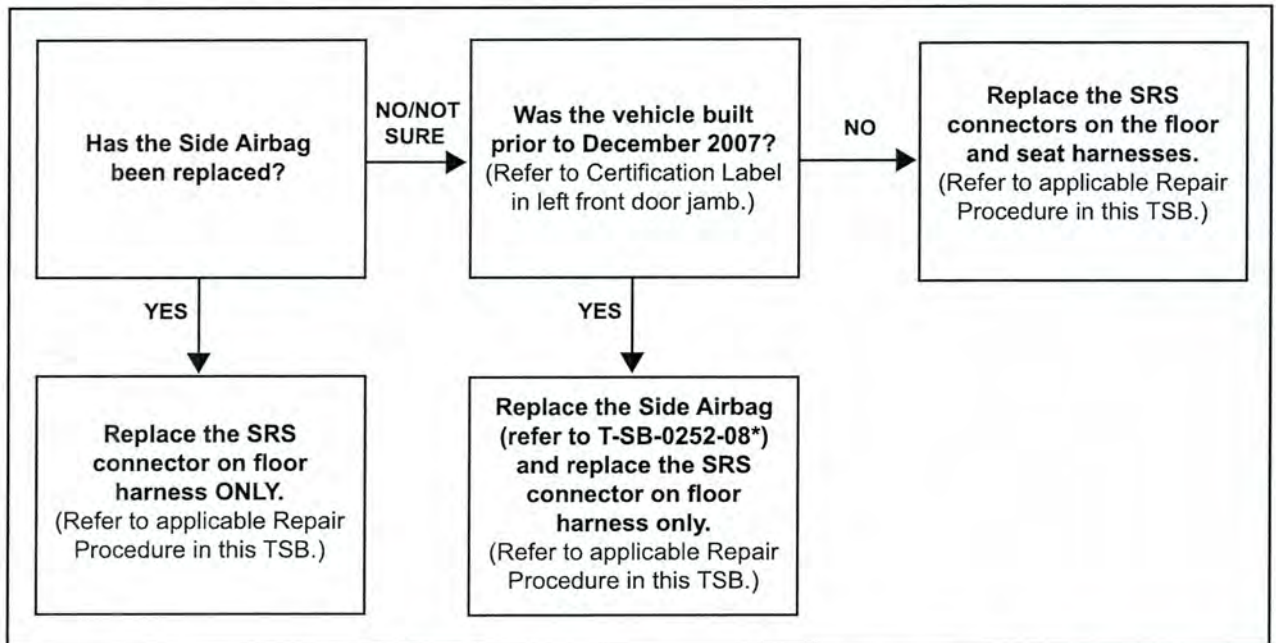
If NO concern is identified after inspecting the floor harness and the center airbag sensor assembly, go to the next step to determine the correct repair procedure.

2. Has the side airbag been replaced?

- **YES** — Repair the floor wire harness.
- **NO / Not Sure** — See Side Airbag Assembly Replacement below.

### Side Airbag Assembly Replacement

To determine if side airbag replacement is needed, refer to the chart below.



\* T-SB-0252-08, "Repair Manual Supplement: SRS Light 'ON' – DTC B0111/B0116 – Open Side Squib Circuit"

## SRS Airbag Light "ON" - B0111/B0116 Open Side Squib Circuit

---

### Repair Procedure

#### NOTICE

- This SRS wire harness repair has only been approved for vehicles covered in this TSB and is NOT approved for use on any other vehicles.
- Follow the procedures outlined in this TSB to prevent damage the vehicle.

### SRS Floor Harness Connector

#### NOTE

Repairing the floor harness connector is applicable to all vehicles covered by this TSB and should be performed FIRST.

#### 1. Remove the front seat.

Refer to the Technical Information System (TIS), applicable model year Sienna Repair Manual, for each type of seat assembly:

- 2005 Sienna:  
*Vehicle Interior – Seat – “Front Seat Assembly LH (Power Seat Type) / LH (Manual Seat Type) / RH (Fold Flat Type): Overhaul”*
- 2006 Sienna:  
*Vehicle Interior – Seat – “Seat: Front Seat Assembly (for Flat Type) / (for Manual Seat) / (for Power Seat): Removal”*
- 2007 Sienna:  
*Vehicle Interior – Seat – “Seat: Front Seat Assembly (for Flat Type) / (for Manual Seat) / (for Power Seat): Removal”*
- 2008 Sienna:  
*Vehicle Interior – Seat – “Seat: Front Seat Assembly (for Flat Type) / (for Manual Seat) / (for Power Seat): Removal”*
- 2009 Sienna:  
*Vehicle Interior – Seat – “Seat: Front Seat Assembly (for Flat Type) / (for Manual Seat) / (for Power Seat): Removal”*

## SRS Airbag Light "ON" - B0111/B0116 Open Side Squib Circuit

### Repair Procedure

#### SRS Floor Harness Connector (Continued)

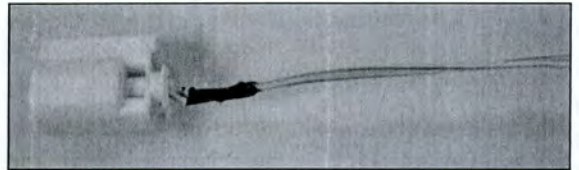
- Remove the tape from around the corrugated tubing. Remove the corrugated tubing and discard.

**NOTE**  
 Some vehicles may have an additional sleeve protecting the wiring that will need to be removed. The additional sleeve can be discarded.

Figure 1.



Figure 2.



- Measure 80 mm (3.15 in.) from the tip of the floor harness connector and cut the wires.

Retain the old floor harness connector for reference.

Figure 3.

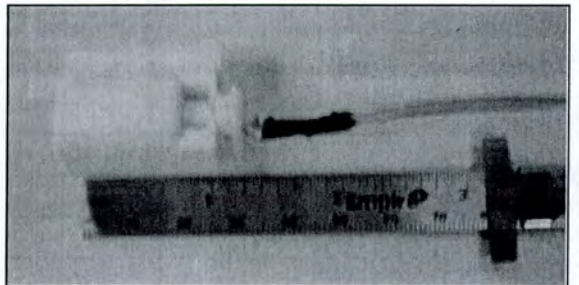


Figure 4.



## SRS Airbag Light "ON" - B0111/B0116 Open Side Squib Circuit

### Repair Procedure

#### SRS Floor Harness Connector (Continued)

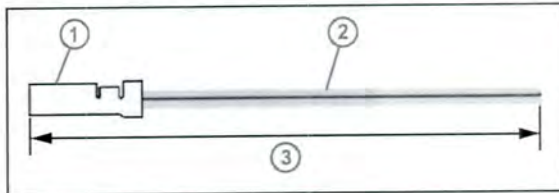
4. Remove 8 mm (0.32 in.) of insulation from the ends of the 2 floor harness wires.

Figure 5.



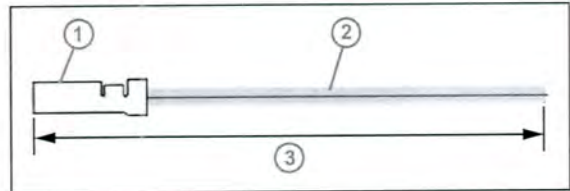
5. Prepare the new wires with the female terminals.

Figure 6. P/N 82998-45030: Repair Wire Harness (Female, Wire Color: Yellow-Red)



1	Female Terminal
2	Wire
3	Length (160 +/- 10 mm)

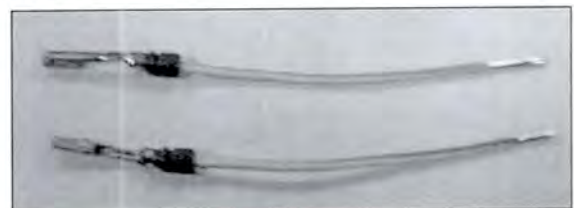
Figure 7. P/N 82998-45040: Repair Wire Harness (Female, Wire Color: Yellow-Green)



1	Female Terminal
2	Wire
3	Length (160 +/- 10 mm)

- A. Measure 80 mm (3.15 in.) from the ends of the female terminals and cut the new wires to length.

Figure 8.





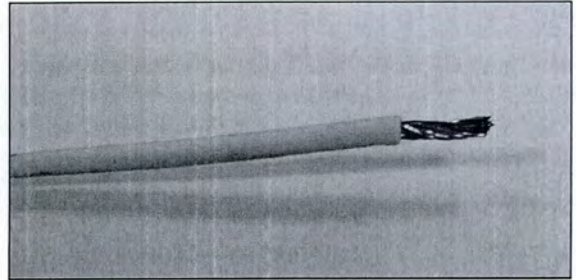
# SRS Airbag Light "ON" - B0111/B0116 Open Side Squib Circuit

## Repair Procedure

### SRS Floor Harness Connector (Continued)

- B. Remove 8 mm (0.32 in.) of insulation from the end of the 2 female terminal pigtails.

Figure 9.



- 6. Install a barrel sleeve onto each of the floor harness wires.

Figure 10.

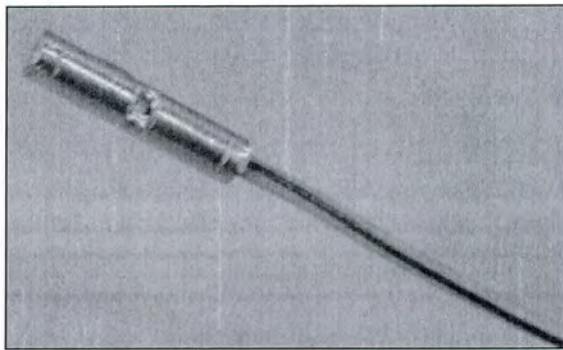
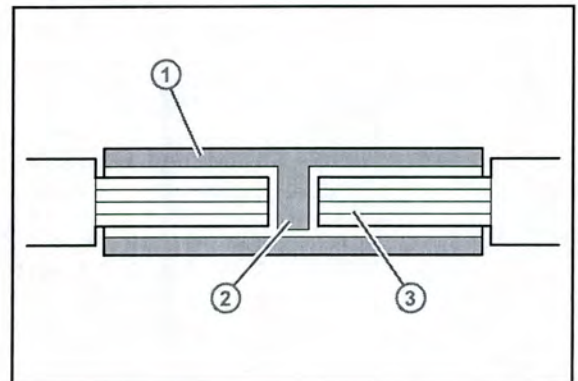


Figure 11.



1	Sleeve
2	Wire Stop
3	Wire

## SRS Airbag Light "ON" - B0111/B0116 Open Side Squib Circuit

### Repair Procedure

#### SRS Floor Harness Connector (Continued)

- Place the sleeve into the 1.25 mm crimp die of the SST.

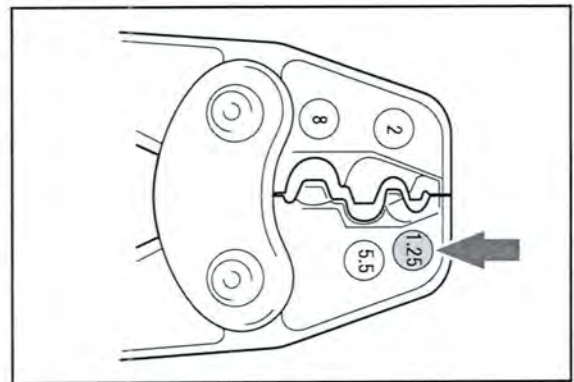
**HINT**

Place the sleeve into the SST so that the split in the sleeve is in the half circle of the SST.

**NOTE**

SST 09042-2C100 is the only tool approved to perform this repair — Do NOT use any other tool to crimp the sleeve.

Figure 12.

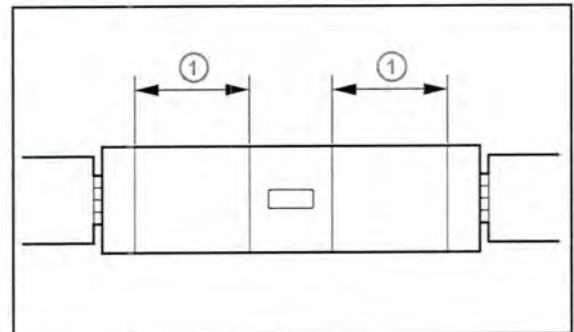


- With the sleeve correctly placed in the SST and wire fully inserted into the sleeve, crimp one side of the sleeve in the area shown by closing the handles fully until they release. Crimp the sleeve onto each of the floor harness wires.

**NOTE**

The SST has a ratcheting mechanism, and the handle will release when the proper crimp has been achieved.

Figure 13.



1 Crimp This Portion

- Insert the new harness pig tails into the sleeves and crimp using the SST.

**NOTE**

The new pig tails are color coded to match the existing floor harness.

Figure 14.



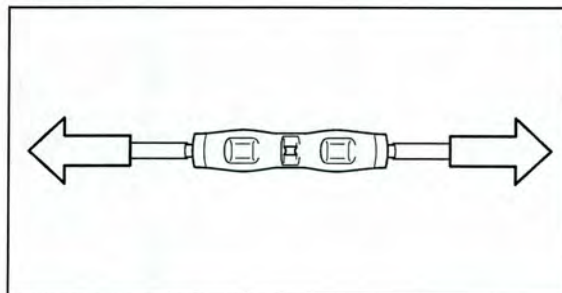
## SRS Airbag Light "ON" - B0111/B0116 Open Side Squib Circuit

### Repair Procedure

#### SRS Floor Harness Connector (Continued)

10. Lightly tug on each connection to ensure that the wire is securely crimped.

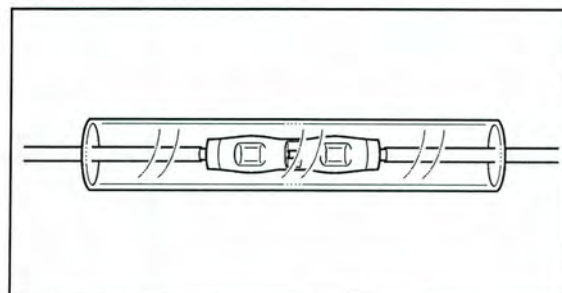
Figure 15.



11. Install the thermo tubing on each wire.

- A. Center the thermo tubing over the center of the barrel sleeve.

Figure 16.

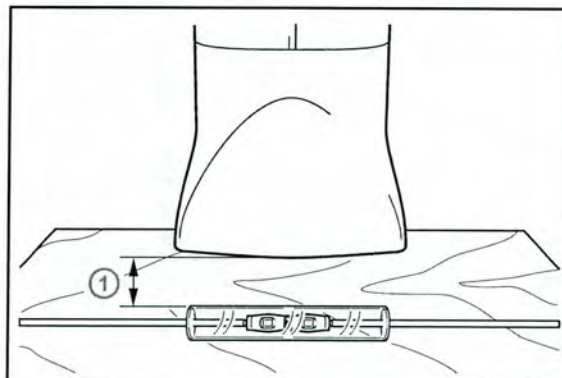


- B. Using a heat gun, heat the thermo tubing until it shrinks and seals the repaired connection.

**NOTICE**

- When using the heat gun, keep the heat gun about 10 mm (0.39 in.) from the thermo tubing.
- Protect the surrounding areas (i.e., interior panels and carpet) from heat damage.

Figure 17.



1	10 mm
---	-------

# SRS Airbag Light "ON" - B0111/B0116 Open Side Squib Circuit

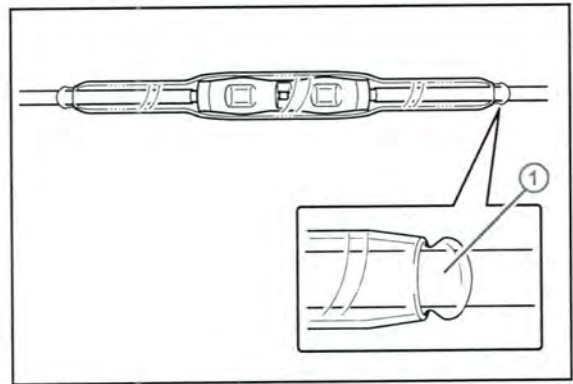
## Repair Procedure

### SRS Floor Harness Connector (Continued)

**NOTE**

During the sealing process, adhesive may seep from the thermo tubing. This is a normal condition and part of the sealing properties of the thermo tube.

Figure 18.

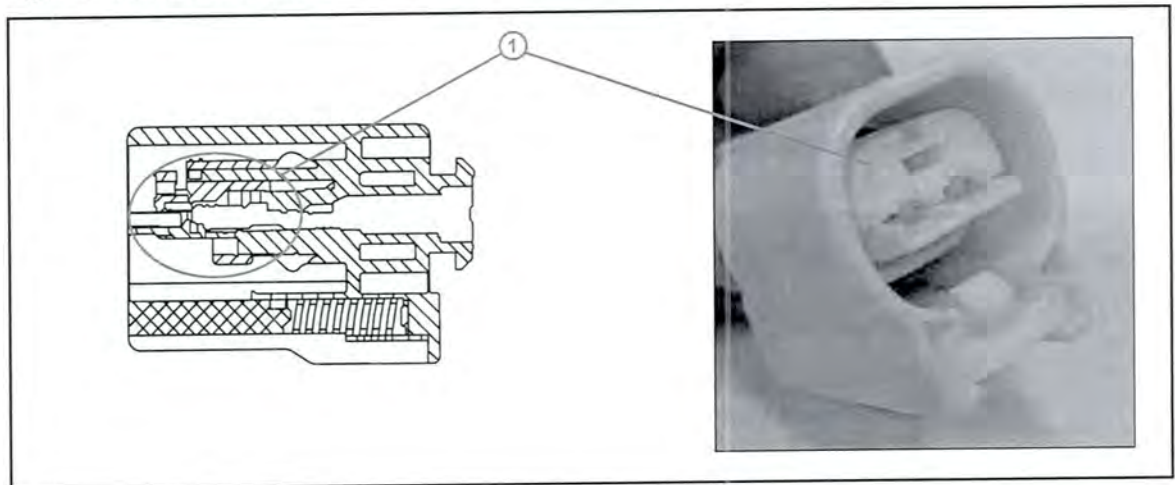


1	Adhesive
---	----------

12. Install the new floor harness connector.

A. Confirm the secondary lock is in the half locked position.

Figure 19. Half Locked Position



1	Secondary Lock (White Portion)
---	--------------------------------

## SRS Airbag Light "ON" - B0111/B0116 Open Side Squib Circuit

---

### Repair Procedure

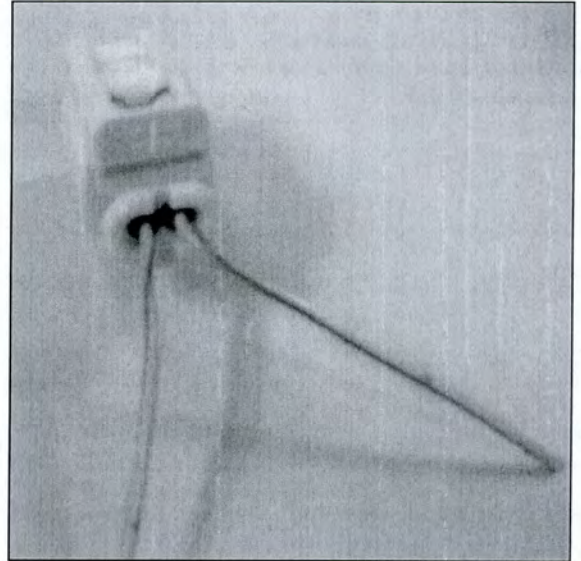
#### SRS Floor Harness Connector (Continued)

- B. Install each wire into the new connector until a click is heard and the terminal is fully seated.

**NOTE**

Use the old floor harness connector as a guide to insert the correct wire into the correct connector cavity.

Figure 20.



## SRS Airbag Light "ON" - B0111/B0116 Open Side Squib Circuit

### Repair Procedure

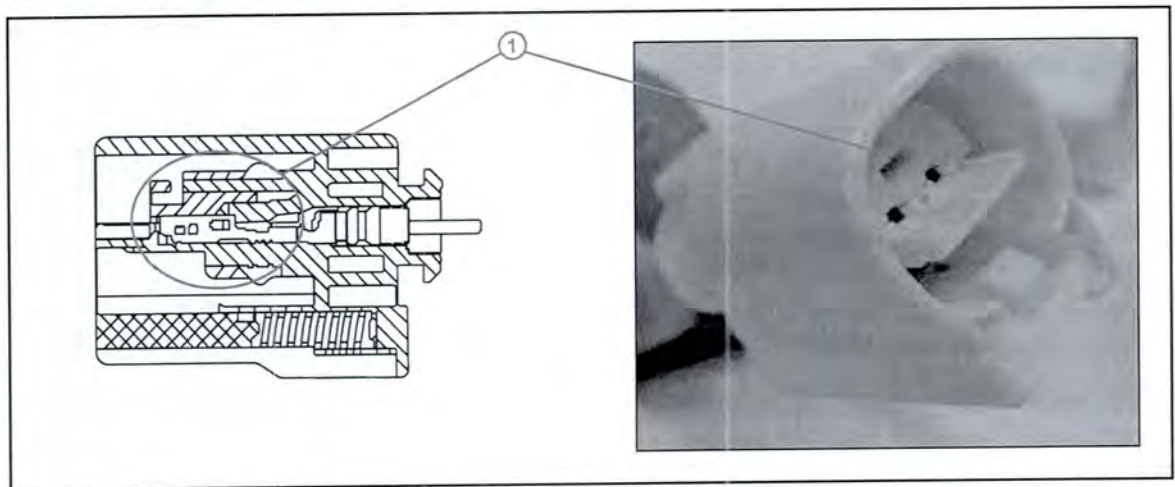
#### SRS Floor Harness Connector (Continued)

- C. Carefully push the secondary lock until the secondary lock is fully seated.

**NOTICE**

**When pushing the secondary lock in, do NOT damage the terminals.**

Figure 21. Fully Locked Position (after Wire Installed)



1	Secondary Lock (White Portion)
---	--------------------------------

13. Cut and install 80 mm of new corrugated tubing onto the wiring. Tape the corrugated tubing to hold it in place.

## SRS Airbag Light "ON" - B0111/B0116 Open Side Squib Circuit

### Repair Procedure (Continued)

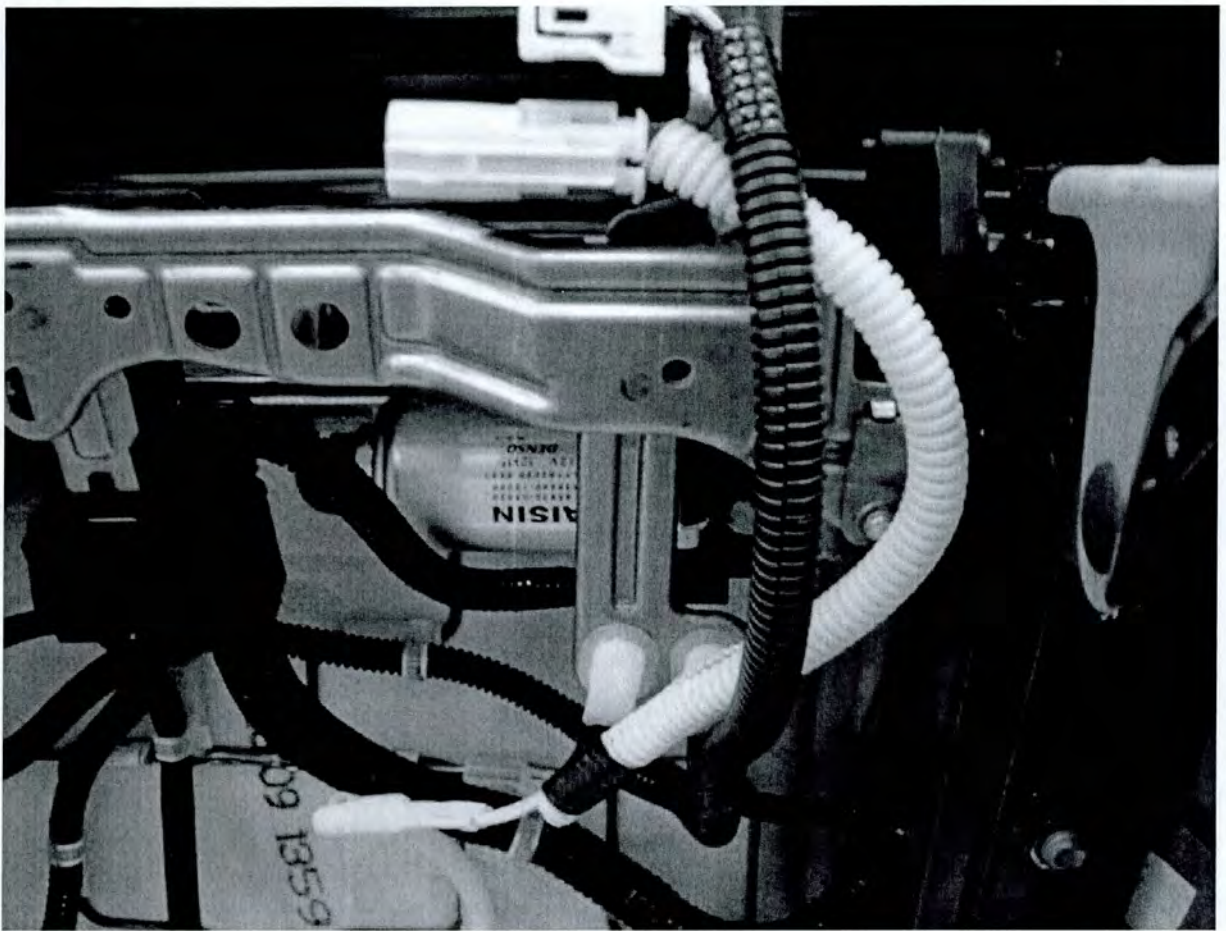
#### SRS Seat Wire Harness Connector: Power Seat

1. Unclip the SRS seat harness from the seat. Remove the yellow corrugated tubing and discard.

**NOTE**

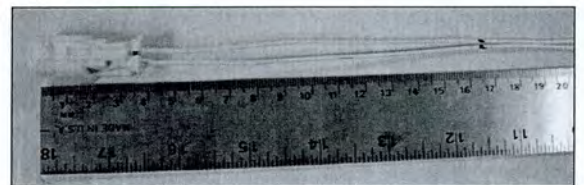
Some vehicles may have an additional sleeve protecting the wiring that will need to be removed. The additional sleeve can be discarded.

Figure 22.



2. Measure 165 mm (6.5 in.) from the tip of the seat harness connector and mark the wires.

Figure 23.



## SRS Airbag Light "ON" - B0111/B0116 Open Side Squib Circuit

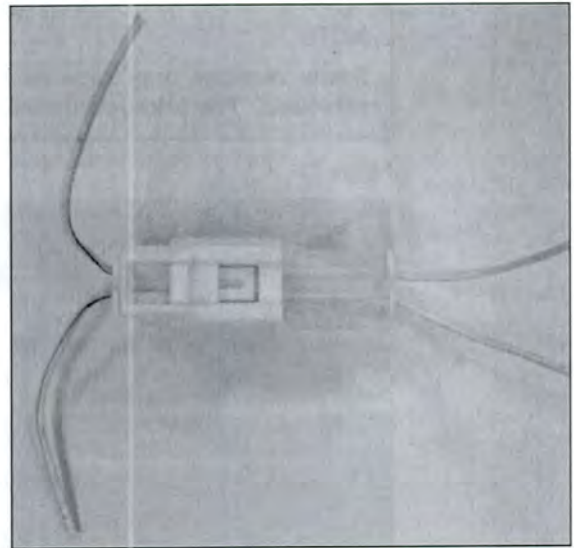
---

### Repair Procedure

#### SRS Seat Wire Harness Connector: Power Seat (Continued)

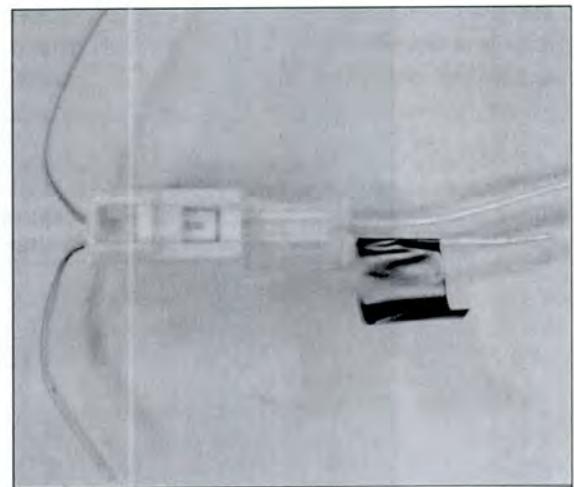
3. Install the old floor harness SRS connector that was cut off in step 3 of the Floor Harness Connector procedure.

Figure 24.



4. Place a small piece of electrical tape behind the SRS seat harness connector that lines up with the yellow wire with the red tracer in the SRS floor harness connector.

Figure 25.



**NOTICE**

The wires in the SRS seat harness are the same color. Follow the instructions in this TSB to prevent damage to the vehicle.



## SRS Airbag Light "ON" - B0111/B0116 Open Side Squib Circuit

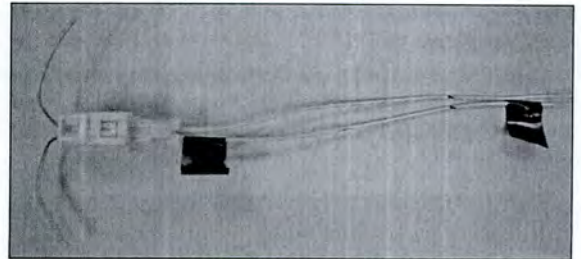
### Repair Procedure

#### SRS Seat Wire Harness Connector: Power Seat (Continued)

5. Place a small piece of electrical tape behind the cut mark on the same wire that was taped above. Cut the wires at the 165 mm mark.

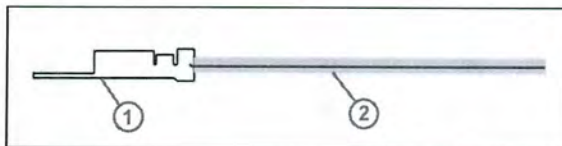
Retain the cut-off SRS seat harness and connector for later reference.

Figure 26.



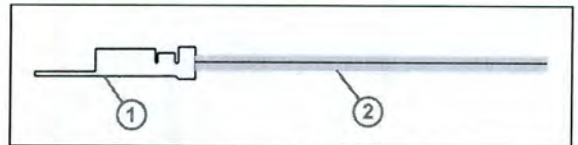
6. Prepare the new wires with the male terminals.

Figure 27. P/N 82998-45010: Repair Wire Harness (Male, Wire Color: Yellow-Red)



1	Male Terminal
2	Wire

Figure 28. P/N 82998-45020: Repair Wire Harness (Male, Wire Color: Yellow-Green)



1	Male Terminal
2	Wire

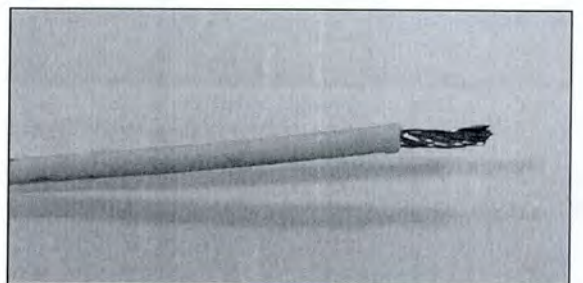
- A. Measure 165 mm (6.5 in.) from the tip of the male terminal and cut each wire.

Figure 29.



- B. Remove 8 mm (0.32 in.) of insulation from the ends of the male terminal pig tails.

Figure 30.



7. Proceed to Crimping Seat Wires.

## SRS Airbag Light "ON" - B0111/B0116 Open Side Squib Circuit

### Repair Procedure (Continued)

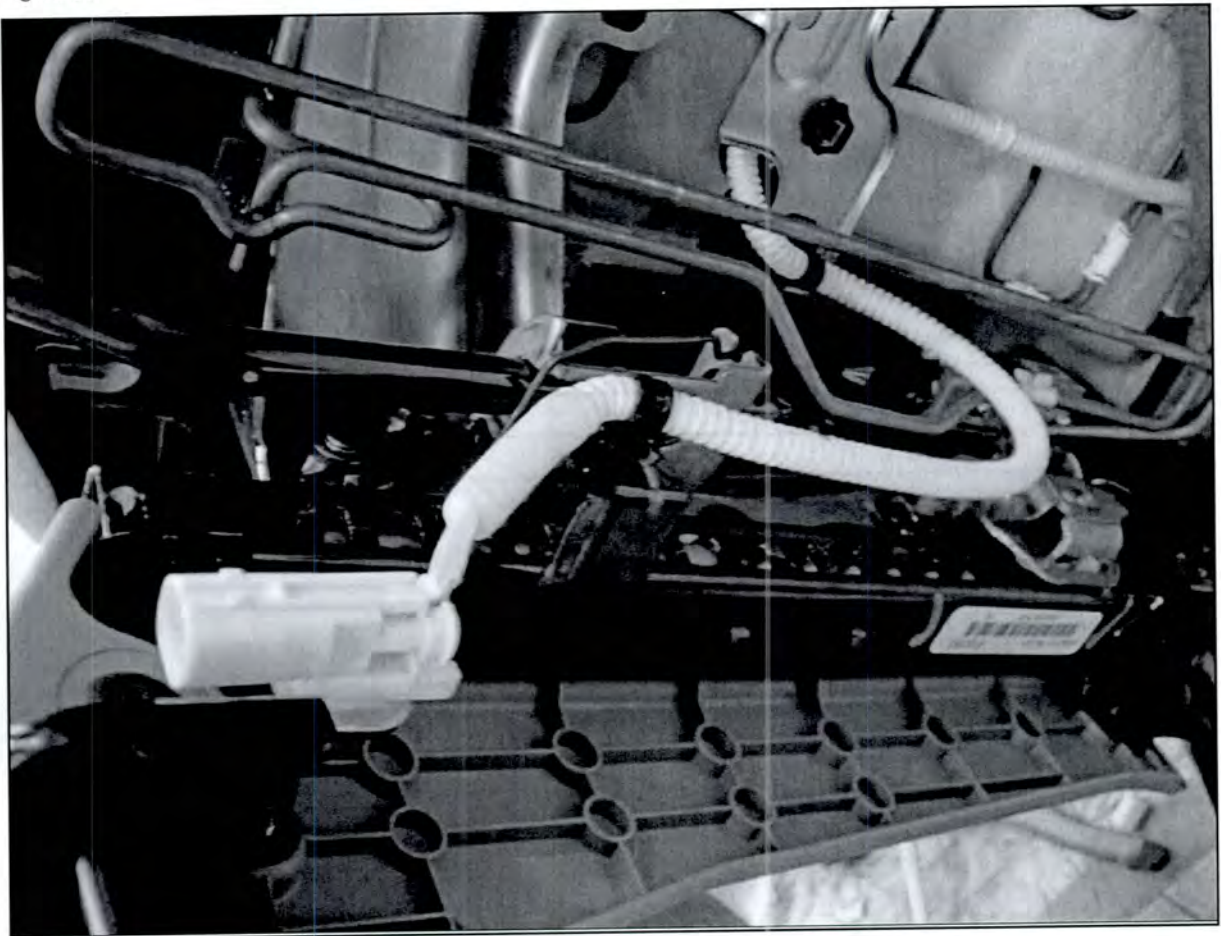
#### SRS Seat Wire Harness Connector: Manual & Fold Flat Seat

1. Unclip the SRS seat harness connector. Remove the yellow corrugated tubing and discard.

#### NOTE

Some vehicles may have an additional sleeve protecting the wiring that will need to be removed. The additional sleeve can be discarded.

Figure 31.



2. Measure from the tip of the seat harness connector and mark the wires.

**Manual Seat, Left: 165 mm (6.5 in.)**

**Manual Seat, Right: 70 mm (2.76 in.)**

Figure 32.



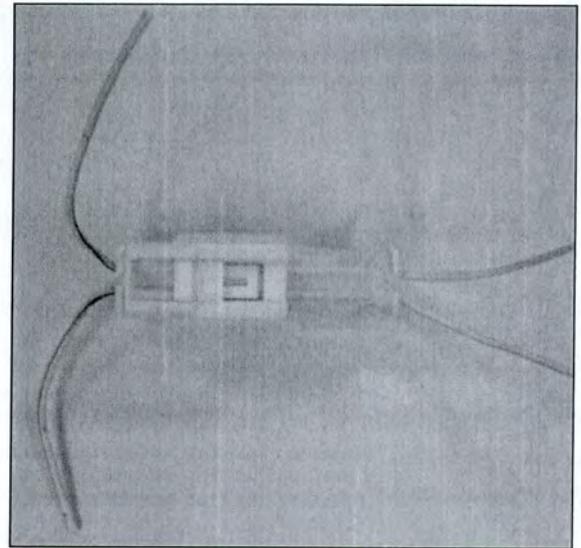
## SRS Airbag Light "ON" - B0111/B0116 Open Side Squib Circuit

### Repair Procedure

#### SRS Seat Wire Harness Connector: Manual & Fold Flat Seat (Continued)

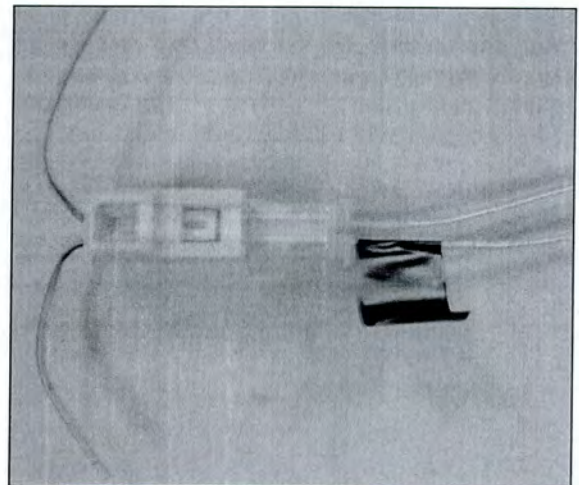
3. Install the floor harness SRS connector that was cut off in step 3 of the Floor Harness Connector procedure.

Figure 33.



4. Place a small piece of electrical tape behind the SRS seat harness connector that lines up with the yellow wire with the red tracer on the SRS floor harness connector.

Figure 34.



**NOTICE**

The wires in the SRS seat harness are the same color. Follow the instructions in this TSB to prevent damage to the vehicle.

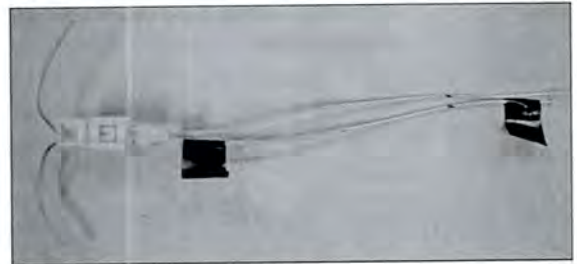
## SRS Airbag Light "ON" - B0111/B0116 Open Side Squib Circuit

### Repair Procedure

#### SRS Seat Wire Harness Connector: Manual & Fold Flat Seat (Continued)

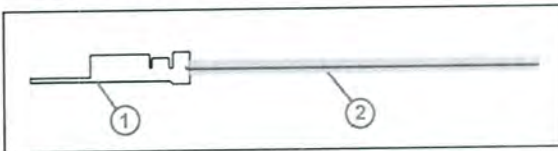
5. Place a small piece of electrical tape behind the cut mark on the same wire that was taped in step 4.

Figure 35.



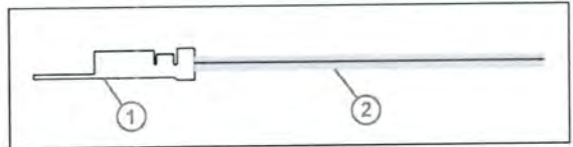
6. Cut the wires at the cut mark, and retain the cut-off SRS seat harness and connector for later reference.
7. Prepare the new wires with the male terminals.

Figure 36. P/N 82998-45010: Repair Wire Harness (Male, Wire Color: Yellow-Red)



1	Male Terminal
2	Wire

Figure 37. P/N 82998-45020: Repair Wire Harness (Male, Wire Color: Yellow-Green)



1	Male Terminal
2	Wire

- A. Measure from the ends of the male terminals and cut the new wires.

**Manual Seat, Left: 165 mm (6.5 in.)**

**Manual Seat, Right: 70 mm (2.76 in.)**

Figure 38.



## SRS Airbag Light "ON" - B0111/B0116 Open Side Squib Circuit

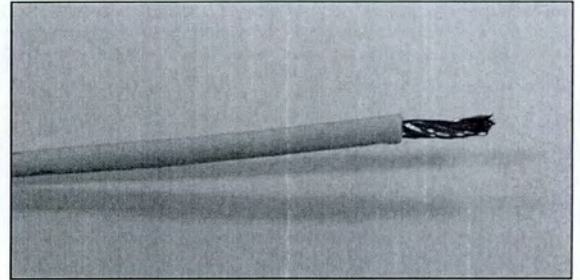
---

### Repair Procedure

#### SRS Seat Wire Harness Connector: Manual & Fold Flat Seat (Continued)

- B. Remove 8 mm (0.32 in.) of insulation from the ends of the male terminal pig tails.

Figure 39.



8. Proceed to Crimping Seat Wires.

## SRS Airbag Light "ON" - B0111/B0116 Open Side Squib Circuit

### Repair Procedure (Continued)

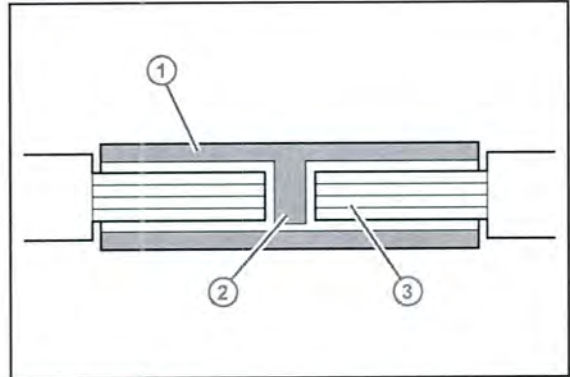
#### Crimping Seat Wires

1. Install a sleeve onto each of the wires from the seat harness.

Figure 40.



Figure 41.



1	Sleeve
2	Wire Stop
3	Wire

2. Place the sleeve into the 1.25 mm crimp die of the SST.

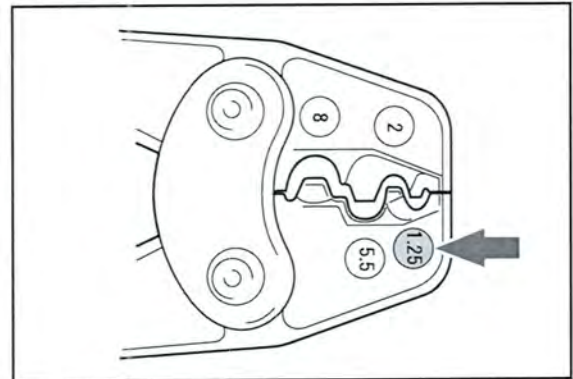
**HINT**

Place the sleeve into the SST so that the split in the sleeve is in the half circle of the SST.

**NOTE**

SST 09042-2C100 is the only tool approved to perform this repair — Do NOT use any other tool to crimp the sleeve.

Figure 42.



# SRS Airbag Light "ON" - B0111/B0116 Open Side Squib Circuit

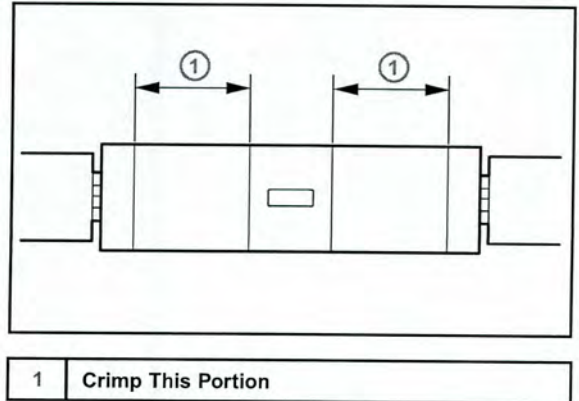
## Repair Procedure

### Crimping Seat Wires (Continued)

3. With the sleeve correctly placed in the SST and wire fully inserted into the sleeve, crimp one side of the sleeve in the area shown by closing the handles fully until they release. Crimp the sleeve onto each of the floor harness wires.

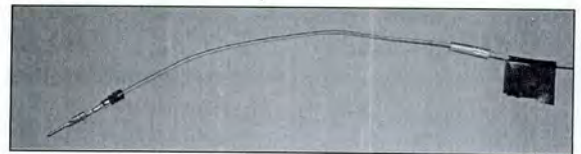
**NOTE**  
 The SST has a ratcheting mechanism, and the handle will release when the proper crimp has been achieved.

Figure 43.



4. Insert the new pig tail (yellow with red tracer) into the sleeve that was marked with electrical tape and crimp using the SST.

Figure 44.



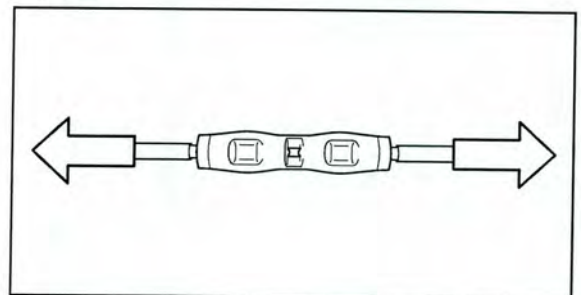
5. Insert the new pig tail (yellow with green tracer) into the other sleeve and crimp using the SST.

Figure 45.



6. Lightly tug on each connection to ensure that the wire is securely crimped.

Figure 46.



## SRS Airbag Light "ON" - B0111/B0116 Open Side Squib Circuit

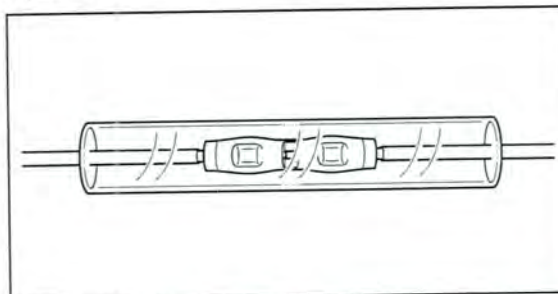
### Repair Procedure

#### Crimping Seat Wires (Continued)

7. Install the thermo tubing on each wire.

A. Center the thermo tubing over the center of the barrel sleeve.

Figure 47.

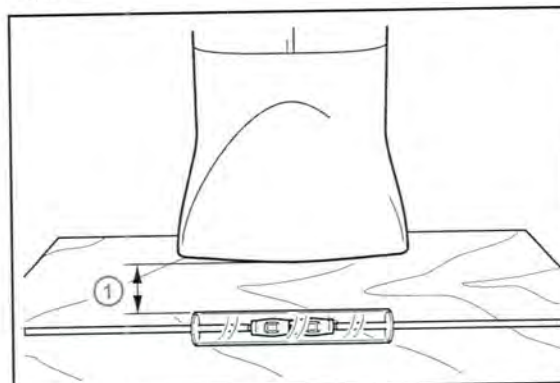


B. Using a heat gun, heat the thermo tubing until it shrinks and seals the repaired connection.

#### NOTICE

- When using the heat gun, keep the heat gun about 10 mm (0.39 in.) from the thermo tubing.
- Protect the surrounding areas (i.e., interior panels and carpet) from heat damage.

Figure 48.



1	10 mm
---	-------



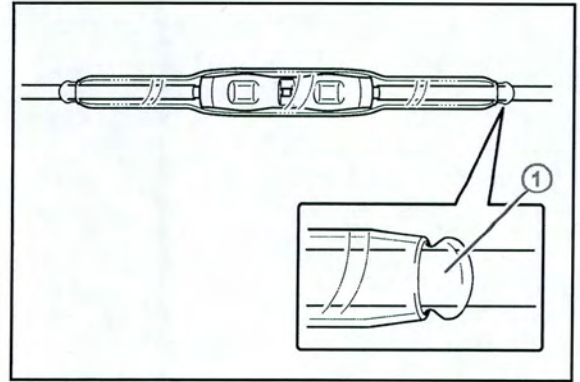
# SRS Airbag Light "ON" - B0111/B0116 Open Side Squib Circuit

## Repair Procedure

### Crimping Seat Wires (Continued)

**NOTE**  
During the sealing process, adhesive may seep from the thermo tubing. This is a normal condition and part of the sealing properties of the thermo tube.

Figure 49.



1	Adhesive
---	----------

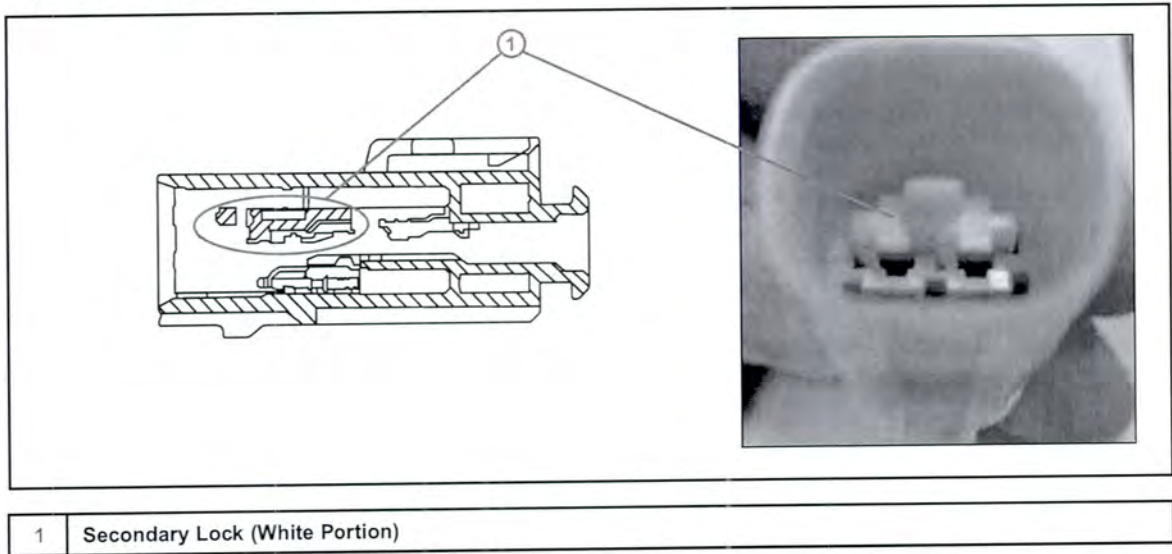
## SRS Airbag Light "ON" - B0111/B0116 Open Side Squib Circuit

### Repair Procedure

#### Crimping Seat Wires (Continued)

8. Install the new SRS seat harness connector.
  - A. Confirm that the secondary lock is in the half-locked position.

Figure 50. Half-Locked Position



- B. Install the old SRS floor harness approximately 15 mm onto the new SRS seat connector.

Figure 51.

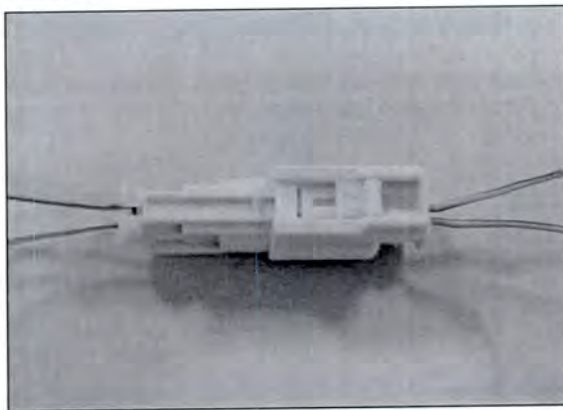
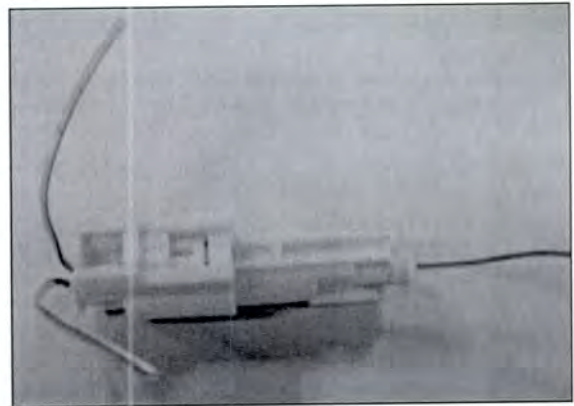


Figure 52.



- C. Insert the yellow wire with the red tracer into the new SRS seat harness connector that lines up with the yellow wire with the red tracer on the old SRS floor harness connector.
      - D. Insert the yellow wire with the green tracer into the other cavity of the new SRS seat harness connector.

## SRS Airbag Light "ON" - B0111/B0116 Open Side Squib Circuit

### Repair Procedure

#### Crimping Seat Wires (Continued)

**NOTE**

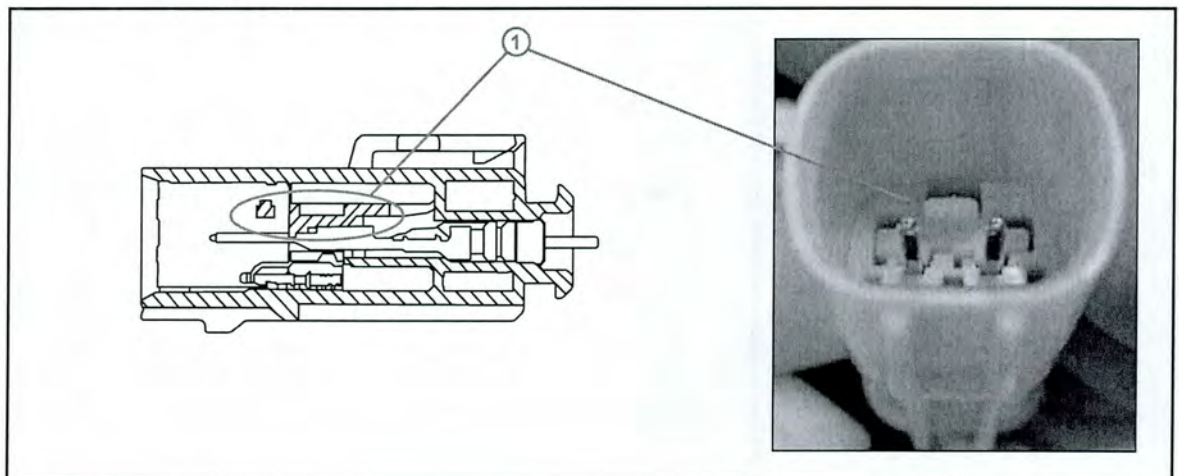
When installing the wires ensure that a click sound is heard and that the terminals are fully seated.

- E. Remove the old SRS floor harness connector.
- F. Carefully push the secondary lock of the new SRS seat harness connector until it is fully seated.

**NOTICE**

When pushing in the secondary lock, do NOT damage the terminals.

Figure 53. Fully Locked Position (after Wire Installed)



1 Secondary Lock (White Portion)

## SRS Airbag Light "ON" - B0111/B0116 Open Side Squib Circuit

### Repair Procedure

#### Crimping Seat Wires (Continued)

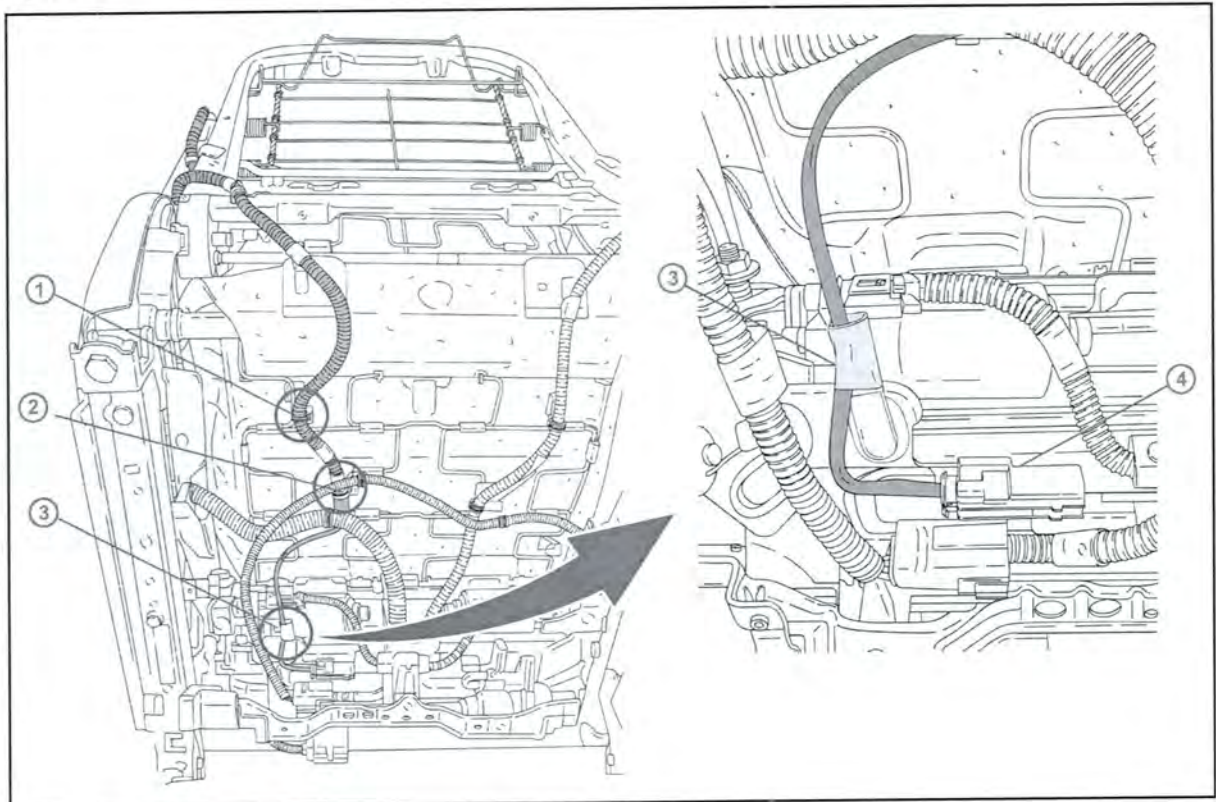
9. Cut and install the new corrugated tubing onto the wiring as follows:

- Power Seat, Left or Right: 175 mm
- Manual Seat, Left: 175 mm
- Manual Seat, Right: 50 mm

Tape the corrugated tubing to hold it in place.

10. Reinstall the clips for the SRS seat harness.

Figure 54.



1	Clip No. 4
2	Clip No. 5

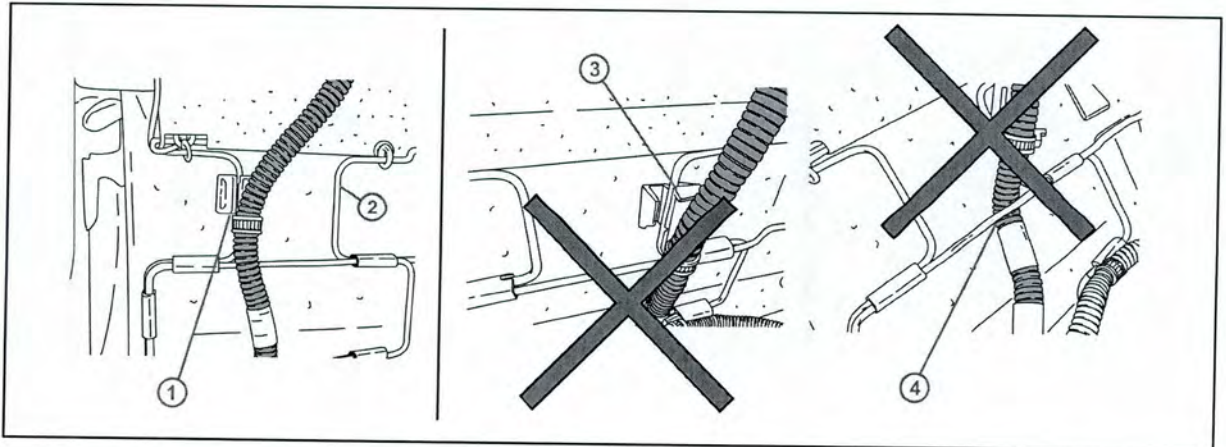
3	Clip No. 6
4	Harness Assembly Connector

# SRS Airbag Light "ON" - B0111/B0116 Open Side Squib Circuit

## Repair Procedure

### Crimping Seat Wires (Continued)

Figure 55.



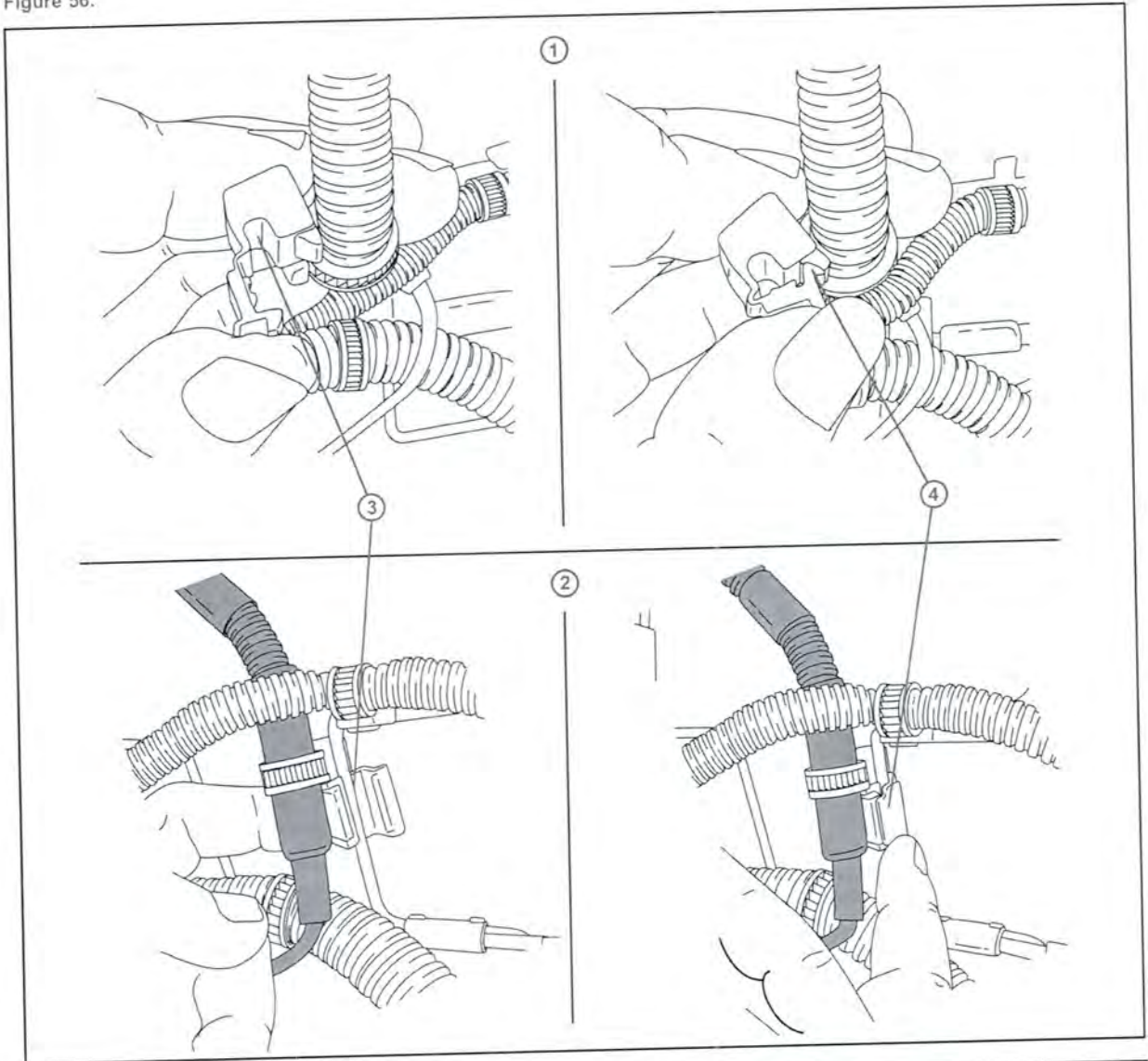
1	Detail of Clip No. 4 (Fix to OUTSIDE Spring)
2	Inner Spring
3	Do NOT fix to Inner Spring
4	Do NOT Route Between Spring and Pad

# SRS Airbag Light "ON" - B0111/B0116 Open Side Squib Circuit

## Repair Procedure

### Crimping Seat Wires (Continued)

Figure 56.



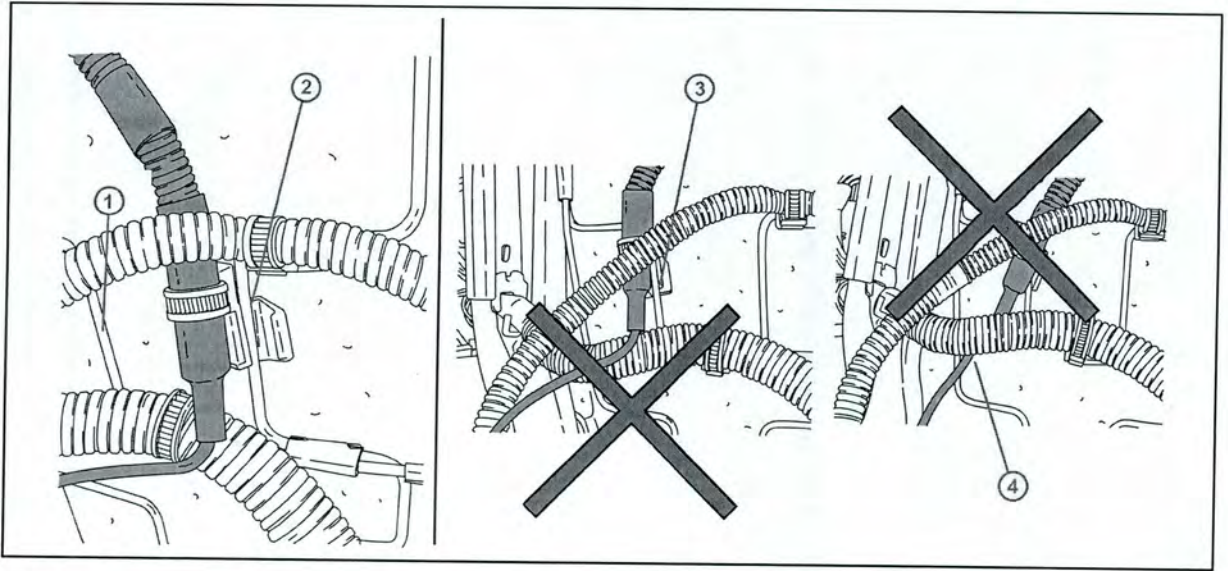
1	Installation for Clip No. 4
2	Installation for Clip No. 5
3	Place Spring in Ditch Part of Clip
4	Inserting the Locking Clasp

# SRS Airbag Light "ON" - B0111/B0116 Open Side Squib Circuit

## Repair Procedure

### Crimping Seat Wires (Continued)

Figure 57.



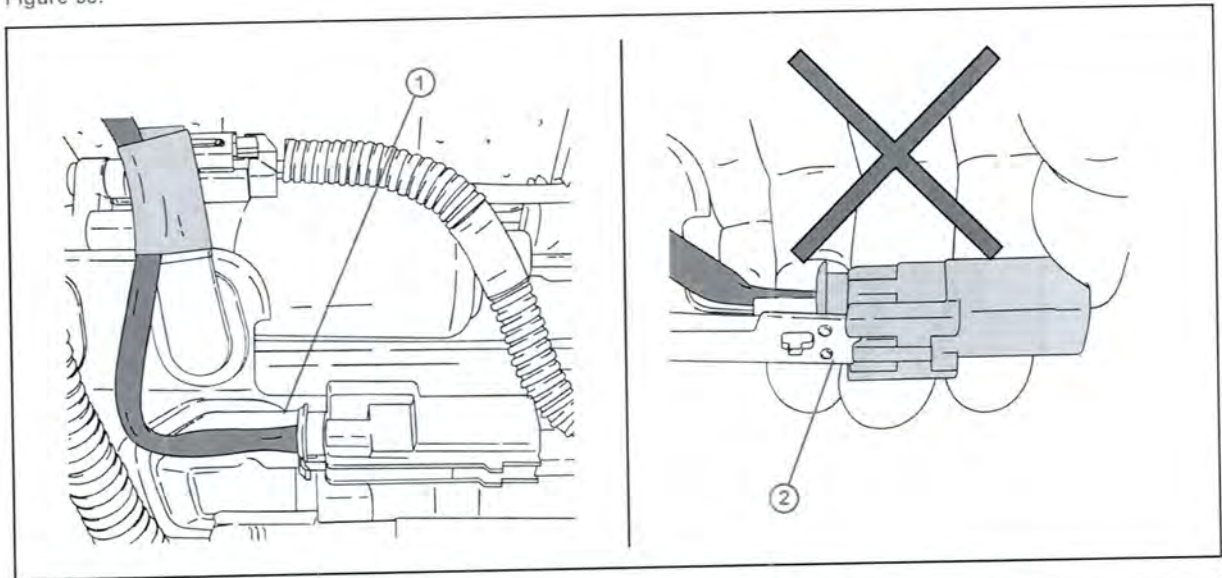
1	Outside Spring
2	Detail of Clip No. 5 (Fix to INNER Spring)
3	Do NOT fix to Outer Spring
4	Do NOT Route Under the Seat Wire Harness

# SRS Airbag Light "ON" - B0111/B0116 Open Side Squib Circuit

## Repair Procedure

### Crimping Seat Wires (Continued)

Figure 58.



1	Detail of Harness Assembly Connector (Install Connector UNDER the Bracket)
2	Do NOT Install Above the Bracket



## SRS Airbag Light "ON" - B0111/B0116 Open Side Squib Circuit

---

### Repair Procedure (Continued)

#### Installation

1. Reinstall the front seat assembly.

Refer to TIS, applicable model year Sienna Repair Manual:

- 2005 Sienna:  
*Vehicle Interior – Seat – “Front Seat Assembly (Fold Flat Type) / (Manual Seat Type) / (Power Seat Type): Overhaul”*
- 2006 Sienna:  
*Vehicle Interior – Seat – “Seat: Front Seat Assembly (for Flat Type) / (for Manual Seat) / (for Power Seat): Installation”*
- 2007 Sienna:  
*Vehicle Interior – Seat – “Seat: Front Seat Assembly (for Flat Type) / (for Manual Seat) / (for Power Seat): Installation”*
- 2008 Sienna:  
*Vehicle Interior – Seat – “Seat: Front Seat Assembly (for Flat Type) / (for Manual Seat) / (for Power Seat): Installation”*
- 2009 Sienna:  
*Vehicle Interior – Seat – “Seat: Front Seat Assembly (for Flat Type) / (for Manual Seat) / (for Power Seat): Installation”*

2. Initialize the front passenger Occupant Classification System (OCS).

Refer to TIS, applicable model year Sienna Repair Manual:

- 2005 Sienna:  
*Vehicle Interior – Supplemental Restraint Systems – “Supplemental Restraint System: Initialization”*
- 2006 / 2007 / 2008 / 2009 Sienna:  
*Vehicle Interior – Supplemental Restraint Systems – “Supplemental Restraint System: Occupant Classification System: Initialization”*

3. Initialize power systems (windows, moon roof, etc.). Refer to the appropriate Service Bulletin on TIS.
4. Clear all codes in the SRS system.
5. Test drive vehicle.
6. Recheck the vehicle for any SRS codes.
7. Perform Health Check and verify.