



Service Bulletin

File in Section: 08 - Body and Accessories

Bulletin No.: 13-08-66-001

Date: September, 2013

INFORMATION

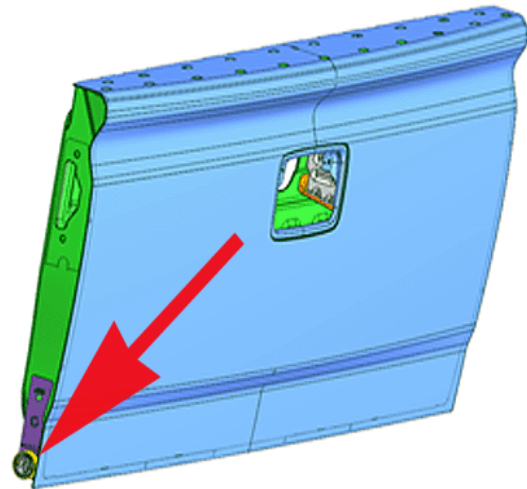
Subject: Information on Tailgate Hinge Lubrication

Models: 2014 Chevrolet Silverado 1500
2014 GMC Sierra 1500
All Equipped With EZ Lift-and-Lower Tailgate – RPO PPA

On vehicles equipped with RPO PPA EZ Lift-and-Lower Tailgate, the left tailgate hinge incorporates the assist mechanism. It is important that this hinge is lubricated during scheduled maintenance visits to ensure its proper operation.

Failure to properly lubricate the hinge may lead to increased operating effort or noisy operation.

Instructions



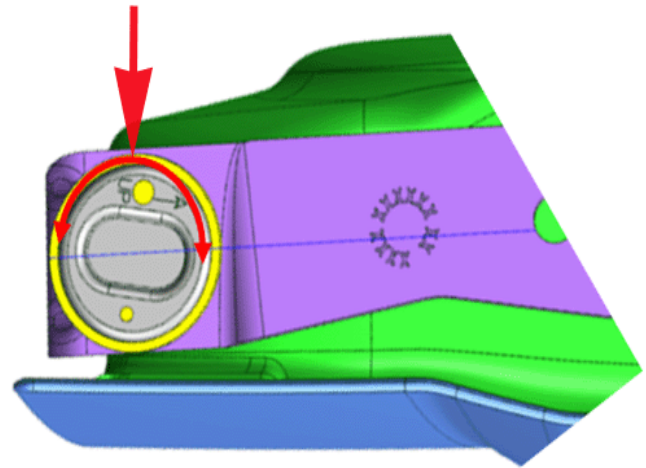
3617663

Use the following steps to lubricate the left tailgate hinge assembly. This procedure is done with the tailgate on the vehicle:



3617664

1. Attach the extension tube onto a can of Super Lube® Synthetic Multipurpose Lubricant 11 oz. Aerosol.

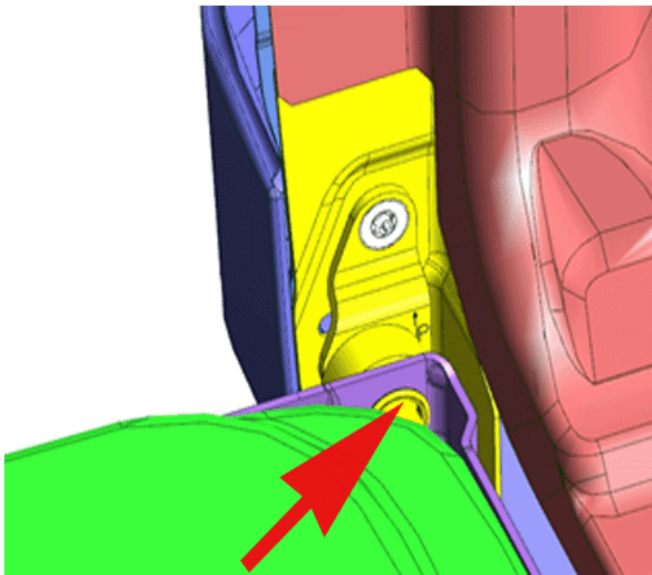


3617671

3. Spray lubricant into the outboard side of the left tailgate hinge assembly.
4. Wipe off any lubricant over spray from the repair area using a shop towel.

Parts Information

Part Number	Description
12346241 (In Canada, 10953474)	Super Lube® Synthetic Multipurpose Lubricant 11 oz. Aerosol



3617665

2. Spray lubricant into the inboard side of the left tailgate hinge assembly.

