

Technical Service Bulletin



19i9 UPDATE - Coolant Expansion Tank (NVLW)

March 5, 2013

Model(s)	Year	VIN Range	Vehicle-Specific Equipment
A8/S8	2013	009820 - 015495	None

Condition

This Update has been proactively released to prevent the following condition from occurring in the vehicle:

It is possible that leakage may occur at the weld seam on coolant expansion tanks manufactured within a specific period on Audi A8 vehicles.

The Update is in effect until removed.

Vehicle must meet all of the following criteria:

- Procedure is valid only for vehicles that show the 19i9 code in the ElsaWeb Campaign/Action Information screen on the day of repair.
- Vehicles must be within the New Vehicle Limited Warranty.
- Procedure must be performed within the allotted timeframe stated in this Technical Service Bulletin.
- Procedure must be performed on applicable vehicles in dealer inventory prior to sale.

Service

The production date of the coolant expansion tank must be checked on the affected vehicles and the expansion tank must be replaced, if necessary.

Checking manufacturing date of coolant expansion tank

 **Warning:**

- Hot steam and hot coolant can escape, creating a risk of scalding.
- The cooling system is under pressure when hot.
- Cover filler cap on coolant expansion tank with a cloth and open carefully to release pressure.

1. Detach cover (Figure 1, 2) from lock carrier (Figure 1, arrows). Retainers (Figure 1, 3 and Figure 1, 4) must be released when cover is pulled off. Pull cover out of slot on lock carrier (Figure 1, 1) and remove.

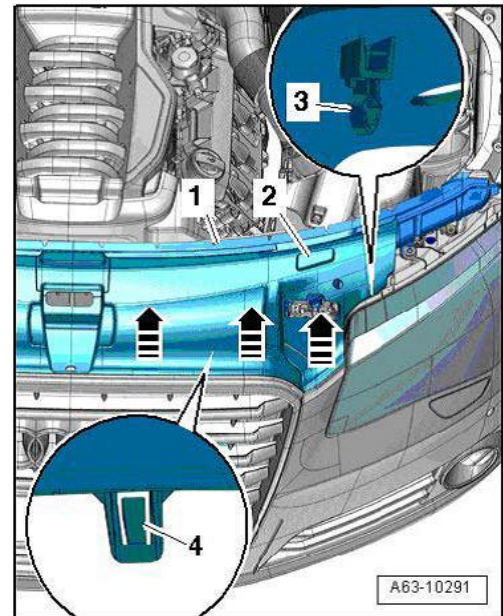


Figure 1. Removing cover.

Technical Service Bulletin



2. Remove longitudinal member (left side) by unscrewing bolts at front and rear (Figure 2) and lifting it out. (Tightening torque: 24 Nm) Then, remove bolts (Figure 3).

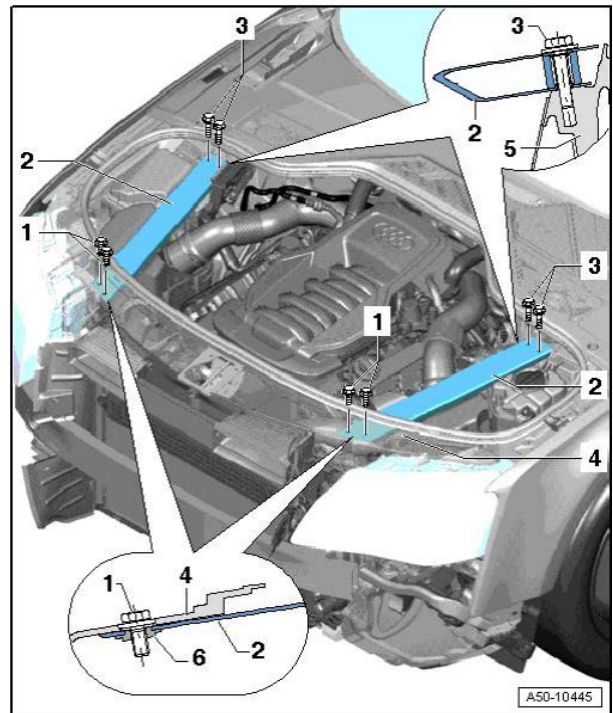


Figure 2. Longitudinal member removal

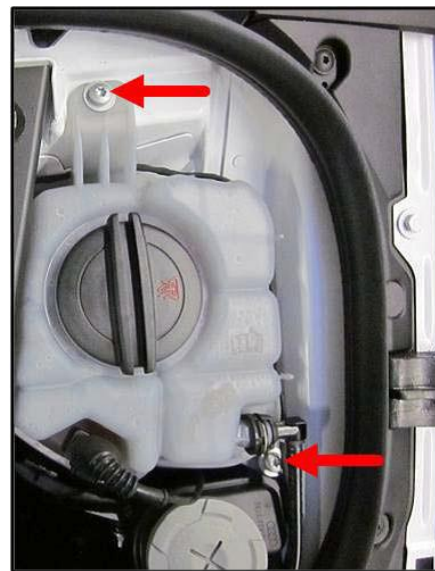


Figure 3. Front and rear bolts.

3. Lift up coolant expansion tank to find the manufacturing date (Figure 4).

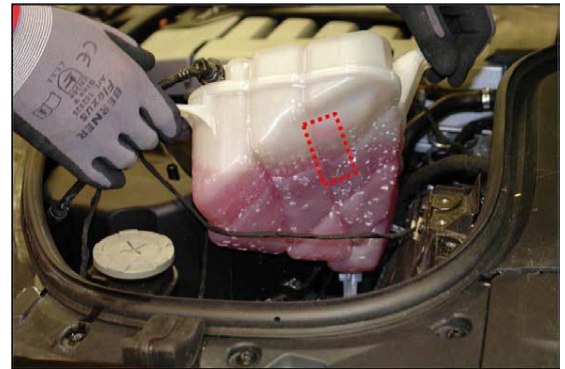


Figure 4. Lifting up coolant expansion tank

4. Observe the manufacturing date. The dial on the left represents the month, and the dial on the right represents the year (Figure 5). In Figure 5, the dial on the left shows “7”, and the dial on the right shows “12”, which means that this example was made in July, 2012.



Figure 5. Manufacturing date.

If the manufacturing date shows either of the following dates, it must be replaced:

- July, 2012
- August, 2012

If the manufacturing date shows any other date, it is okay and can be re-installed.

Replacing the coolant expansion tank

1. Remove the air duct from the engine:
 - W12 engine (Figure 6)
 - S8 engine (Figure 7)



Figure 6. W12 air duct

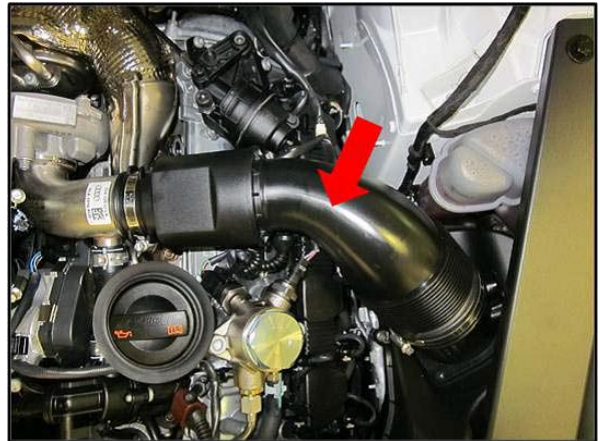


Figure 7. S8 air duct

2. Unplug connector (Figure 8, 1) and disconnect breather line (Figure 8, 2)

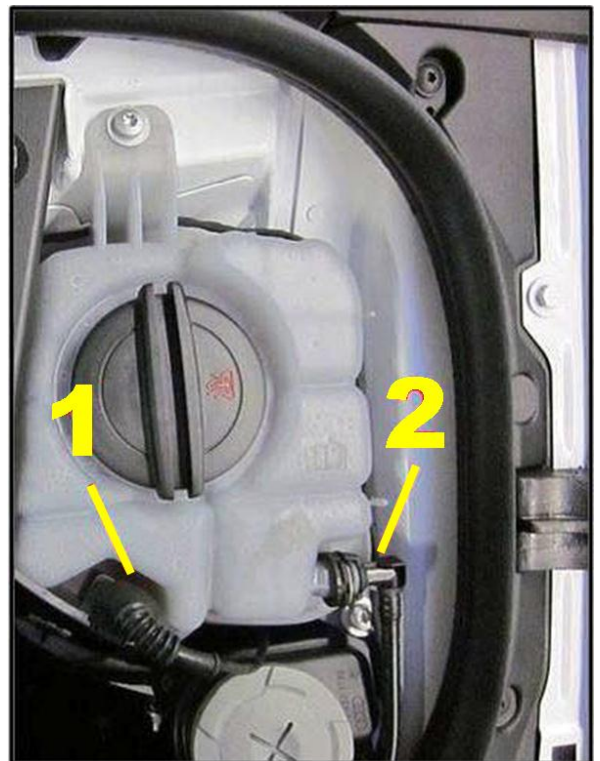


Figure 8. Connector (1) and breather line (2)

3. Clamp off the expansion tank filler hose with hose clamp **3094** or similar.

4. Release hose clip, disconnect filler hose, and seal off opening on expansion tank immediately with your finger (Figure 9).

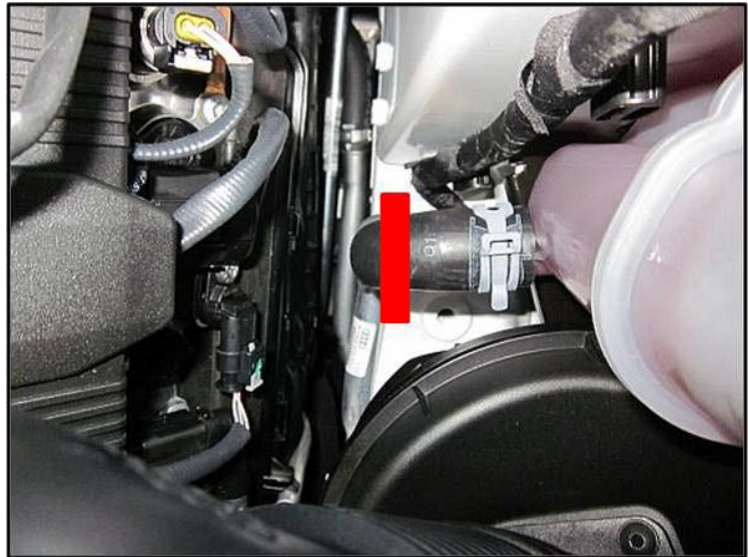


Figure 9. Expansion tank filler hose

5. Lift out expansion tank and catch remaining coolant.
6. Install in reverse order of removal.

 **Note:**

Check the manufacturing date of the *new* coolant expansion tank before installing. If the manufacturing date is July, 2012, or August, 2012, the coolant expansion tank must not be used.

7. Top off cooling system as required.
8. Start engine and visually inspect for leaks.

Technical Service Bulletin



Warranty

<p>Update Time Requirements/ Reimbursement</p>	<p>To ensure prompt and proper payment, be sure to immediately enter the applicable reimbursement code listed below upon completion of the repair work. Claims will be paid only for vehicles that show the 19i9 code in the ElsaWeb Campaign/Action Information screen on the day of repair.</p>		
<p>19i9 Saga Claim Entry Procedure</p> <p>Check ElsaWeb to determine whether Update 19i9 is open.</p> <p>Service No.: 19i9</p> <p>Damage Code: 0099</p> <p>Parts Manufacturer - Removed part: 002</p> <p>Claim Type</p> <p>Sold vehicle = 7 10</p> <p>Unsold vehicle = 7 90</p> <p>Saga Accounting Instructions</p>			
<p>Criteria ID</p>	<p>Repair operation</p>	<p>Labor Operation Number</p>	<p>TU</p>
<p>01 or 02 or 04</p>	<p>Check manufacturing date of coolant expansion tank (no replacement required)</p>	<p>0183 0099</p>	<p>40 TU</p>
<p>-OR-</p>			
<p>01 or 02 or 04</p>	<p>Check manufacturing date of coolant expansion tank and replace coolant expansion tank</p>	<p>1940 5599</p>	<p>70 TU</p>

Technical Service Bulletin



Criteria ID	Part Number	Part Description	Quantity
01 or 02 or 04	4H0 121 403 H	Coolant expansion tank	1
01 or 02	G 013 A8J S0	Coolant additive	10
04	G A13 A8J M1	Coolant additive	1

There is no reimbursement for vehicle wash or loaner vehicle.

If the vehicle is outside of the specified warranty period, the customer has the option to pay for the repair.

If the customer agrees to pay for the repair:

Fax the information to (248) 754-5093 and provide VIN, applicable Service Number, Customer Info, Dealer Number and Date.

If the customer does not agree to pay for the repair:

Fax the information to (248) 754-5093 and provide VIN, applicable Service Number, Customer Info, Dealer Number and Date.

Additional Actions Some of the affected vehicles may be involved in additional Actions. Please check your ElsaWeb Campaign/Action Information screen so that *any additional required work can be done simultaneously.*

Update Verification For verification, *always* check the ElsaWeb Campaign/Action Information screen. The ElsaWeb system is the *only* binding inquiry and verification system; other systems are not valid and *may result in non-payment* of a claim.

Help for Claim Input For questions regarding claim input, contact the Warranty Helpline.

Technical Service Bulletin



Required Customer Notification Inform your customer in writing by recording on the Repair Order any and all work that was conducted on the vehicle, including any and all updates completed under this Update.

Required Parts and Tools

Part Number	Part Description	Quantity
4H0 121 403 H	Coolant expansion tank	1
G A13 A8J M1 (for W12 engines)	Coolant additive	1 liter
G 013 A8J ** (for V8 engines)	Coolant additive	1 liter

- Parts will not be allocated for this Update. Please email vwoaspecialservices@vw.com with valid VIN to obtain parts.
- Properly destroy and dispose of removed parts in accordance with all state and local requirements, unless otherwise indicated and/or requested through SAGA.
- If you have exhausted your allocated parts and you require additional parts for vehicles affected by this Update but have exceeded your Upper Order Limit, please submit your requests for additional parts via email to upperorderlimits@audi.com. Be sure to include the affected VINs with your order. Prior to submitting your request, ensure that each vehicle has the 19i9 code open in ElsaWeb. Your order will be reviewed and processed accordingly.

Additional Information

All parts and service references provided in this Update are subject to change and/or removal. Always check with your Parts Department and service manuals for the latest information.

©2013 Audi of America, Inc. All rights reserved. Information contained in this document is based on the latest information available at the time of printing and is subject to the copyright and other intellectual property rights of Audi of America, Inc., its affiliated companies and its licensors. All rights are reserved to make changes at any time without notice. No part of this document may be reproduced, stored in a retrieval system, or transmitted in any form or by any means, electronic, mechanical, photocopying, recording, or otherwise, nor may these materials be modified or reposted to other sites, without the prior expressed written permission of the publisher.