

**ATTENTION:**

- GENERAL MANAGER
- PARTS MANAGER
- CLAIMS PERSONNEL
- SERVICE MANAGER

IMPORTANT - All Service Personnel Should Read and Initial in the boxes provided, right.




QUALITY DRIVEN® SERVICE

## SERVICE BULLETIN

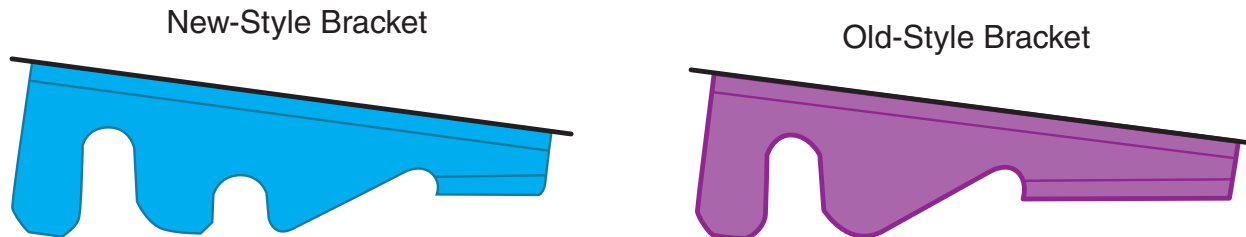
**APPLICABILITY:** 2008-2011MY Impreza and WRX  
 2011-2013 STI  
 2012 and Later Impreza 2.0L

**NUMBER:** 12-146-13  
**DATE:** 02/27/13

**SUBJECT:** Revised Trunk Springs and Mounting Bracket

### INTRODUCTION

This Bulletin provides information regarding a change in production to the design of the trunk torsion spring mounting bracket located on the underside of the rear shelf panel. This change was made to reduce the possibility of noise from the trunk torsion springs during opening and / or closing of the trunk lid. There have also been changes made to the replacement trunk torsion springs. It is important to identify if the vehicle is equipped with the old-style or the new-style mounting brackets to insure the replacement springs are properly positioned after installation. Comparison illustrations to help identify these changes are shown below.



### COUNTERMEASURE IN PRODUCTION

A revised rear shelf panel which incorporates the new-style trunk spring mounting bracket was incorporated into production starting with the following VINs:

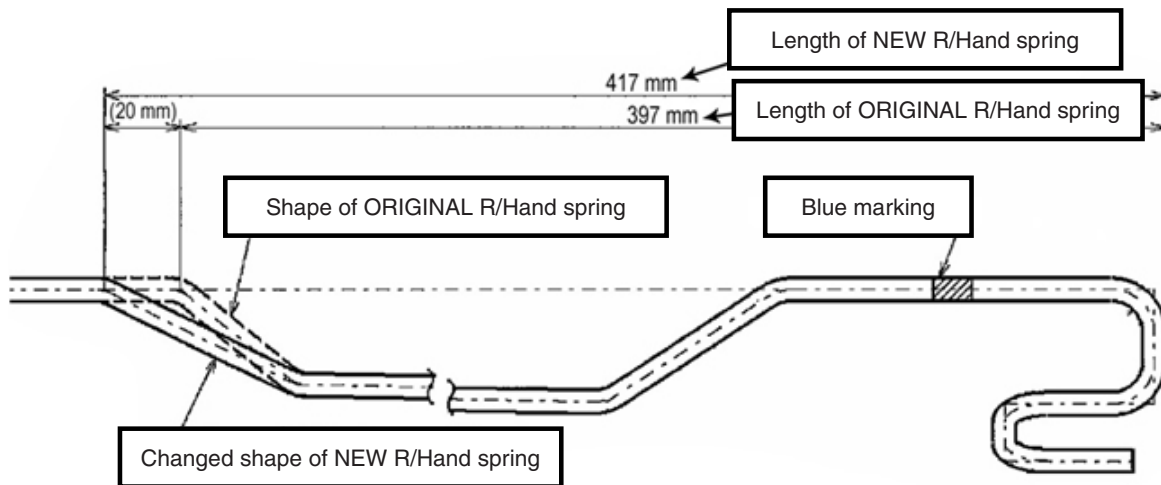
VEHICLE	MODEL	STARTING VIN
<b>2013MY Impreza 2.0L</b>	<b>4-Door</b>	<b>D*003984</b>
<b>STI</b>		<b>D*003993</b>

*Continued...*

<p><b>CAUTION: VEHICLE SERVICING PERFORMED BY UNTRAINED PERSONS COULD RESULT IN SERIOUS INJURY TO THOSE PERSONS OR TO OTHERS.</b></p> <p>Subaru Service Bulletins are intended for use by professional technicians ONLY. They are written to inform those technicians of conditions that may occur in some vehicles, or to provide information that could assist in the proper servicing of the vehicle. Properly trained technicians have the equipment, tools, safety instructions, and know-how to do the job correctly and safely. If a condition is described, DO NOT assume that this Service Bulletin applies to your vehicle, or that your vehicle will have that condition.</p>	<p><b>SUBARU OF AMERICA, INC. IS "ISO 14001 COMPLIANT"</b></p> <p>The international standard for excellence in Environmental Management Systems. Please recycle or dispose of automotive products in a manner that is friendly to our environment and in accordance with all local, state and federal laws and regulations.</p>
--	---

## PART INFORMATION

Part numbers for the revised trunk springs have changed. When ordering replacements, be sure to order the most recent part numbers. The illustration below shows how to differentiate between the replacement springs and the originals. Aside from the shape and overall length differences, there is also a blue marking on the replacement right-hand spring. For the left-hand spring, there is only a minimal change in appearance.



**HINT:** Put an identification mark (e.g. piece of masking tape) on the replacement left-hand spring upon receipt to prevent any possible confusion with the original.

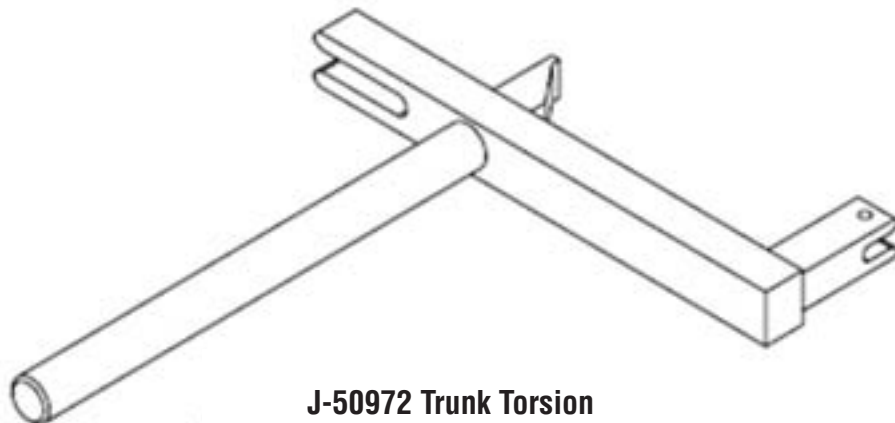
## SERVICE PROCEDURE / INFORMATION

**CAUTION:** The trunk torsion springs are under a considerable amount of tension when in their installed positions. To be safe and to avoid possible injury, **always use the special tool** referenced below and follow the procedures in the applicable Service Manual when removing and installing these springs.

- Lift the trunk lid then brace it securely to hold it in the fully open position.

**CAUTION:** THE TRUNK LID WILL DROP UNDER ITS OWN WEIGHT WHEN THE SPRINGS ARE REMOVED.

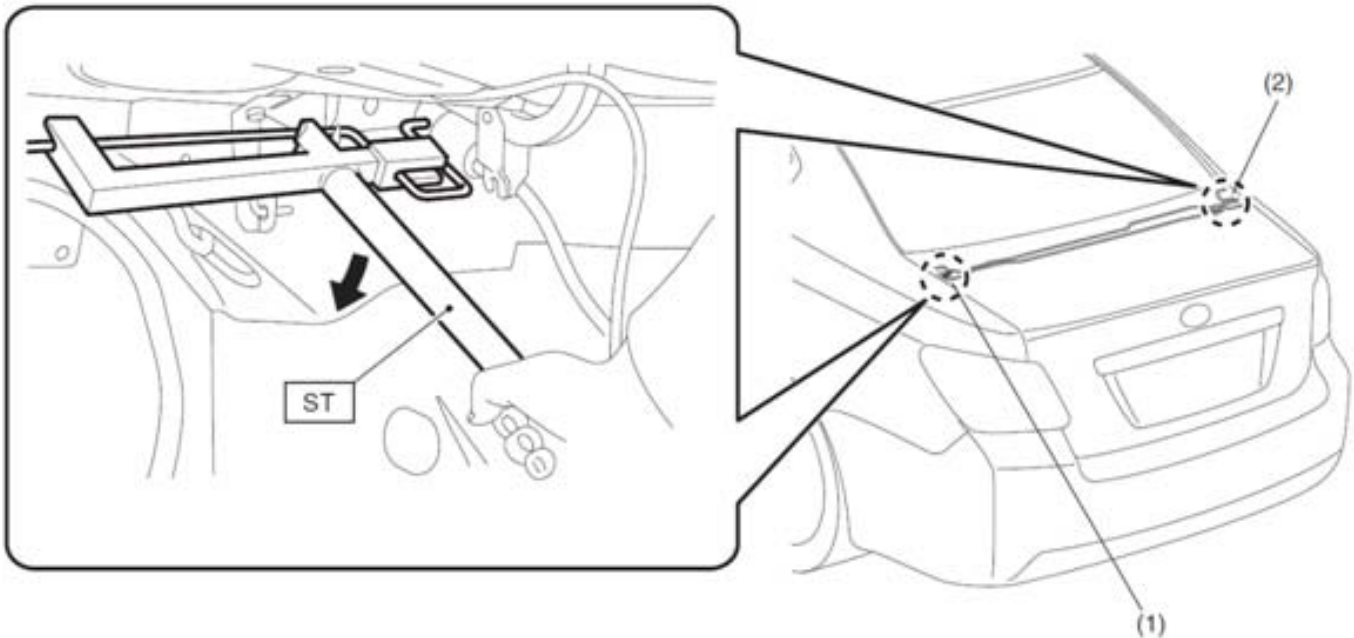
- Remove the trunk torsion springs from the hinge links in the order described using special tool J-50972 shown below. All dealers were shipped this tool during November, 2012.



**J-50972 Trunk Torsion  
Bar Tool**

*Continued...*

- (1) Remove the LEFT trunk torsion spring from the hinge link.
- (2) Remove the RIGHT trunk torsion spring from the hinge link.



- Install the replacement springs using the special tool in the reverse order of removal.
- When installing the replacement springs, refer to the table below for the proper hooking positions.

<b>Replacement Spring Positions</b>	
<b>New-Style Bracket</b>	
<b>Old-Style Bracket</b>	

#### **WARRANTY / CLAIM INFORMATION**

For vehicles within the Basic New Car Limited Warranty period, refer to Subaru Warranty Wizard for claim submission information.