

TECHNICAL BULLETIN  
K185NAS1  
16 AUG 2013



© Jaguar Land Rover North America, LLC

NOTE: The information in Technical Bulletins is intended for use by trained, professional Technicians with the knowledge, tools, and equipment required to do the job properly and safely. It informs these Technicians of conditions that may occur on some vehicles, or provides information that could assist in proper vehicle service. The procedures should not be performed by 'do-it-yourselfers'. If you are not a Retailer, do not assume that a condition described affects your vehicle. Contact an authorized Jaguar service facility to determine whether this bulletin applies to a specific vehicle.

**SECTION: 501-00**

Service Action: Stowage Box Lid

**AFFECTED VEHICLE RANGE:**

**F-TYPE (X152)**

**Model Year:** 2014  
**VIN:** K00317-K03880

**MARKETS:**

NAS

**CONDITION SUMMARY:**

**Situation:** An issue has been identified on a limited number of 2014 model year F-TYPE vehicles, fitted with the rear bulkhead lockable stowage box, where the lockable stowage box lid may unlatch and open when locking the vehicle.

**Action:** Retailers are required to **HOLD** all affected vehicles within the listed VIN range that are in their control and refrain from releasing the vehicles for new or used vehicle sale pending completion of the rework action detailed in this Technical Bulletin. Unsold vehicles should have this performed as part of the Pre-Delivery Inspection (PDI) process. Affected vehicles already in the hands of customers should be updated at the next available opportunity.

**PARTS:**

DESCRIPTION	PART No.	QTY.	EXPECTED % of VEHICLES REQUIRING PARTS*
Latch	T2R1013	1	85



**NOTE: \* when ordering parts, order only the expected percentage demand of parts identified**

**SPECIAL TOOLS:**

Refer to Workshop Manual / Service Instruction for any required tools

**WARRANTY:**



**NOTE: Check DDW to ensure that the vehicle is affected by this program prior to undertaking any rework action. Repair procedures are under constant review, and therefore times / prices are subject to change; those quoted here must be taken as guidance only. Refer to the Repair Times Searcher (RTS) on TOPIX to obtain the latest repair time. At the time of confirming a booking for vehicle repair, ensure that all outstanding Service Actions are identified to ensure the correct parts are available and adequate workshop time is allocated for repairs to be completed at one visit.**

Warranty claims must be submitted quoting Program Code '**K185**' together with the relevant Option Code from the table. The SRO and part information listed have been included for information only. The Option Code(s) that allows for the drive in / drive out allowance can only be claimed if the vehicle is brought into the workshop for this action alone to be

undertaken.

This program is valid for a limited time only. Warranty claims with a repair date prior to the **31 August 2015** closure date must be submitted for payment within 30 calendar days of completion of the repair.

PROGRAM CODE	OPTION CODE	DESCRIPTION	SRO	TIME (HOURS)	PARTS	QTY. / VALUE
K185	B	K00317-K03276 Only Replace latch assembly and remove felt pads	76.14.45	0.40	T2R1013	1
K185	C	K00317-K03276 Only Replace latch assembly and remove felt pads Drive in/drive out	76.14.45 10.10.10	0.40 0.10	T2R1013	1
K185	D	K03277-K03880 Only Remove LH rubber buffer to reduce pre-load on lid	05.10.20	0.20	-	-
K185	E	K03277-K03880 Only Remove LH rubber buffer to reduce pre-load on lid Drive in/drive out	05.10.20 10.10.10	0.20 0.10	-	-



**NOTE: Normal Warranty policies and procedures apply**

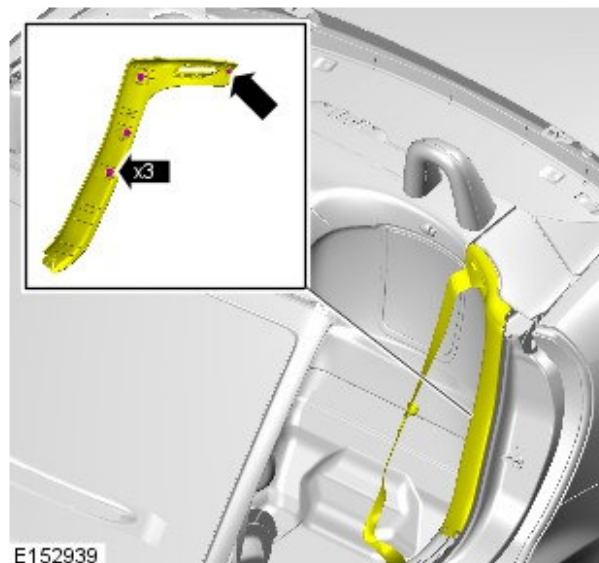
### **SERVICE INSTRUCTION:**



**NOTE: Some illustrations may show the folding top removed for clarity.**

#### **Steps 1-9: VIN K00317-K03276 Only**

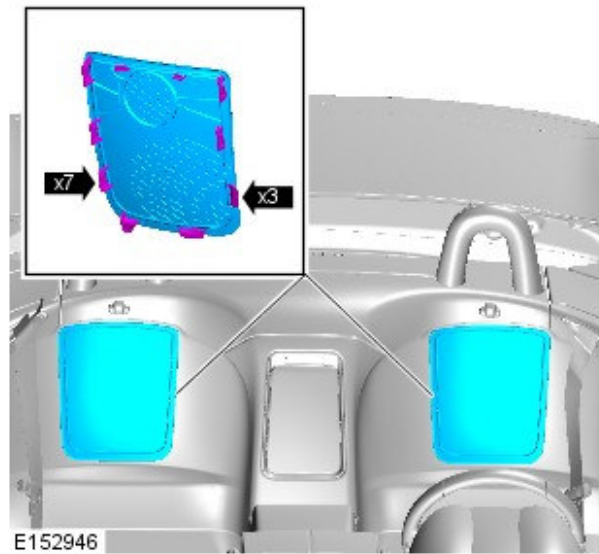
1. Lower folding top.
2. Unclip and remove left-hand (LH) 'B' post trim for access only (seat belt to be left in the 'B' post trim).
  - Repeat procedure to the right-hand (RH) 'B' post trim.



3.  **NOTE: Speaker grille shown; carpet cover similar.**

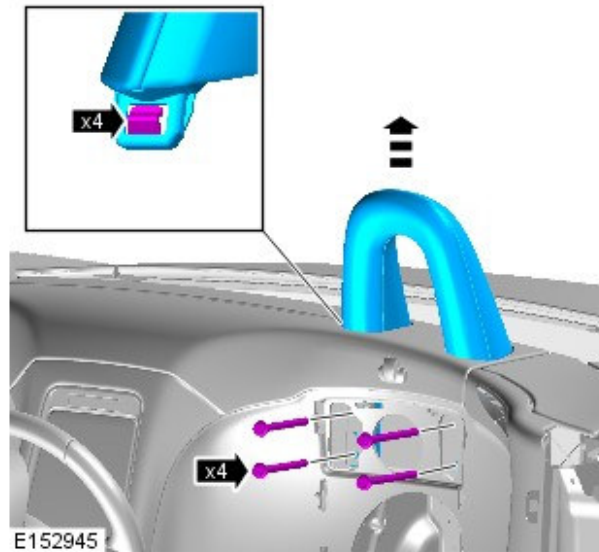
Position the seats to gain access to the speaker grille/carpet covers.

- Release clips and remove the speaker grille/carpet covers.

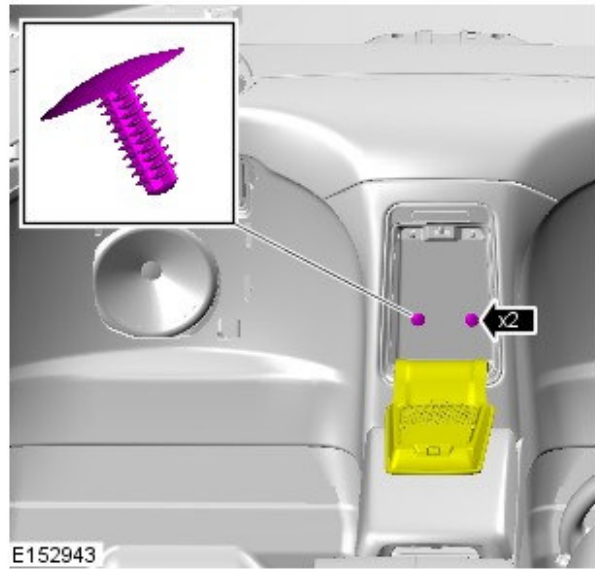


4. Remove fixings and remove LH head restraint.

- Repeat procedure to the RH head restraint.



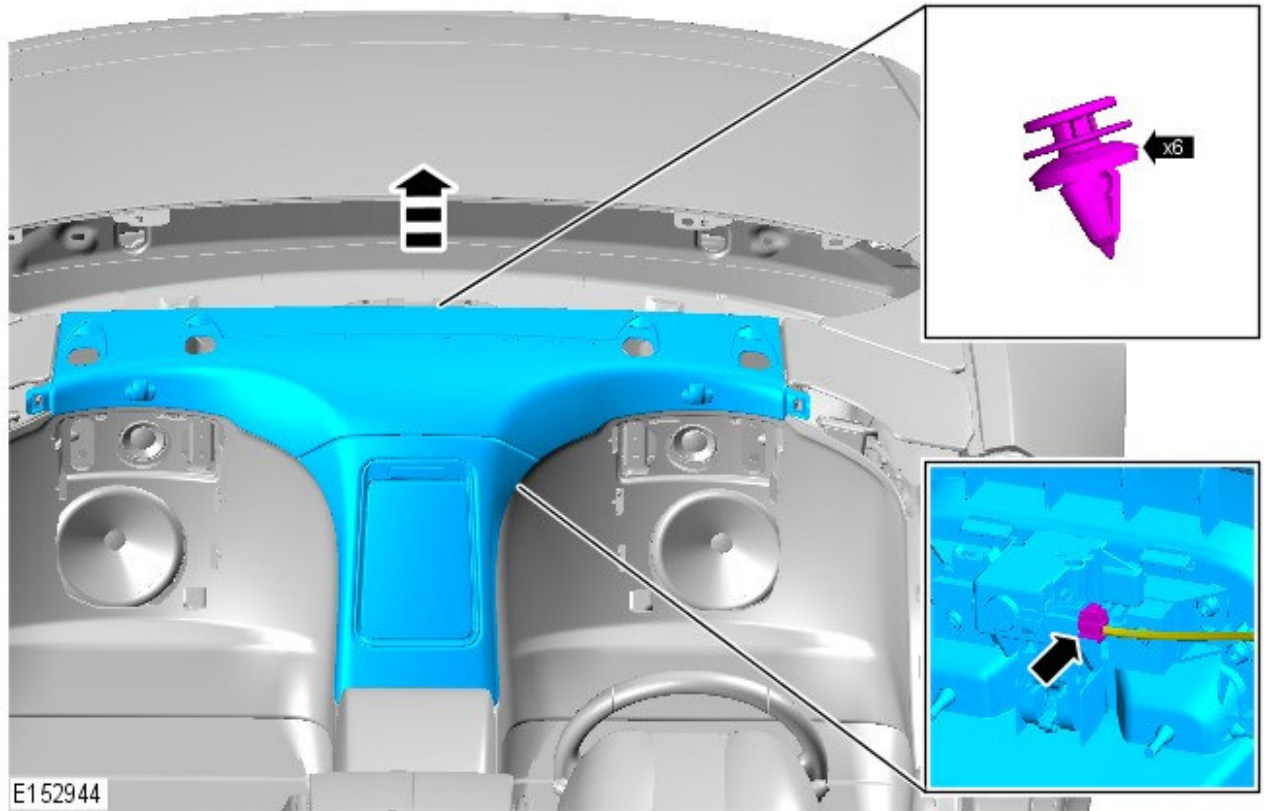
5. Release clips from trim panel.



6. Remove and discard the two (2) felt pads.

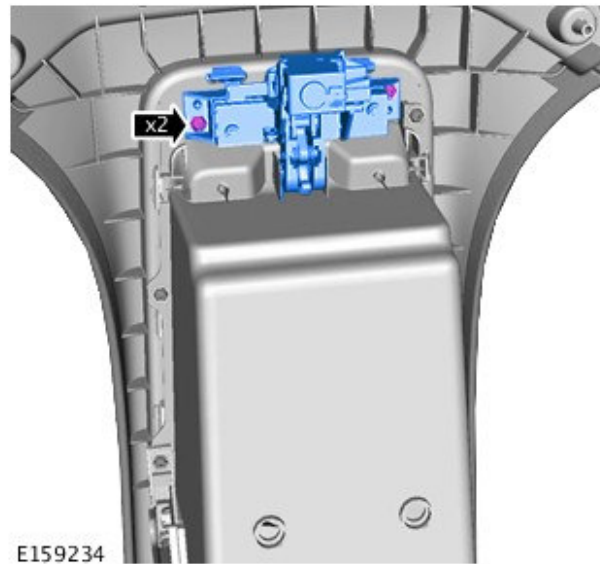


7. Release clips and remove trim panel.



**8.** Undo the fixing; remove and discard the latch:

- Install the new latch
- Tighten fixings to 1.0 Nm +/- 0.2 Nm.



**9.** To install, reverse steps 1-8.

- Tighten the fixings in step 4 to 45Nm.

**Step 10: VIN K03277-K03880 Only**

**10.** Open stowage box lid.

- Remove and discard the LH rubber buffer only.
- Close stowage box lid.

