

Technical Service Bulletin



01 Engine does not start, rough running, excess moisture found in intake piping

01 13 04 2032958/1 June 6, 2013.

Model(s)	Year	VIN Range	Vehicle-Specific Equipment
A3 TDI	2010-2013	All	Not Applicable

Condition

- Engine will not start after standing in cold weather below 0°C (32°F).
- MIL may be illuminated with various induction and/or boost system faults stored in ECM.

Technical Background

Moisture from the intake air condenses and collects in the charge air cooler. At cold temperatures, this moisture can freeze, causing blockage of the intake air system.

Production Solution

Not Applicable.

Service

Install revised charge air cooler kit **1K0198803B** to avoid the formation of this moisture in the boost system:

1. Lock carrier in service position. See *Repair Manual* >> *Group 50* in ElsaWeb.
2. Remove radiator and radiator fan assembly.
3. Separate A/C condenser from charge air cooler.
4. Remove the original charge air cooler (Figure 1, number 3) from the vehicle.



Tip: Charge air hoses can be difficult to remove at the charge air cooler. Try separating the hoses from the hot and cold charge air pipes before loosening charge air cooler.

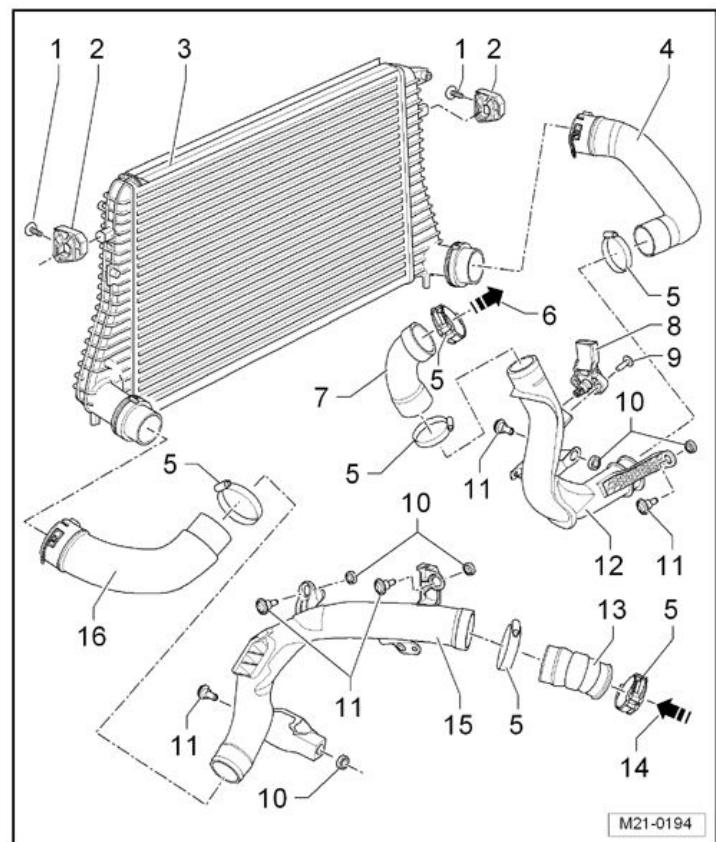


Figure 1: Charge air cooler and intake hose layout

5. Remove the lower charge pressure hoses (Figure 1, numbers 4 and 16) and clean off any moisture or sludge. See *Repair Manual Group 21* >> *Turbocharger/G-Charger* >> *Description and Operation* >> *Component Overview* in ElsaWeb.
6. Remove cold side charge air pipe (Figure 1, number 12) and pressure hose to throttle valve (Figure 1, number 7).
7. Separate the A/C condenser from the charge air cooler.
8. Separate the charge air pressure sensor –G31– from cold side charge air pipe.

9. Install charge air pressure sensor -G31- from kit to cold side charge air pipe.
10. Loosely fit the pressure hose with new temperature switch to the cold side charge air pipe.



Tip: Loosely installing pressure hose with switch to cold side charge air pipe allows for “wobble room” when reinstalling.

11. Install the cold side charge air pipe (Figure 1, number 12) and connect the charge air pressure sensor -G31- electrical connector.
12. Note the vacuum hose routing on the temperature switch (Figure 2).



Figure 2: Vacuum hose routing on temperature switch, showing ventilation hose to air cleaner (1), hose to vacuum source (2), and hose to charge air cooler regulator flap (3).

13. Route vacuum overlay harness (Figure 3, Figure 4).

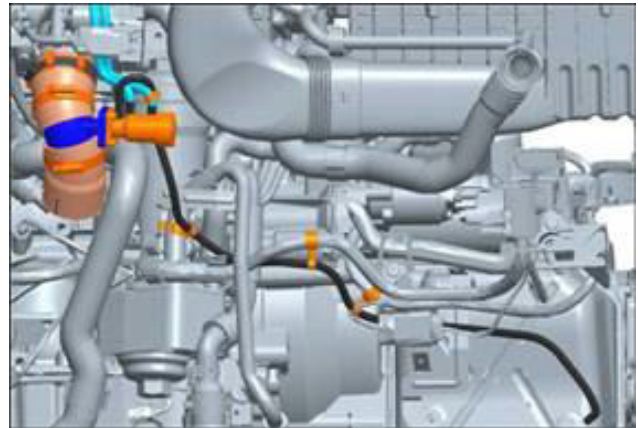


Figure 3: Routing the vacuum overlay harness

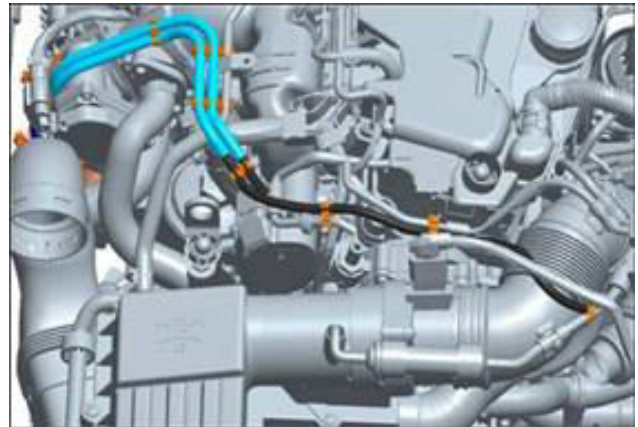


Figure 4: Routing the vacuum overlay harness

14. Cut ventilation hose to air cleaner (Figure 5).



Figure 5: The red arrow indicates where to cut ventilation hose.

15. Install splice (Figure 6).



Figure 6: The red arrow indicates where to install splice.



Tip: Note the white tracer on the vacuum hose (Figure 6).

16. Cut vacuum source hose where indicated (Figure 7) and install splice.

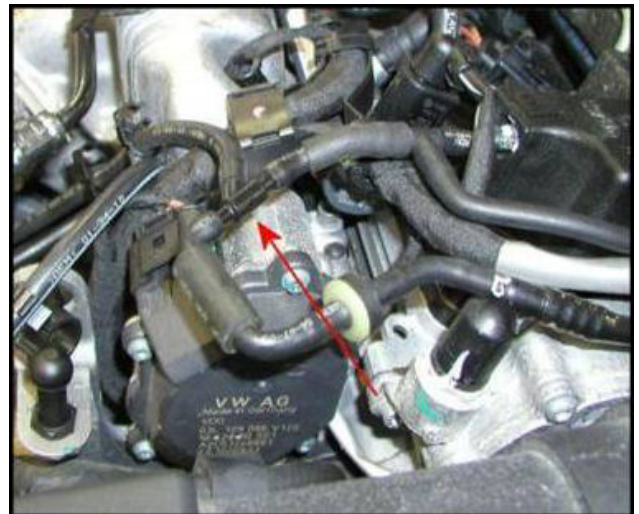


Figure 7: The red arrow indicates where to cut vacuum source hose and install splice.

17. Install the revised charge air cooler (Figure 1, number 3) with regulating flap and connect the regulating flap vacuum hose.
18. Re-assemble all charge air pipe connections.
19. Connect A/C condenser to charge air cooler using fasteners from kit, and install radiator with fan assembly.
20. Reassemble front carrier.
21. Re-aim headlights.

Technical Service Bulletin



Warranty

Claim Type:	Use applicable claim type. If vehicle is outside any warranty, this Technical Service Bulletin is informational only.		
Service Number:	2143		
Damage Code:	0055		
Labor Operations:	Lock carrier remove+reinstall	5038 1900	220 TU
	Charge air cooler remove+reinstall	2143 1962	160 TU
	Temperature sensor remove+reinstall	2151 1910	70 TU
Diagnostic Time:	GFF	0150 0000	20 TU
	Road test prior to service procedure	No Allowance	0 TU
	Road test after service procedure	No Allowance	0 TU
	Technical diagnosis at dealer's discretion. (Refer to Section 2.2.1.2 and Audi Warranty Online for DADP allowance details)		
Claim Comment:	As per TSB #2032958/1		

All warranty claims submitted for payment must be in accordance with the *Audi Warranty Policies and Procedures Manual*. Claims are subject to review or audit by Audi Warranty.

Required Parts and Tools

Part Number	Part Description	Quantity
1K0198803B	Cold Weather Intercooler Kit	1

No special tools are required.

Additional Information

All parts and service references provided in this TSB are subject to change and/or removal. Always check with your Parts Department and service manuals for the latest information.