



**NUMBER:** 26-001-13

**GROUP:** Miscellaneous

**DATE:** May 03, 2013

*This bulletin is supplied as technical information only and is not an authorization for repair. No part of this publication may be reproduced, stored in a retrieval system, or transmitted, in any form or by any means, electronic, mechanical, photocopying, or otherwise, without written permission of Chrysler Group LLC.*

**THIS SERVICE BULLETIN IS ALSO BEING RELEASED AS RAPID RESPONSE TRANSMITTAL (RRT) 13-030. ALL APPLICABLE SOLD RRT VIN's HAVE BEEN LOADED. TO VERIFY THAT THIS RRT SERVICE ACTION IS APPLICABLE TO THE VEHICLE, USE VIP OR PERFORM A VIN SEARCH IN TECHCONNECT.**

**SUBJECT:**

Dodge Dart Racetrack Lighting Customer Initiative

**OVERVIEW:**

This bulletin involves removing and replacing the center rear lamp secured to the decklid assembly.

**MODELS:**

2013 (PF) Dart (U.S. Markets Only)

**NOTE: This bulletin applies to vehicles equipped without (Sales Code LBQ) LED racetrack lighting tail lamps that are not an SE model.**

**SYMPTOM/CONDITION:**

The customer received a promotional flyer and/or is aware of the promotional pricing for a new center rear lamp that is equipped with the racetrack lighting function for all models except SE.

**DIAGNOSIS:**

If a customer's VIN is listed in VIP or your RRT VIN list, perform the repair.

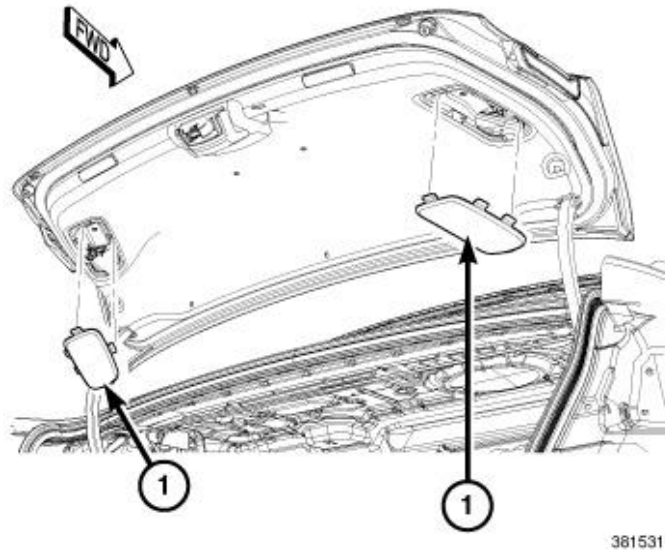
**PARTS REQUIRED:**

Qty.	Part No.	Description
1 (AR)	82213354	Turn Signals, Racetrack Lighting (Without (Sale code GXD) Passive Entry)
1 (AR)	82213687	Turn Signals, Racetrack Lighting (With (Sale code GXD) Passive Entry)

**REPAIR PROCEDURE:**

1. Open the deck lid.
2. Disconnect and isolate the battery negative cable.

- Using Trim Stick C-4755 , remove the access covers (1) from the decklid insulator/trim panel ([Fig. 1](#)).



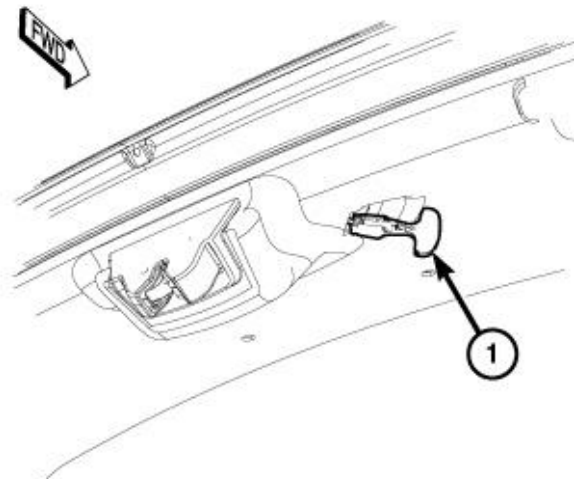
3815317

**Fig. 1 Access Covers**

1 - Access Covers

---

- Route the manual trunk release handle (1) through the decklid insulator/trim panel ([Fig. 2](#)).



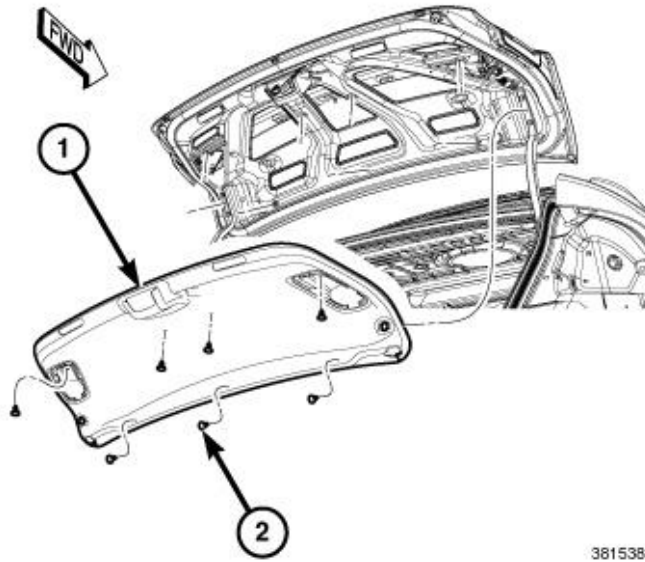
3815373

**Fig. 2 Trunk Release Handle**

1 - Trunk Release Handle

---

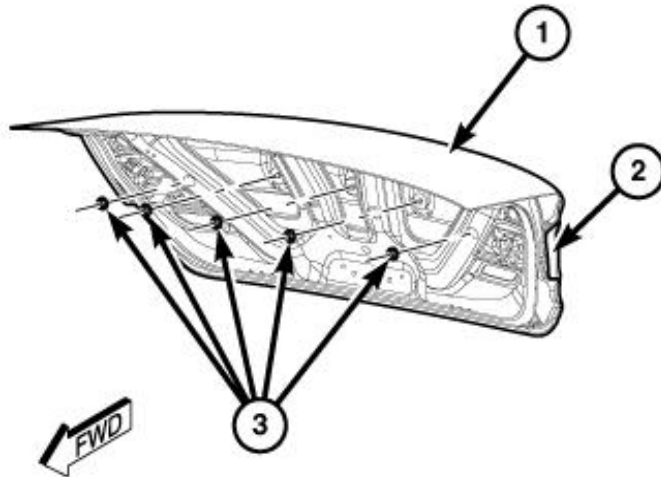
5. Remove the fasteners (2) securing the decklid insulator/trim panel (1) from the decklid (Fig. 3).



**Fig. 3 Decklid Trim Cover**

- 1 - Trim Panel
- 2 - Fasteners

- 
6. Route the decklid insulator/trim out from behind the decklid over slam bumpers.
  7. Remove the decklid insulator/trim panel (1) (Fig. 3).
  8. Remove the five nuts (3) that secure the center tail lamp (2) to the inside of the deck lid inner panel (Fig. 4).

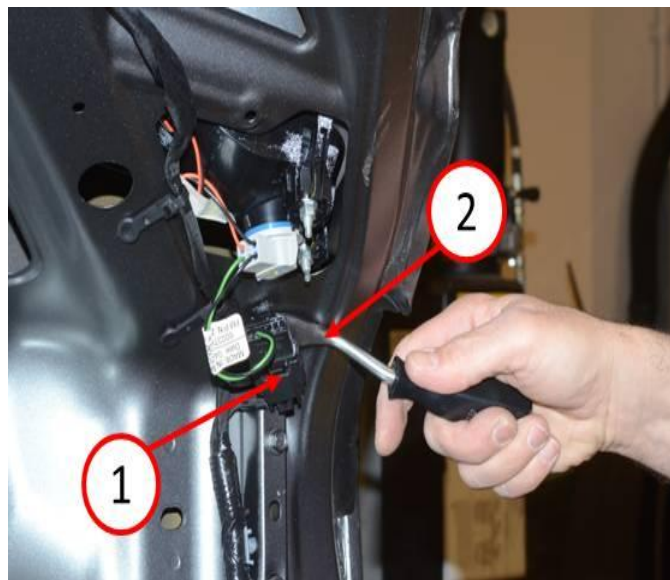


3811363

**Fig. 4 Center Decklid Lamp Fasteners**

- 1 - Decklid
- 2 - Center Tail Lamp
- 3 - Five Fasteners

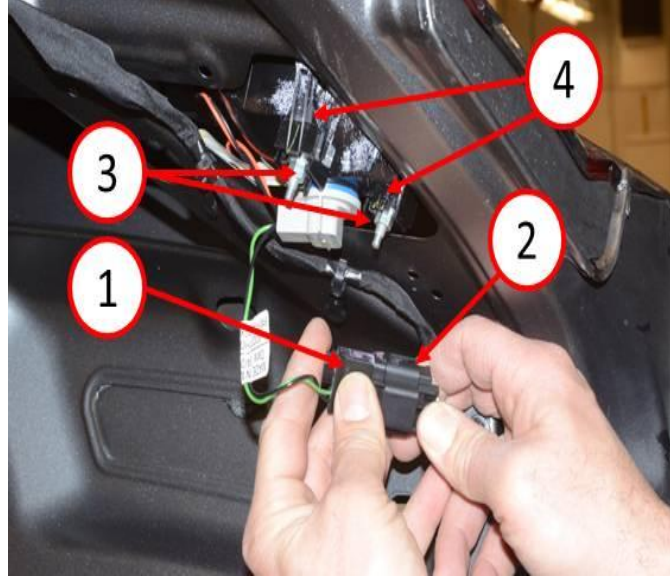
- 
9. Remove the center lamp wiring connector from the decklid assembly as shown in (Fig. 5).



**Fig. 5 Connector Removal**

- 1 - Connector
  - 2 - Trim Removal Tool
-

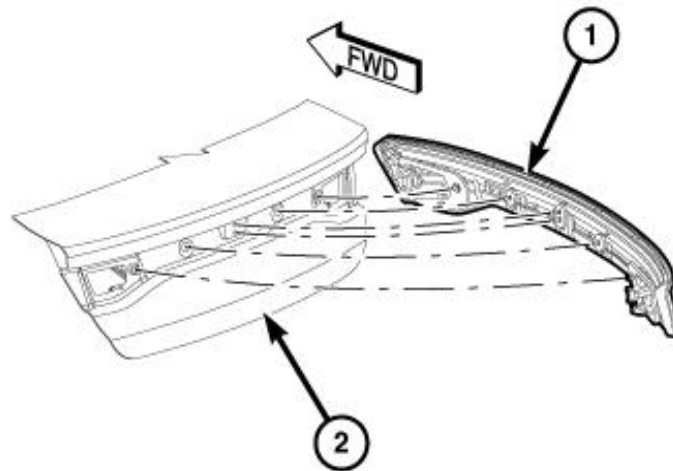
10. Disconnect the body wire harness connector from the center tail lamp (1) pigtail wire harness connector (2) on the right end of the lamp ([Fig. 6](#)).
11. Loosen but do not remove the two retention feature nuts (3) on each end of the lamp ([Fig. 6](#)).
12. Squeeze each of the two retention features (4) on each end of the lamp to disengage the lamp from the deck lid ([Fig. 6](#)).



***Fig. 6 Disconnect Electrical Connector***

- 1 - Center Tail Lamp Connector
- 2 - Body Side Electrical Connector
- 3 - Retention Feature Nuts
- 4 - Retention Features

- 
13. From the outside of the vehicle, grasp each end of the center tail lamp (1) and pull straight rearward to remove the lamp from the outside of the deck lid (2) ([Fig. 7](#)).



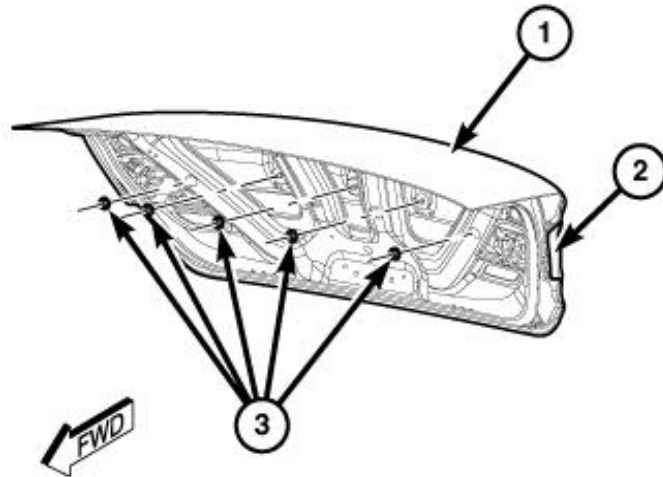
3811879

**Fig. 7 Center Rear Decklid Lamp**

1 - Center Tail Lamp

2 - Decklid

- 
14. Position the new center tail lamp unit (1) into the lower deck lid (2) lamp opening (Fig. 7).
  15. Using hand pressure, press firmly and evenly on the two outboard ends of the center tail lamp to seat the retention features into the deck lid inner panel.
  16. From the inside of the deck lid (1), install and tighten the five nuts (3) that secure the center tail lamp (2) to the deck lid inner panel. Tighten the nuts securely (Fig. 8).

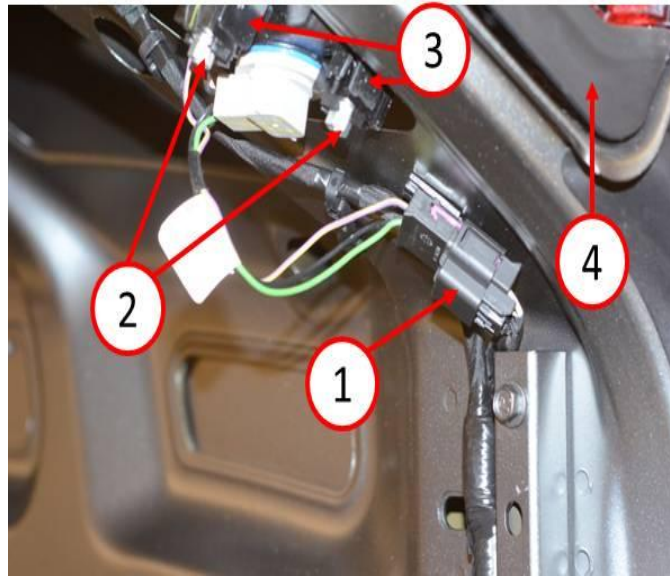


3811363

**Fig. 8 Center Decklid Lamp Fasteners**

- 1 - Decklid
- 2 - Center Tail Lamp
- 3 - Five Fasteners

- 
17. Securely tighten each of the two nuts (2) that secure the two retention features (3) on each end of the center tail lamp (4) to the deck lid inner panel ([Fig. 9](#)).
  18. Connect the body wire harness connector to the center tail lamp pigtail wire connector (1) ([Fig. 9](#)).

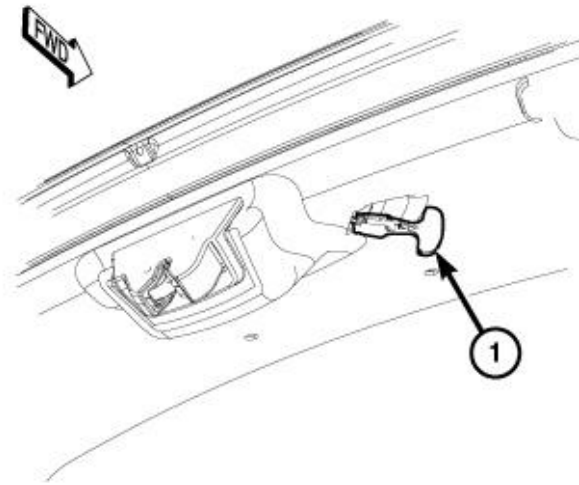


**Fig. 9 Connect Electrical Connector**

- 1 - Center Tail Lamp Electrical Connector
- 2 - Retention Feature Nuts
- 3 - Retention Features
- 4 - Center Tail Lamp

- 
19. Reconnect the battery negative cable.
  20. Verify the new rear center lamp race track lighting feature functions correctly by engaging and disengaging the brake pedal.
  21. Position the decklid insulator/trim panel near the vehicle.
  22. Route the manual trunk release handle (1) through the decklid insulator/trim panel (Fig. 10).



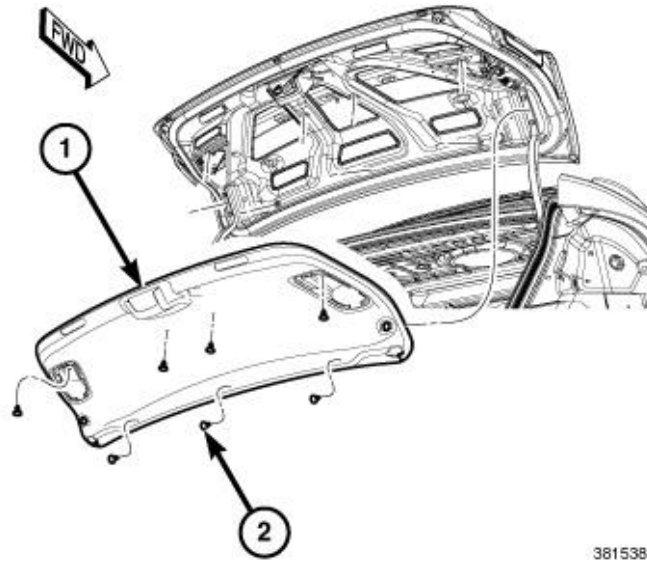


3815373

**Fig. 10 Trunk Release Handle**

1 - Trunk Release Handle

- 
23. Align the decklid insulator/trim panel (1) on the decklid (Fig. 11).
  24. Install the fasteners (2) securing the decklid insulator/trim panel (1) into the decklid (Fig. 11).
  25. With the use of a trim stick, route the overslam bumper openings in decklid insulator/trim panel over the decklid overslam bumpers and insert fully (Fig. 11).



3815389

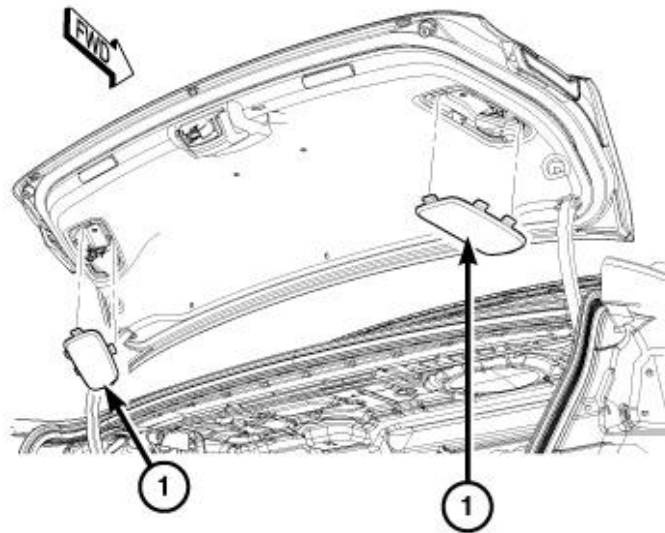
**Fig. 11 Decklid Trim Cover**

1 - Trim Panel

2 - Fasteners

---

26. Install the access covers (1) to the decklid insulator/trim panel (Fig. 12).



3815317

**Fig. 12 Access Covers**

1 - Access Covers

---

27. Close the decklid.

**TIME ALLOWANCE:**

<b>Labor Operation No:</b>	<b>Description</b>	<b>Amount</b>
08-50-85-94	Remove and Replace Center Rear Tail Lamp Mounted On Decklid Assembly (1- Semi-Skilled)	0.3 Hrs.

***FAILURE CODE:***

ZZ	Service Action
----	----------------