

TECHNICAL BULLETIN
LTB00563NAS2
01 OCT 2013



© Jaguar Land Rover North America, LLC

NOTE: The information in Technical Bulletins is intended for use by trained, professional Technicians with the knowledge, tools, and equipment required to do the job properly and safely. It informs these Technicians of conditions that may occur on some vehicles, or provides information that could assist in proper vehicle service. The procedures should not be performed by 'do-it-yourselfers'. If you are not a Retailer, do not assume that a condition described affects your vehicle. Contact an authorized Land Rover service facility to determine whether this bulletin applies to a specific vehicle.

This reissue replaces all previous versions. Please destroy all previous versions. Only refer to the electronic version of this Technical Bulletin in TOPIx.

Changes are highlighted in gray

SECTION: 501-14

Smart Key Handset - Lower-Level Service Repair

AFFECTED VEHICLE RANGE:

Range Rover Sport (LS)

Model Year: 2010-2012
VIN: AA212147-CA717166

LR4 (LA)

Model Year: 2010-2012
VIN: AA510742-CA596988

Range Rover (LM)

Model Year: 2010-2012
VIN: AA304426-CA393639

MARKETS:

NAS

CONDITION SUMMARY:

Situation: The face of the Smart Key handset may peel away from the handset main body.

Cause: This may be caused by the handset manufacturing process.

Action: Should a customer express this concern, follow the Service Instruction outlined below.

PARTS:

LR052882	Smart key kit - LR4	Quantity: 1
LR052905	Smart key kit - Range Rover Sport, Range Rover	Quantity: 1

TOOLS:

Suitable tool lever; see Service Instruction

WARRANTY:

 **NOTE: Repair procedures are under constant review, and therefore times are subject to change; those quoted here must be taken as guidance only. Always refer to TOPIx to obtain the latest repair time.**

 **NOTE: DDW requires the use of causal part numbers. Labor only claims must show the causal part number with a quantity of zero.**

DESCRIPTION	SRO	TIME (HOURS)	CONDITION CODE	CAUSAL PART

Casing - Handset/Smart key - Renew - LR4	86.77.36	0.1	49	LR024096
Casing - Handset/Smart key - Renew - Range Rover Sport, Range Rover	86.77.36	0.1	49	LR024070



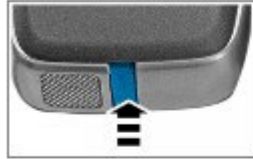
NOTE: Normal Warranty policies and procedures apply.

SERVICE INSTRUCTION:



NOTE: Refer to SSM66357, 'Smart key low level repair, animation of process', to view animation file.

1. Press the release button and pull the battery cover frame open.



E158176

2. Remove the battery holder assembly; place to one side.



E158177

3. Using a suitable tool lever, open the body of the handset:

- Discard the handset upper case.



E158178


4. Remove the battery cover frame; place to one side.



E158179

5. Remove the key frame holder; place to one side.

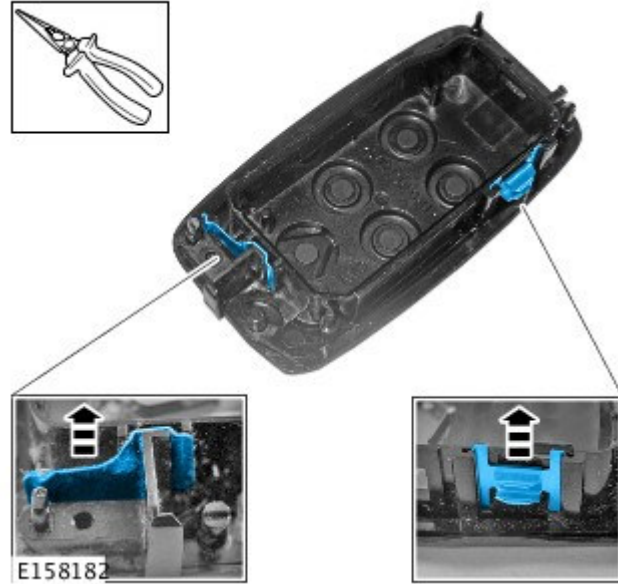


6.  **CAUTION: When removing the Printed Circuit Board (PCB), only handle on the outer edges of the PCB.**

Remove the Printed Circuit Board (PCB); place to one side.




7. Remove retaining clip and leaf spring; place to one side.



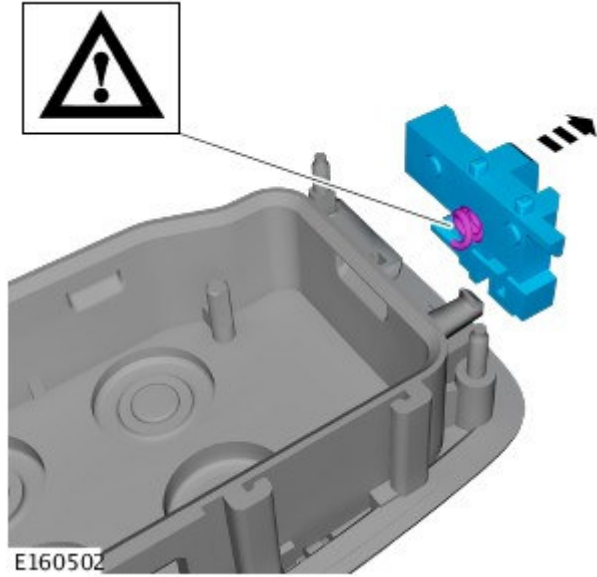
8. Remove the silicon seal; place to one side.



9.  **NOTE: Make sure the spring is retained as it is required on the install procedure.**

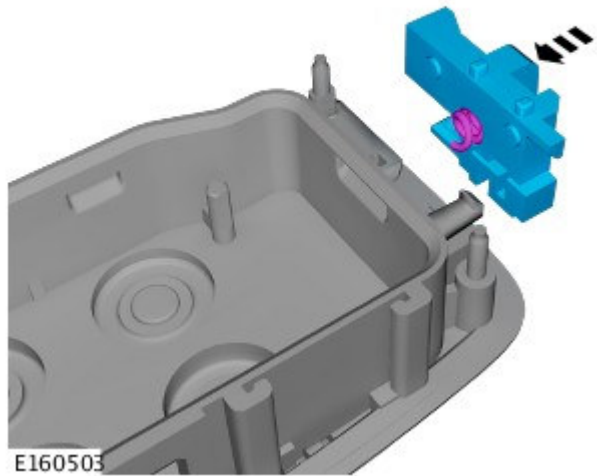
Remove the release button.

- Discard the handset lower case.



10.  **NOTE: Make sure the spring is fitted and located correctly.**

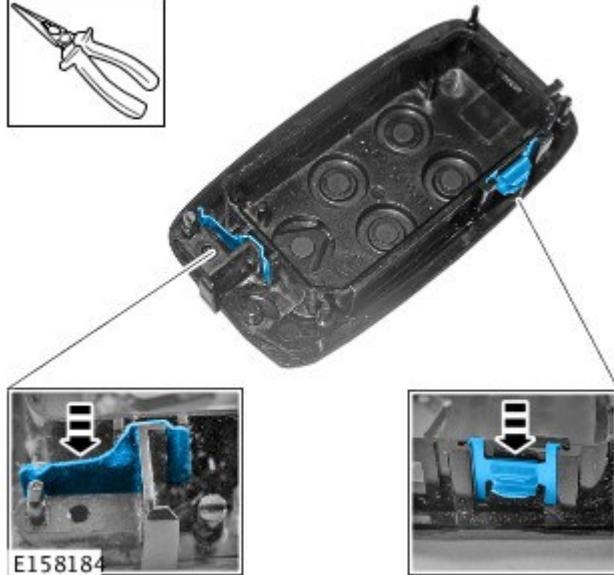
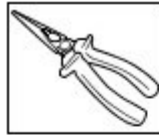
Install the release button into the new handset lower case.



11. Install the silicon seal.



12. Install the retaining clip and leaf spring into the lower case.



13. **⚠ CAUTION: When installing the Printed Circuit Board (PCB), only handle on the outer edges of the PCB.**

Install the Printed Circuit Board (PCB).



E158185

14. Install the key frame holder.



E158186

15. Install the battery cover frame.



E158187

16. Install the battery holder assembly.



E158188

17. Press the new handset upper and lower cases together:

- Listen for an audible 'click' to make sure the handset is correctly assembled.



E158189

18.  **NOTE: IDS / SDD is not required to program the key at the end of this process.**

Check correct operation of the Smart Key handset.