



## Service Bulletin 485

Strictly Confidential

March 2013

---

<b>Affected Models</b> .....	<b>Daytona 675, Daytona 675 ABS, Daytona 675R and Daytona 675R ABS</b>
<b>VIN Range</b> .....	<b>579874 to 587602</b>
<b>Markets</b> .....	<b>All except Japan</b>
<b>Subject</b> .....	<b>Coolant Hose T-Piece to Crankcase Bolts</b>

### Background Information

We have identified that the two bolts securing the coolant hose T-piece to the lower crankcase are not tightened to specification. Dealers are requested to re-torque the bolts as instructed below.

### Customer Contact Instructions

Motorcycles in the affected VIN range must be modified prior to delivery to the customer, or at the next service/visit to the dealership.

### Identification of Affected Motorcycles

Daytona 675, Daytona 675 ABS, Daytona 675R and Daytona 675R ABS motorcycles listed in the VIN range above.

### Warranty Claim Instructions

Fault code .....

02103791
----------

Repair code .....

99485
-------

Repair time allowance .....

0.25 hrs (includes admin allowance)
-------------------------------------

### Genuine Parts Information

Genuine Parts .....

Not Applicable
----------------

# TRIUMPH

**Genuine Parts ordering instructions** . . . . .Not Applicable


**Genuine Parts return instructions** . . . . .Not Applicable


## Other Instructions

Once completed, please mark the service record book that the requirements of this bulletin have been complied with.

## Replacement Procedure


Tighten the coolant T-piece bolts to the crankcase following the procedure listed below:


 <b>Warning</b>
Throughout the following procedure, ensure that the motorcycle is stabilised and adequately supported to prevent the risk of injury from the motorcycle falling.


 <b>Warning</b>
A torque wrench of known accurate calibration must be used. Failure to tighten any of the fasteners to the correct torque specification may result in loss of motorcycle control and an accident.

### Note:

- **The modified motorcycles can be identified by checking the 'Outstanding Service Bulletins' on Warranty On-Line.**

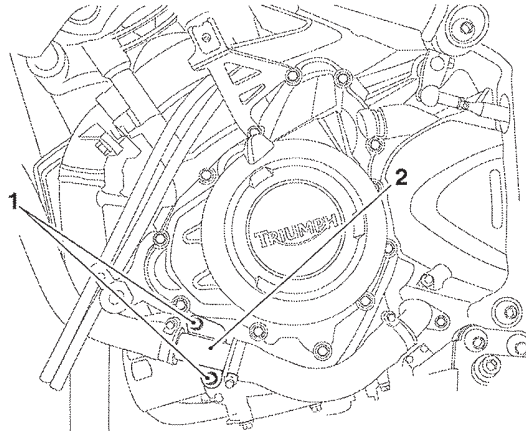
 <b>Warning</b>
The standard coolant mixture contains toxic chemicals that are harmful to the human body. Never swallow neat anti-freeze or any of the coolant mixture.

 <b>Warning</b>
Do not remove the coolant pressure cap when the engine is hot. When the engine is hot, the coolant inside the radiator is hot and also under pressure. Contact with the pressurised coolant will cause scalds and skin damage.

 <b>Caution</b>
The coolant contains a corrosion inhibitor which helps prevent damage to the metal surfaces inside the cooling system. Without this inhibitor, the coolant would 'attack' the metals and the resulting corrosion would cause blockages in the cooling system, leading to engine overheating and damage. Always use the correct coolant as specified in the owner's handbook. Never use a methanol-based anti-freeze as this does not contain the required corrosion inhibition properties.

# TRIUMPH

1. Remove the rider's seat as described in the service manual.
2. Disconnect the battery, negative (black) lead first.
3. Remove the left hand fairing as described in the service manual.
4. Locate the coolant hose T-piece bolts and tighten to **6 Nm**.



**1. Bolts**

**2. Coolant hose T-piece**

5. Refit the left hand fairing as described in the service manual.
6. Reconnect the battery, positive (red) lead first.
7. Refit the rider's seat as described in the service manual.

### Circulation

(Initial and date when read and return to central file holder)

Service Manager	Parts Manager	Sales Manager	Workshop Supervisor	Technician 1	Technician 2