



To All Lamborghini Dealers and Licensed Service Point
From Customer Service Department
Subject Starter Ventilation Enhancement
Group 9.11.00
Date 15th/11/2013
Pages 6

Subject

Starter ventilation enhancement.

Model

All Lamborghini Aventador LP 700 Coupe and Roadster MY 12,13 and 14 from VIN CLA0091 to VIN ELA02238.

Warning: some vehicles included in this VIN range may not be involved, so check carefully on the Lamborghini WEB Portal (at the section named VIN Info) if the cars in your workshop or in your dealer stock are involved before performing any other operation.

Information to the field

As a result of continuous product monitoring, Automobili Lamborghini Spa has found that on some vehicles, the starter motor may not crank immediately upon start request.

Field solution

Replace lower starter motor screw without threadlocker, allowing for better temperature control.

Spare Parts

P/N	Description	Q
470198317	Screw without threadlocker	1

Warranty Claim data

The warranty reimbursement request for this rework action will be managed by the following standard Warranty Claim procedures.



Campaign Code: L83X-A.04.13
Campaign Description: Starter ventilation enhancement
Cost Code: 50
Component Code: CCA0413
Trouble Code: 220
Labour Code: CCA0413100
Labour Time: 0,4 h.

Remember to fill all data in the section “Service and Recall Campaign” in the Warranty booklet of the vehicle as shown below.

Automobili Lamborghini S.p.A.
 Campagne service assistenza e campagne di richiamo / Service- und Rückrufaktion / Service and Recall Campaign
 Servicio y campaña de rappel / Campaña de Servicio y Llamada a Taller

Service/Service
Servizio Richiamo/Recall
Servizio/Richiamo a Taller

Numero/Number
Numero/Numero

Data/Date/Date
Data/Date/Date

Data/Date/Date
Data/Date/Date

Compilata dal Concessionario / Annotata dal cliente / Annotata dal Concessionario / Compilada por el concesionario / Annotada por el Cliente / Annotada por el Concessionario

Service/Service
Servizio Richiamo/Recall
Servizio/Richiamo a Taller

Numero/Number
Numero/Numero

Data/Date/Date
Data/Date/Date

Data/Date/Date
Data/Date/Date

Compilata dal Concessionario / Annotata dal cliente / Annotata dal Concessionario / Compilada por el concesionario / Annotada por el Cliente / Annotada por el Concessionario

Firma / Unterschrift / Signature / Autografo / Firma

Service/Service
Servizio Richiamo/Recall
Servizio/Richiamo a Taller

Numero/Number
Numero/Numero

Data/Date/Date
Data/Date/Date

Data/Date/Date
Data/Date/Date

Compilata dal Concessionario / Annotata dal cliente / Annotata dal Concessionario / Compilada por el concesionario / Annotada por el Cliente / Annotada por el Concessionario

Firma / Unterschrift / Signature / Autografo / Firma

Service/Service
Servizio Richiamo/Recall
Servizio/Richiamo a Taller

Numero/Number
Numero/Numero







Data/Date/Date
Data/Date/Date

Data/Date/Date
Data/Date/Date

Compilata dal Concessionario / Annotata dal cliente / Annotata dal Concessionario / Compilada por el concesionario / Annotada por el Cliente / Annotada por el Concessionario

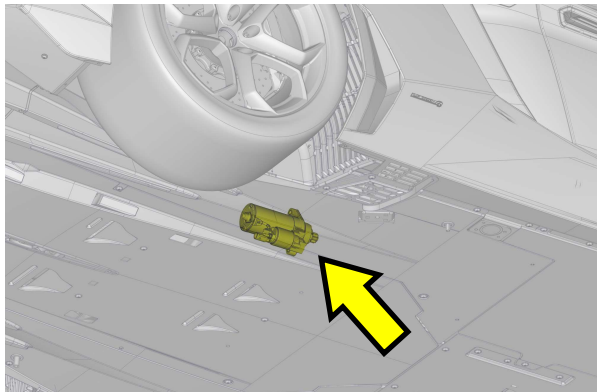
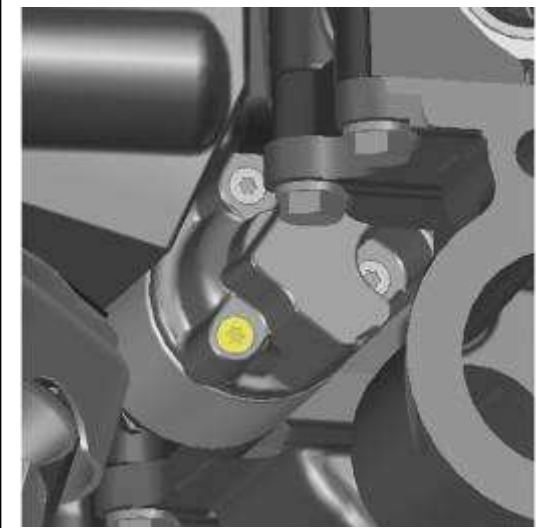
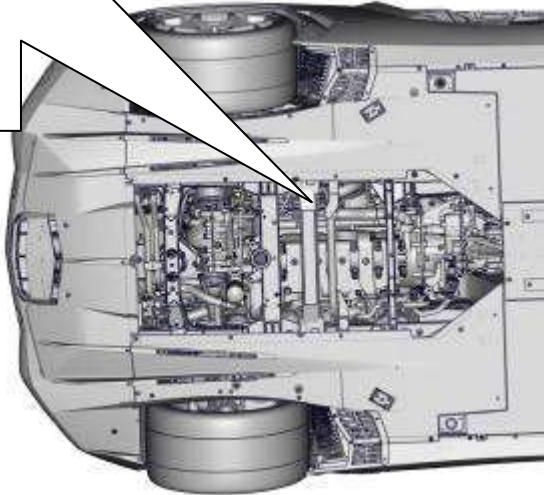


Identification

1	Check the illustration below to distinguish old from new screw.			
	<table border="1"><tr><td data-bbox="416 468 1050 533">Original (with threadlocker)</td></tr><tr><td data-bbox="416 533 1131 792"></td></tr><tr><td data-bbox="416 792 1131 1003"></td></tr><tr><td data-bbox="416 1003 919 1068">New (NO threadlocker)</td></tr></table>	Original (with threadlocker)		
Original (with threadlocker)				
				
				
New (NO threadlocker)				



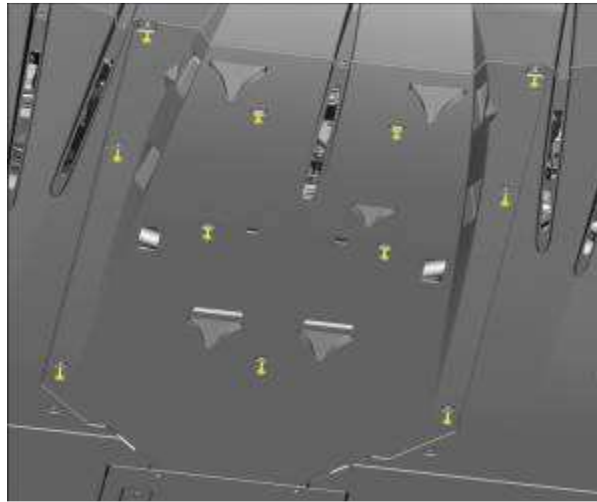
Description of required procedures

2	Place vehicle on suitable hoist and lift it properly to work safe from risks.
3	Identify the working Area and the lower screw to be replaced 
 	



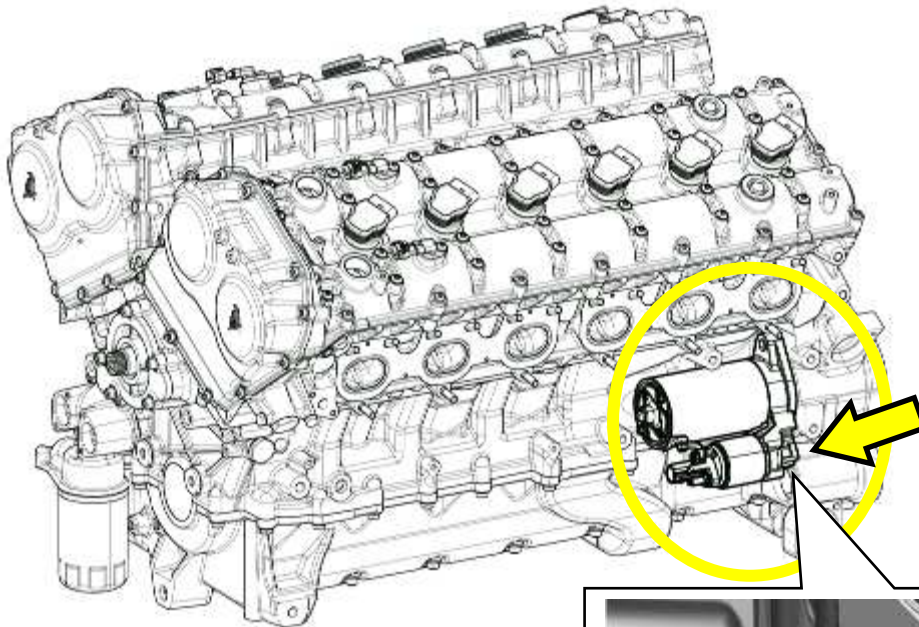
4 **WARNING!**
Operations to be performed at cold engine!

Remove vehicle rear central bottom panel (082503)





Detect the screw to be replaced: lower screw of starter motor.

5





6	Unfasten and remove the screw.	
7	<p>Insert the new screw (p/n 470198317) and fasten without tightening it.</p> <p>Unscrew completely the screw so that all the eventual threadlocker residues might come off from the tapped hole.</p> <p>Clean eventually the screw from threadlocker remainings.</p> <p>Reinstall and tighten completely the new screw.</p> <p>Torque: 6 Nm</p>	

Reassembly

8	Fit vehicle rear central bottom panel (082505).
---	--

Please contact your Area Manager for any further information.

Yours sincerely

Customer Service.