



Technical Service Bulletin

SUBJECT:			No: TSB-13-55-001
TORQUE SPECIFICATIONS FOR A/C CONTROL UNIT MOUNTING – SERVICE MANUAL REVISION			DATE: March, 2013
			MODEL: 2012 i-MiEV
CIRCULATE TO:	<input type="checkbox"/> GENERAL MANAGER	<input type="checkbox"/> PARTS MANAGER	<input checked="" type="checkbox"/> TECHNICIAN
<input checked="" type="checkbox"/> SERVICE ADVISOR	<input checked="" type="checkbox"/> SERVICE MANAGER	<input type="checkbox"/> WARRANTY PROCESSOR	<input type="checkbox"/> SALES MANAGER

PURPOSE

This TSB updates the torque specification for the A/C control unit mounting bolts.

AFFECTED VEHICLES

2012 i-MiEV

AFFECTED SERVICE MANUALS

2012 i-MiEV Service manual: Group 55 Heater – Ventilation and Air Conditioning > A/C Control Unit > Removal and Installation.

Continued

Copyright 2013, Mitsubishi Motors North America, Inc.

(3972)

The information contained in this bulletin is subject to change. For the latest version of this document, go to the Mitsubishi Dealer Link, MEDIC, or the Mitsubishi Service Information website (www.mitsubishitechinfo.com).

Please apply the following changes to the 2012 i-MiEV Service Manuals: Group 55 – Heating, Air Conditioning and Ventilation > A/C Control Unit > Removal and Installation

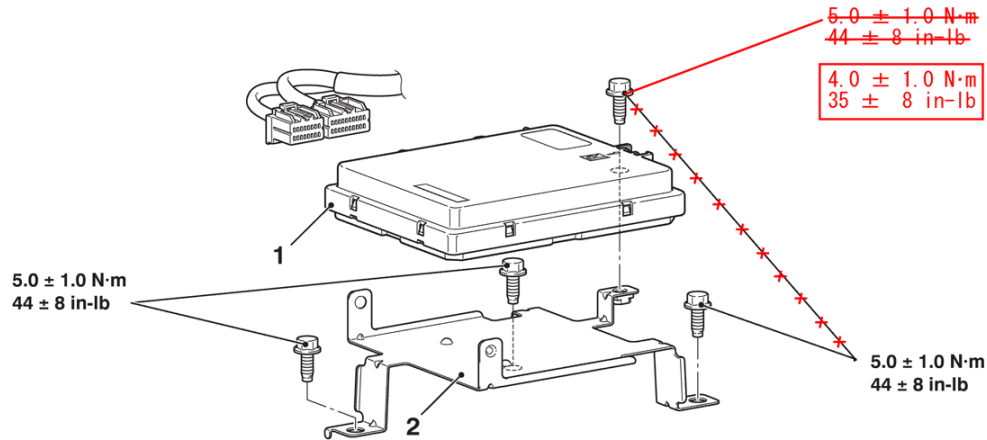
A/C CONTROL UNIT

REMOVAL AND INSTALLATION

M1550103300010

Pre-removal and post-installation operation

- Rear floor cover panel removal and installation (Refer to GROUP 42 – Loose Panel .)



AC900916AC

Removal steps

1. A/C control unit
2. A/C control equip bracket