



Technical Service Bulletin

SUBJECT:		No: TSB-13-51-001	
REAR THREE-DIAMOND LOGO PLACEMENT – SERVICE MANUAL REVISION		DATE: February, 2013	
		MODEL: 2013 Outlander Sport/ RVR	
CIRCULATE TO:	<input type="checkbox"/> GENERAL MANAGER	<input checked="" type="checkbox"/> PARTS MANAGER	<input checked="" type="checkbox"/> TECHNICIAN
<input checked="" type="checkbox"/> SERVICE ADVISOR	<input checked="" type="checkbox"/> SERVICE MANAGER	<input checked="" type="checkbox"/> WARRANTY PROCESSOR	<input type="checkbox"/> SALES MANAGER

PURPOSE

This TSB updates the locating measurement of the three-diamond mark on the liftgate.

AFFECTED VEHICLES

2013 Outlander Sport/RVR

AFFECTED SERVICE MANUALS

2013 Outlander Sport RVR Group 51 Exterior > Mark > Removal and Installation

Continued

Copyright 2013, Mitsubishi Motors North America, Inc.

(3962)

The information contained in this bulletin is subject to change. For the latest version of this document, go to the Mitsubishi Dealer Link, MEDIC, or the Mitsubishi Service Information website (www.mitsubishitechinfo.com).

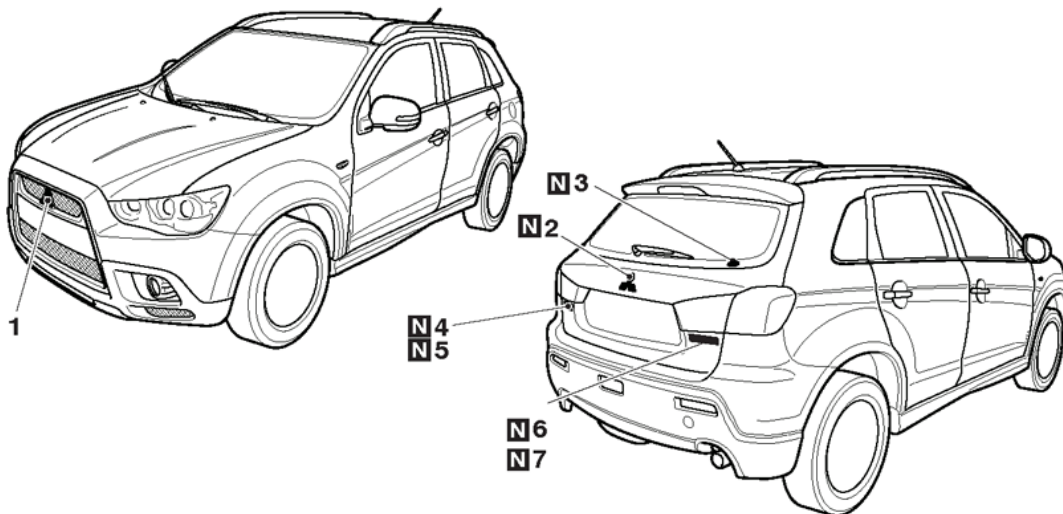
Make the following updates to the 2013 Outlander Sport RVR Service Manual: Group 51 Exterior > Mark > Removal and Installation

EXTERIOR
 MARK

MARK

REMOVAL AND INSTALLATION

M1511011803806



AC904117AD

- | | | | | | |
|-------|--|---|-------|--|--|
| 1. | Front three-diamond mark (Refer to P.51-5) | >>A<< | 5. | OUTLANDER SPORT mark<Vehicles for Puerto Rico> | |
| >>A<< | 2. | Rear three-diamond mark | >>A<< | 6. | OUTLANDER SPORT mark<Vehicles for USA> |
| >>A<< | 3. | 4WD mark <AWD> | >>A<< | 7. | RVR mark<Vehicles for Canada> |
| >>A<< | 4. | MITSUBISHI mark <Vehicles for USA and Canada> | | | |

INSTALLATION SERVICE POINT

>>A<< MARK APPLICATION

1. Installation position
 Attach each mark to the position shown in the illustration.

2. Rear three-diamond mark

