



# Technical Service Bulletin

SUBJECT:			No: <b>TSB-13-42A-001</b>
<b>UPDATED KOS, TPMS, AND WCM CAUTION STATEMENTS – SERVICE MANUAL REVISION</b>			DATE: <b>January, 2013</b>
			MODEL: <b>See below</b>
CIRCULATE TO:	<input type="checkbox"/> GENERAL MANAGER	<input type="checkbox"/> PARTS MANAGER	<input checked="" type="checkbox"/> TECHNICIAN
<input checked="" type="checkbox"/> SERVICE ADVISOR	<input checked="" type="checkbox"/> SERVICE MANAGER	<input checked="" type="checkbox"/> WARRANTY PROCESSOR	<input checked="" type="checkbox"/> SALES MANAGER

## PURPOSE

Caution statements regarding the disposal of certain components using coin-type lithium batteries have been incorrect in the service manuals of affected vehicles. This TSB provides updated caution statements.

## AFFECTED VEHICLES

2007–2013 Outlander  
 2008–2013 Lancer  
 2008–2013 Lancer Evolution  
 2009–2013 Lancer Sportback  
 2011–2013 Outlander Sport/RVR

## APPLICABLE SERVICE MANUALS

2008 – 2010 Lancer Service Manual:

- Group 42B – Keyless Operation System (KOS) – Keyless Operation Key – Disassembly and Assembly
- Group 42B – Keyless Operation System (KOS) – TPMS Transmitter – Removal and Installation
- Group 42C – Wireless Control Module (WCM) – Transmitter – Disassembly and Assembly
- Group 42C – Wireless Control Module (WCM) – TPMS Transmitter – Removal and Installation

2010 Lancer Sportback Service Manual:

- Group 42B – Keyless Operation System (KOS) – Keyless Operation Key – Disassembly and Assembly
- Group 42B – Keyless Operation System (KOS) – TPMS Transmitter – Removal and Installation
- Group 42C – Wireless Control Module (WCM) – Transmitter – Disassembly and Assembly
- Group 42C – Wireless Control Module (WCM) – TPMS Transmitter – Removal and Installation

2011 – 2013 Lancer/Lancer Sportback Service Manual:

- Group 42B – Keyless Operation System (KOS) – Keyless Operation Key – Disassembly and Assembly
- Group 42B – Keyless Operation System (KOS) – TPMS Transmitter – Removal and Installation
- Group 42C – Wireless Control Module (WCM) – Transmitter – Disassembly and Assembly
- Group 42C – Wireless Control Module (WCM) – TPMS Transmitter – Removal and Installation

2008 – 2013 Lancer Evolution Service Manual:

- Group 42B – Keyless Operation System (KOS) – Keyless Operation Key – Disassembly and Assembly
- Group 42B – Keyless Operation System (KOS) – TPMS Transmitter – Removal and Installation
- Group 42C – Wireless Control Module (WCM) – Transmitter – Disassembly and Assembly
- Group 42C – Wireless Control Module (WCM) – TPMS Transmitter – Removal and Installation

Continued

Copyright 2012, Mitsubishi Motors North America, Inc.

(3945)

The information contained in this bulletin is subject to change. For the latest version of this document, go to the Mitsubishi Dealer Link, MEDIC, or the Mitsubishi Service Information website ([www.mitsubishitechinfo.com](http://www.mitsubishitechinfo.com)).

2007 –2013 Outlander Service Manual:

- Group 42B – Keyless Operation System (KOS) – Keyless Operation Key – Disassembly and Assembly
- Group 42B – Keyless Operation System (KOS) – TPMS Transmitter – Removal and Installation
- Group 42C – Wireless Control Module (WCM) – Transmitter – Disassembly and Assembly
- Group 42C – Wireless Control Module (WCM) – TPMS Transmitter – Removal and Installation

2011 – 2013 Outlander Sport/RVR Service Manual:

- Group 42B – Keyless Operation System (KOS) – Keyless Operation Key – Disassembly and Assembly
- Group 42B – Keyless Operation System (KOS) – TPMS Transmitter – Removal and Installation
- Group 42C – Wireless Control Module (WCM) – Transmitter – Disassembly and Assembly
- Group 42C – Wireless Control Module (WCM) – TPMS Transmitter – Removal and Installation

Apply this page to all Affected Service Manuals: Group 42B – Keyless Operation System (KOS) – Keyless Operation Key – Disassembly and Assembly

KEYLESS OPERATION SYSTEM (KOS)  
KEYLESS OPERATION KEY

**KEYLESS OPERATION KEY**

**DISASSEMBLY AND ASSEMBLY**

M1429604000199

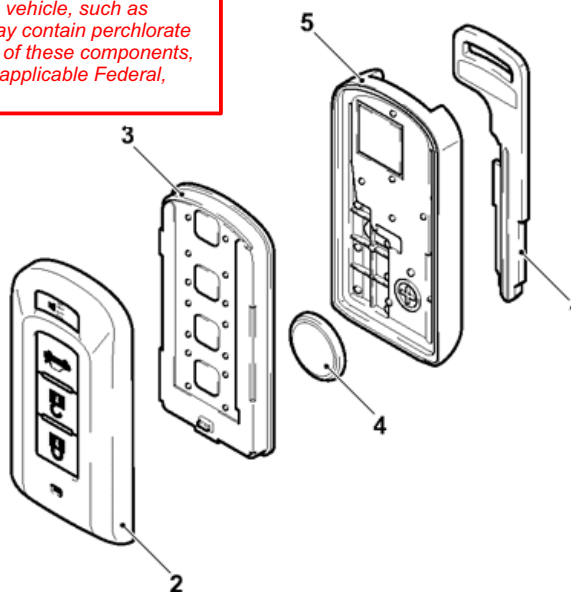
**WARNING** <Old>

~~Coin-type lithium battery may contain perchlorate materials. Special handling may apply. For additional information, see [www.dtsc.ca.gov/hazardouswaste/perchlorate](http://www.dtsc.ca.gov/hazardouswaste/perchlorate).~~

**Post-installation operation**  
Operation check of the keyless operation key

<New>

*Certain components of this vehicle, such as coin-type lithium battery may contain perchlorate materials. Before disposal of these components, review and comply with all applicable Federal, state and local regulations.*



AC609035AB

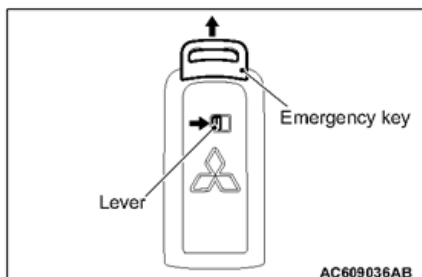
- Disassembly steps**
- <<A>> 1. Emergency key
  - <<B>> 2. Upper cover
  - <<B>> 3. Transmitter assembly

- Disassembly steps (Continued)**
- <<B>> >>A<< 4. Battery
  - <<B>> 5. Lower cover

**DISASSEMBLY SERVICE POINTS**

**<<A>> EMERGENCY KEY REMOVAL**

With the lever being pressed in the arrow direction of the illustration, pull out the emergency key from the keyless operation key and remove it.



AC609036AB

Apply this page to all Affected Service Manuals: Group 42B – Keyless Operation System (KOS) – TPMS Transmitter – Removal and Installation

KEYLESS OPERATION SYSTEM (KOS)  
TPMS TRANSMITTER

**TPMS TRANSMITTER**

**REMOVAL AND INSTALLATION**

M1429613000090

**⚠ WARNING** <Old>

~~Certain components of this vehicles, such as TPMS transmitters, may contain perchlorate materials. Special handling may apply. For additional information, see [www.dtsc.ca.gov/hazardouswaste/perchlorate](http://www.dtsc.ca.gov/hazardouswaste/perchlorate).~~

**⚠ CAUTION**

- Do not vary the angle of valve except at mounting on the rim.
- Ensure valve cap is always in place except when adjusting tire pressure.
- If the valve core and valve cap are replaced, use a genuine replacement part. The valve core is similar to a conventional one, but uses nickel plating to avoid corrosion.
- Replace the seal washer with a new one every five years or when the tire is replaced.
- Do not drop the TPMS transmitter from height greater than 1 meter (3.3 feet).
- Do not expose the TPMS transmitter to extraneous magnetic fields.
- TPMS transmitter should not be stored at temperatures above 80°C (176°F).
- TPMS transmitter should not be exposed to temperatures above 100°C (212°F).
- If the TPMS transmitter is replaced, execute "Tire Pressure Sensor ID Registration" on scan tool MB991958 "Special Function."
- Be careful not to damage the TPMS transmitter.

**Pre-removal Operation**

- Wheel and Tire Removal

**Post-Installation Operation**

- Wheel and Tire Installation
- Tire Pressure Sensor ID Registration If a new TPMS transmitter is installed (Refer to Refer to ID registration procedure manual - ID codes registration judgement table).
- After the tire pressure sensor ID registration, check that the TPMS warning light does not illuminate or flash.

<New>

*Certain components of this vehicle, such as coin-type lithium battery may contain perchlorate materials. Before disposal of these components, review and comply with all applicable Federal, state and local regulations.*

Apply this page to all Affected Service Manuals: Group 42C – Wireless Control Module (WCM) – Transmitter – Disassembly and Assembly

WIRELESS CONTROL MODULE (WCM)  
 TRANSMITTER

**TRANSMITTER**

**DISASSEMBLY AND ASSEMBLY**

M1427506100081

**⚠ WARNING**

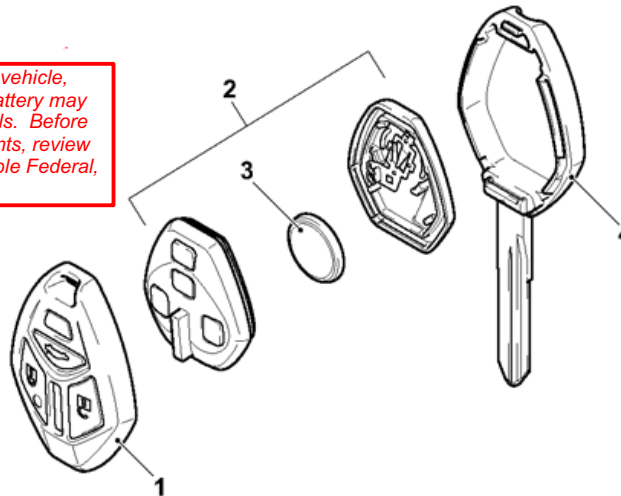
<Old>

~~Coin-type lithium battery may contain perchlorate materials. Special handling may apply. For additional information, see [www.dtsc.ca.gov/hazardouswaste/perchlorate](http://www.dtsc.ca.gov/hazardouswaste/perchlorate).~~

Post-installation operation  
 • Transmitter operation check

<New>

*Certain components of this vehicle, such as coin-type lithium battery may contain perchlorate materials. Before disposal of these components, review and comply with all applicable Federal, state and local regulations.*



AC405679AC

- <<A>>
- Disassembly steps**
1. Upper cover
  2. Transmitter assembly

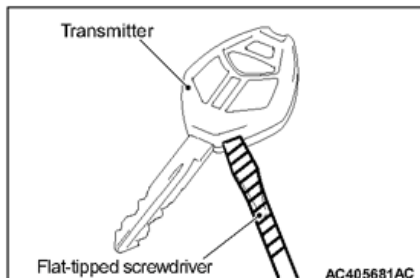
- <<B>> >>A<<
- Disassembly steps (Continued)**
3. Battery
  4. Master key

**DISASSEMBLY SERVICE POINTS**

**<<A>> UPPER COVER REMOVAL**

**⚠ CAUTION**

To prevent damage to the transmitter, wrap a flat-tipped screwdriver with protective tape before prying. Insert a flat-tipped screwdriver in the area shown, and remove the upper cover by prying it with the screwdriver.



AC405681AC

Apply this page to all Affected Service Manuals: Group 42C – Wireless Control Module (WCM) – TPMS Transmitter – Removal and Installation

WIRELESS CONTROL MODULE (WCM)  
TPMS TRANSMITTER

**TPMS TRANSMITTER**

**REMOVAL AND INSTALLATION**

M1427509300073

**⚠ WARNING**

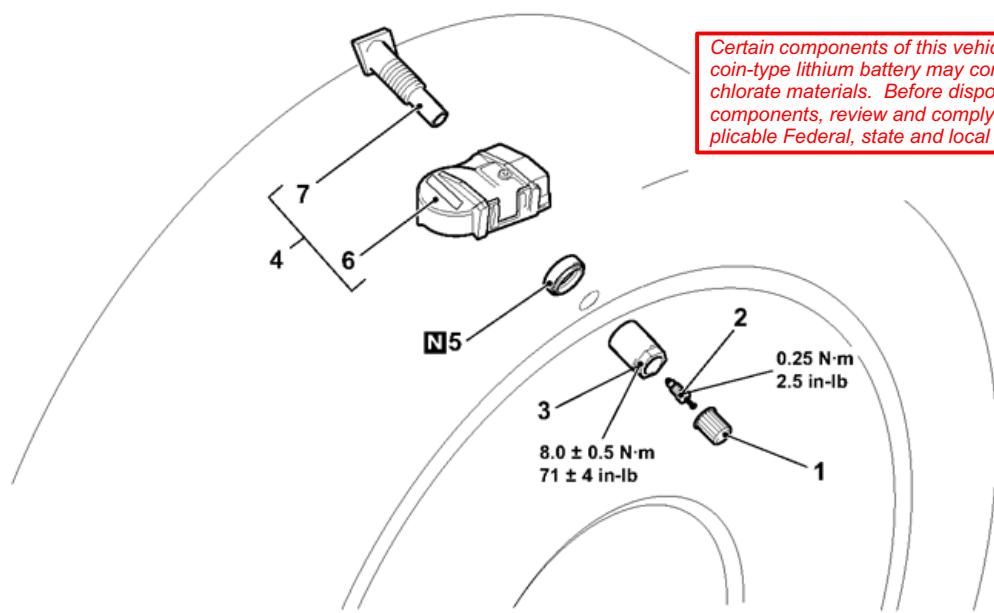
<Old>

~~Certain components of this vehicles, such as TPMS transmitters, may contain perchlorate materials. Special handling may apply. For additional information, see [www.dtsc.ca.gov/hazardouswaste/perchlorate](http://www.dtsc.ca.gov/hazardouswaste/perchlorate).~~

**⚠ CAUTION**

- Ensure valve cap is always in place except when adjusting tire pressure.
- If the valve core and valve cap are replaced, use a genuine replacement part. The valve core is similar to a conventional one, but uses nickel plating to avoid corrosion.
- Replace the seal washer with a new one when the tire is replaced.
- Do not drop the TPMS transmitter from height greater than 1 meter (3.3 feet).
- Do not expose the TPMS transmitter to extraneous magnetic fields.
- TPMS transmitter should not be stored at temperatures above 80°C (176°F).
- TPMS transmitter should not be exposed to temperatures above 100°C (212°F).
- If the TPMS transmitter is replaced, execute "Tire Pressure Sensor ID Registration" on scan tool MB991958 "Special Function."
- Be careful not to damage the TPMS transmitter.

<p><b>Pre-removal Operation</b></p> <ul style="list-style-type: none"> <li>• Wheel and Tire Removal</li> </ul>	<p><b>Post-Installation Operation</b></p> <ul style="list-style-type: none"> <li>• Wheel and Tire Installation</li> <li>• Tire Pressure Sensor ID Registration If a new TPMS transmitter is installed (Refer to ID registration procedure manual - ID codes registration judgement table).</li> <li>• After the tire pressure sensor ID registration, check that the TPMS warning light does not illuminate or flash.</li> </ul>
--	--



<New>

*Certain components of this vehicle, such as coin-type lithium battery may contain perchlorate materials. Before disposal of these components, review and comply with all applicable Federal, state and local regulations.*