



# Technical Service Bulletin

SUBJECT:			No: <b>TSB-13-34-001</b>
<b>REAR TRAILING ARM BUSHING SPECIAL TOOLS - SERVICE MANUAL REVISION</b>			DATE: <b>January, 2013</b>
			MODEL: <b>2013 Outlander Sport</b>
CIRCULATE TO:	<input type="checkbox"/> GENERAL MANAGER	<input type="checkbox"/> PARTS MANAGER	<input type="checkbox"/> TECHNICIAN
<input type="checkbox"/> SERVICE ADVISOR	<input type="checkbox"/> SERVICE MANAGER	<input type="checkbox"/> WARRANTY PROCESSOR	<input type="checkbox"/> SALES MANAGER

## PURPOSE

This TSB updates rear suspension special tool information in the applicable service manual.

## AFFECTED VEHICLES

2013 Outlander Sport/RVR

## AFFECTED SERVICE MANUALS

2013 Outlander Sport/RVR Group 34: Rear Suspension  
Special Tools  
Trailing Arm Assembly > Trailing Arm Bushing Replacement





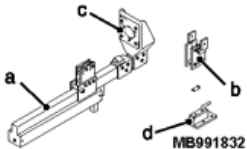
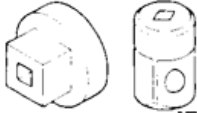
Continued

Copyright 2013, Mitsubishi Motors North America, Inc.

(3956)

The information contained in this bulletin is subject to change. For the latest version of this document, go to the Mitsubishi Dealer Link, MEDIC, or the Mitsubishi Service Information website ([www.mitsubishitechinfo.com](http://www.mitsubishitechinfo.com)).

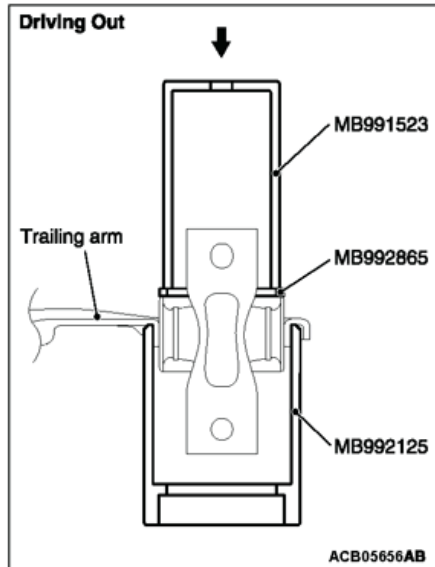
Replace the indicated information in 2013 Outlander Sport/RVR Group 34: Rear Suspension Special Tools

Tool	Tool number and name	Supersession	Application
	MB991523 Remover base	-	Trailing arm bushing removal and press-fit
 MB990890	MB990890 Rear suspension bushing base	General service tool <Added>	
 MB992125	MB992125 Arm bushing base	-	
 B992865	MB992005 Spacer base	Spacer base <Added>	
 MB991832	MB991832 Spring compressor set a: MB991793 Spring compressor assembly b: MB991796 Attachment B c: MB991794 Upper plate d: MB991830 Fixture	General service tool	Rear coil spring compression
 MB990326	MB990326 Preload socket	General service tool	Stabilizer link ball joint rotation torque measurement

Replace the indicated information in 2013 Outlander Sport/RVR Group 34: Trailing Arm Assembly > Trailing Arm Bushing Replacement

### TRAILING ARM BUSHING REPLACEMENT

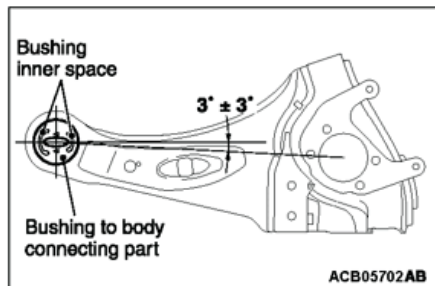
M1341011300704



1. Use the following special tools to remove the trailing arm bushing:

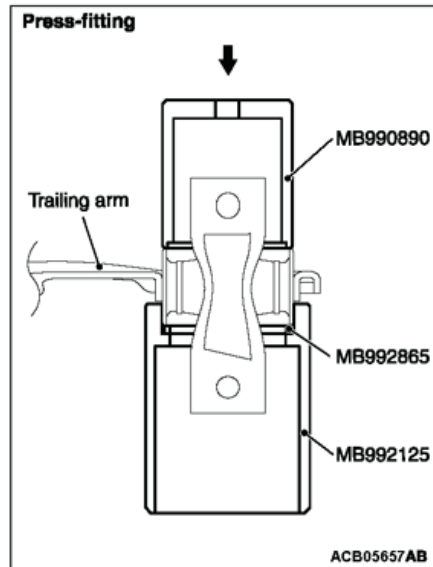
- ~~Arm bushing remover and installer (MB992123)~~
- Spacer base (MB992865)
- Arm bushing base (MB992125)

<Incorrect>



2. Determine the installation direction and the installation position of the trailing arm bushing.

- (1) Install so that the protruding side of the trailing arm bushing inner pipe faces inside the body.
- (2) Position horizontally the trailing arm bushing to body connecting part, and locate bushing inner space as shown in the figure.



3. Use the following special tools to press-fit the trailing arm bushing up to the position shown in the figure:

- Arm bushing remover and installer (MB990890)
- Spacer base (MB992865)
- Arm bushing base (MB992125)

• Remove base (MB991523)

<Correct>