



Countries:	CANADA, UNITED STATES	Document ID:	IK1600177
Availability:	ISIS, FleetISIS	Revision:	0
Major System:	CAB / SLEEPER / HOOD	Created:	2/28/2013
Current Language:	English	Last Modified:	2/28/2013
Other Languages:	NONE	Author:	Patrick Gotschall
Viewed:	63		

[Less Info](#)

Hide Details

Coding Information

Copy Link	Copy Relative Link	Bookmark	Add to Favorites	Print	Provide Feedback	Helpful	Not Helpful
		 View My Bookmarks				 1	 1

Title: SkyRise Roof Replacement

Applies To: ProStar Skyrise

DESCRIPTION

The SkyRise roof has recently been updated to include windows. It is possible for a roof to be damaged in service but since the old roof is no longer available, some modifications are required when replacing an old roof with a new roof. Some parts can be carried over from the old roof (assuming they are not damaged), however due to changes in the roof, some new components will be required as well.

When doing a roof replacement, the following new parts will be required:

Roof shell			
	PN#	Description	QTY
	6104488C94	Roof Assembly	1
Windows			
	PN#	Description	QTY
	2510804C91	KIT, WINDOW, ASM, VENT RH W/ S	1
	2510802C91	KIT, WINDOW, ASM, VENT LH W/ S	1
	6105678C3	SHIELD , THERMAL	2
	6105682C2	WINDOW,VENT , KNOB	2
Soft trim			
	PN#	Description	QTY
	3599184C92	LIGHT ACCENT ROOF	2
	3600871C2	BRACE HDLNR DOME LIGHT	2
	3620296C1	FSTNR CHRSTMS TREE 20.5MM GRAY	3

	3954479C92	KIT , INSULATION HEADLINER, SK	1
	3946796C91	LINING,HEAD ROOF TRIM , ASSY,	1
	3946797C91	LINING,HEAD ROOF TRIM ,	1
	3674238C1	FASTENER CHRISTMAS TREE	6
	3825654C1	PAD INST PANEL	1
	3825656C1	PAD INST PANEL	1
	3946794C91	LINING,HEAD ROOF TRIM , ASSY,	1
	3946795C91	LINING,HEAD ROOF TRIM , ASSY,	1
	3600228C3	FASTNR CHRSTMS TREE 10MM LIT N	26
Hard trim			
	PN#	Description	QTY
	6105118C1	BEZEL,TRIM,WINDOW BEZEL W/CLIP	1
	6105119C1	BEZEL,TRIM ,	1
T-Rail corner assemblies			
	PN#	Description	QTY
	6105136C1	COVER , T-RAIL, L CORNER ASSEM	1
	6105137C1	COVER , T-RAIL-R CORNER ASSEMB	1
	3598230C2	GRILLE ASSY A/C MED NEUTRAL	2
	3621471C1	GASKET,AIR COND ADPT OR DUCT,	2
	3598894C2	LAMP SWIVEL READING MED NEUTRL	1
	26508R1	SCREW,TAPPING #8-18 X 1	2
HVAC ducts			
	PN#	Description	QTY
	6105046C1	DUCT, SLEEPER UPPER LH	1
	6105047C1	DUCT, SLEEPER UPPER RH	1

Additionally, a back panel is required and can be chosen from these two options depending on the configuration of the vehicle in question:

Back panel			
	PN#	Description	
	3946799C91	PANEL, SLPR UPPER BACK W/O FAN ASSY	
	3958036C91	PANEL, SLPR UPPER BACK W/ FAN ASSY	

If the vehicle is equipped with a satellite antenna, a bracket must be ordered from the following options:

Antenna bracket		
	PN#	Description
	6109832C1	Peoplenet (reuse mounting plate)
	6104599C2	Qualcomm for US Market
	6109833C1	Qualcomm for MEXICO Market

Any remaining interior components such as headliners, insulation, etc. can be transferred over directly with the following exceptions.

1. Cabinets should be modified to provide clearance to the roof reinforcement.

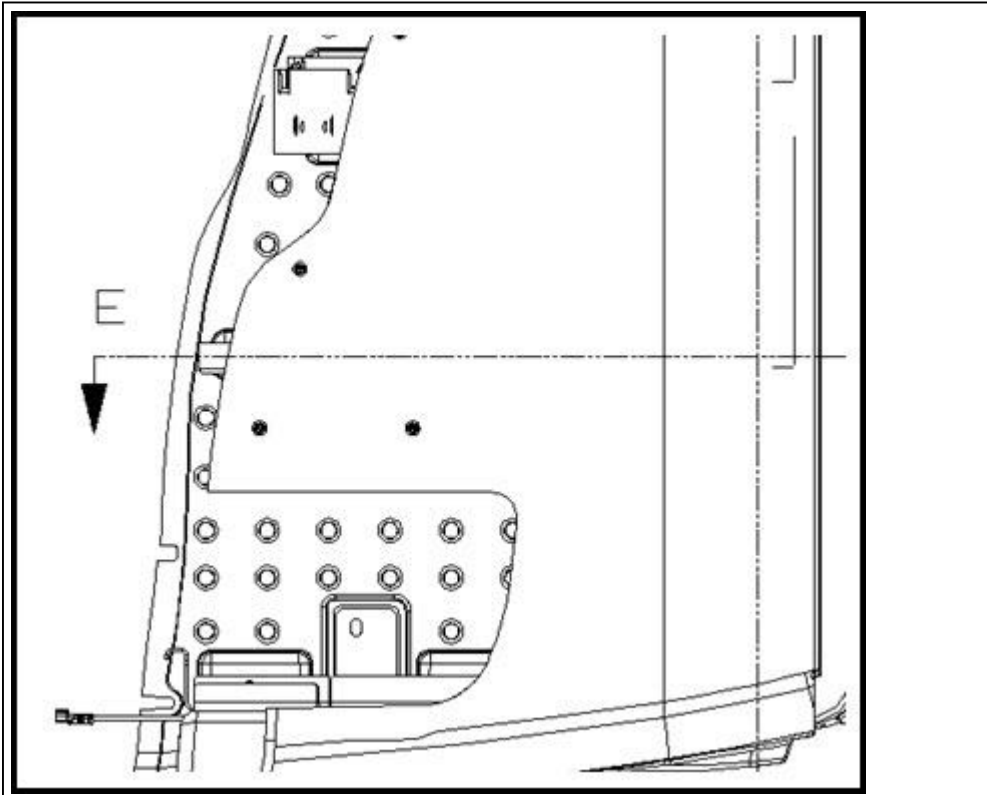


Figure 1: Old Notch

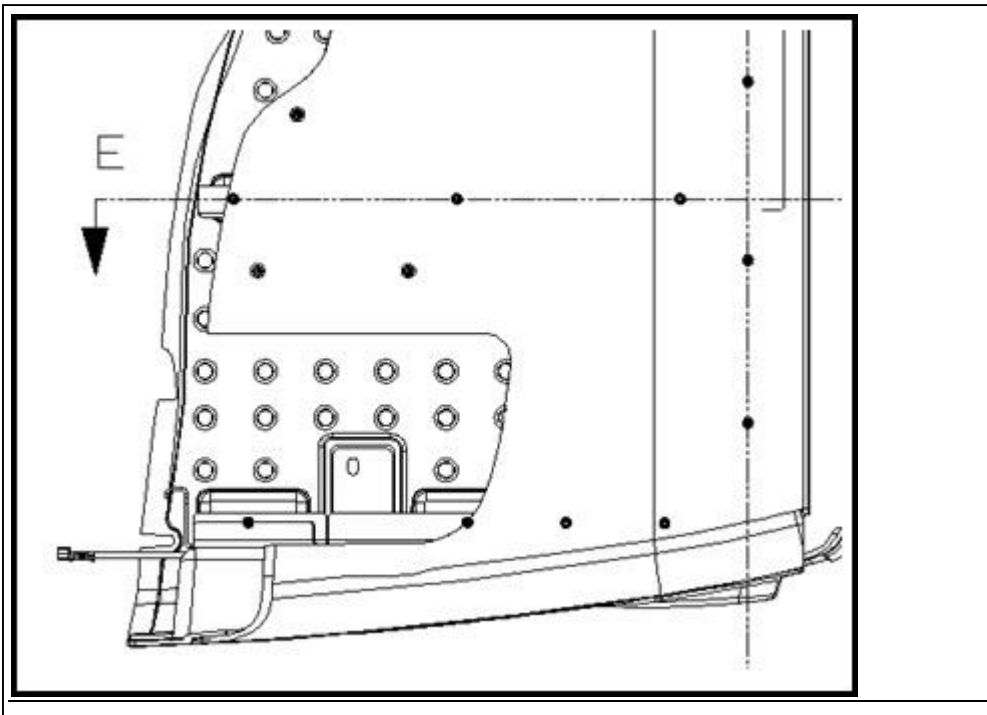
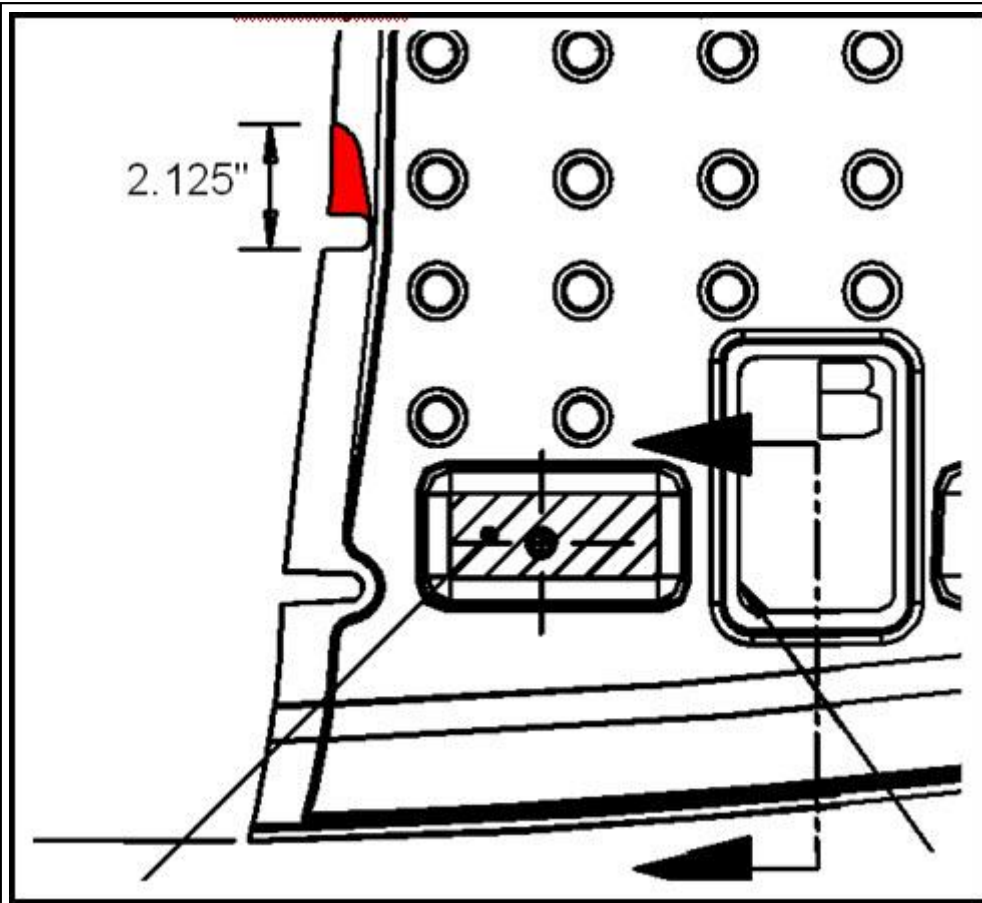


Figure 2: New Notch**Figure 3:** New notch overlayed over old notch (red area should be removed).

2. Upper bunk mounting brackets should be inverted during installation, meaning all 4 brackets should be rotated 180 degrees when installed into the new roof.



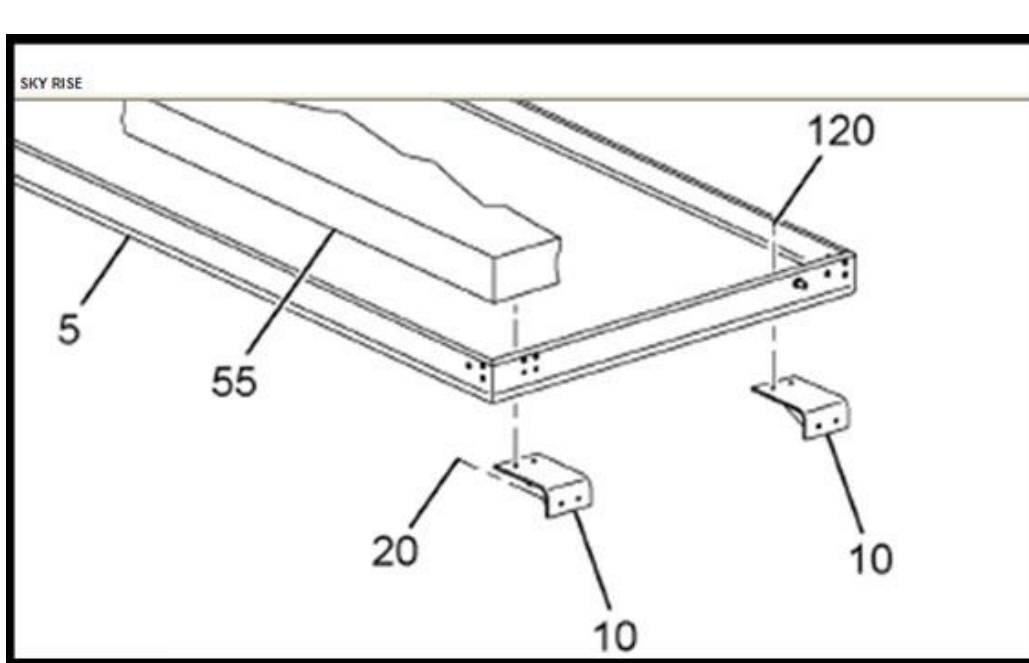


Figure 4: Old Bracket Orientation

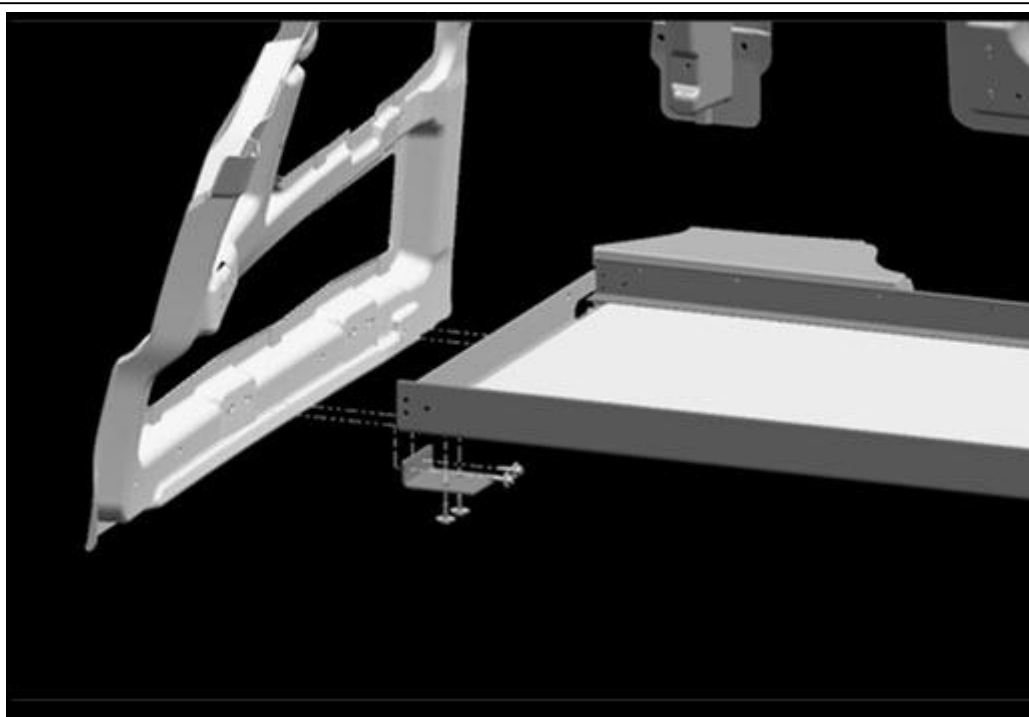


Figure 5: New Bracket Orientation

 Hide Details

Feedback Information

Viewed: 62

Helpful: 1

Not Helpful: 1

No Feedback Found

Copyright © 2013 Navistar, Inc.