



Countries: CANADA, UNITED STATES **Document ID:** IK1600096
Availability: ISIS, Bus ISIS, FleetISIS, Body Builder **Revision:** 2
Major System: CAB / SLEEPER / HOOD **Created:** 6/26/2008
Current Language: English **Last Modified:** 3/5/2013
Other Languages: [Français](#), [Español](#), **Author:**
Viewed: 709

[Less Info](#)

[Hide Details](#)

Coding Information

Copy Link 	Copy Relative Link 	Bookmark View My Bookmarks	Add to Favorites 	Print 	Provide Feedback 	Helpful 84	Not Helpful 97
----------------------	-------------------------------	--	-----------------------------	------------------	-----------------------------	--------------------------	------------------------------

Title: CF CityStar front cab mount bushings

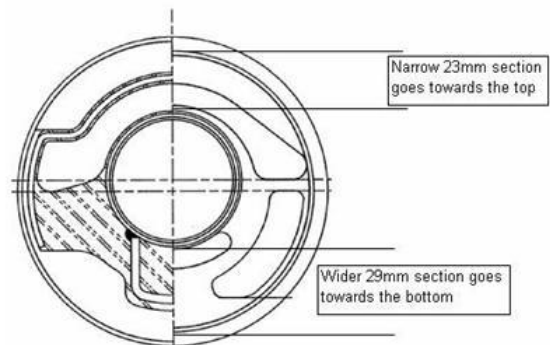
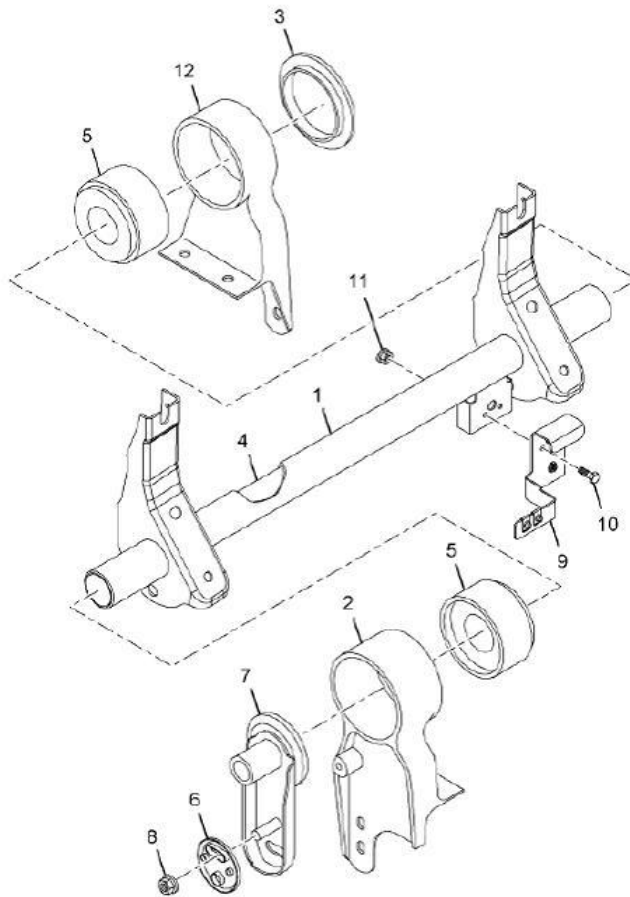
Applies To: CF500, CF600, CityStar

CF CityStar front cab mount bushings

Refer to cab [service manual cab removal](#) section for instructions on raising and supporting the cab. The tension in the torsion bars should be released when cab is raised and supported as per the manual.

If you are replacing these bushings due to a rattle or noise concern, please note that a minimal amount of movement in these bushings is normal and most likely not the cause of your rattle or noise. Refer to iKnow article [ik1600077](#) for a possible cause of noise or rattle.

If you do replace the bushings, use the drawing below to aid in the assembly process.



Bushing orientation (item 5)

The bushings (part# 6020243c1) are the same for the left or right hand side but they must be installed in the proper orientation to insure proper operation (see above). These replaceable bushings are pressed into their castings (item 2 & 12).

Hide Details

Feedback Information

Viewed: 708
Helpful: 84
Not Helpful: 97

No Feedback Found

Copyright © 2013 Navistar, Inc.