



Countries:	CANADA, UNITED STATES	Document ID:	IK1200930
Availability:		Revision:	1
Major System:	ENGINES	Created:	7/16/2013
Current Language:	English	Last Modified:	8/26/2013
Other Languages:	NONE	Author:	Keith Kierzek
Viewed:	140		

[Less Info](#)

Hide Details

Coding Information

Copy Link 	Copy Relative Link 	Bookmark View My Bookmarks	Add to Favorites 	Print 	Provide Feedback 	Helpful 1	Not Helpful 0
----------------------	-------------------------------	--	-----------------------------	------------------	-----------------------------	-------------------------	-----------------------------

Title: EPA 2010 MaxxFORce DT, 9 and 10 Breather Replacement Strategy

Applies To: EPA 2010 MaxxFORce DT, 9, and 10 Engines

DESCRIPTION

Breathers with part number 7092631C** should no longer be serviced as an entire assembly. When attempting to service the breather, locate the part number as shown in the repair procedure below.

- 1.) Breathers with part number 7092631C** should use service kit 1886472C** for the *top half* breather assembly replacement.
- 2.) Breathers with part number 1889632C** should use service kit 7093618C** for the *entire* breather assembly replacement.
- 3.) Breathers with part number 1880560C** should use service kit 7093619C** for the *entire* breather assembly replacement.

PARTS INFORMATION

Breather Part #	Action	Service Kit	Description
7092631C**	Use top half kit	1886472C**	KIT, BREATHER ASSY TOP HALF
1889632C**	Use entire assembly kit	7093618C**	KIT, BREATHER W/TURBINE
1880560C**	Use entire assembly kit	7093619C**	KIT, DIE CAST BREATHER

REPAIR PROCEDURE

Locate the part numbers on the breather while on the vehicle as shown in Figure 1 below.

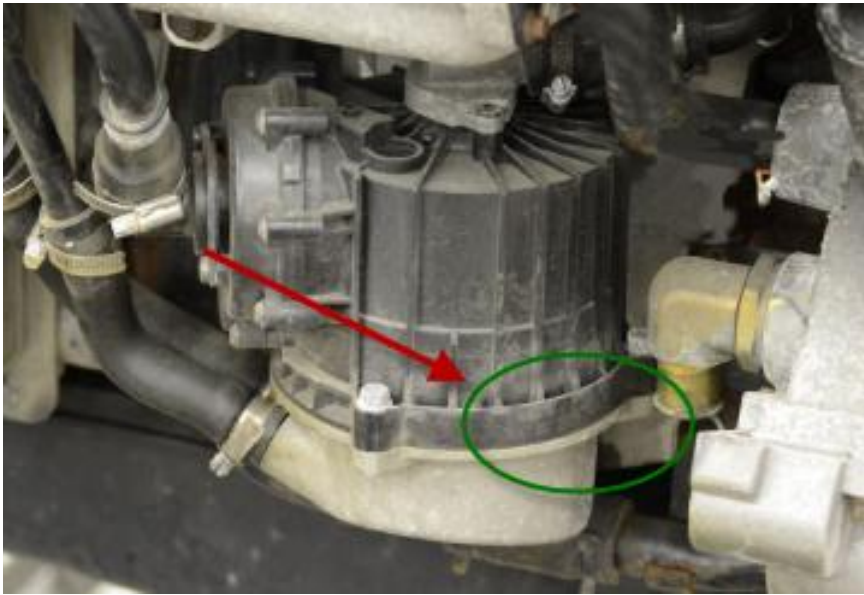


FIGURE 1: Crankcase Breather Orientation on Vehicle

Locate the Navistar part number in the area "Marked with Customer Part No." as shown in Figure 2 below.

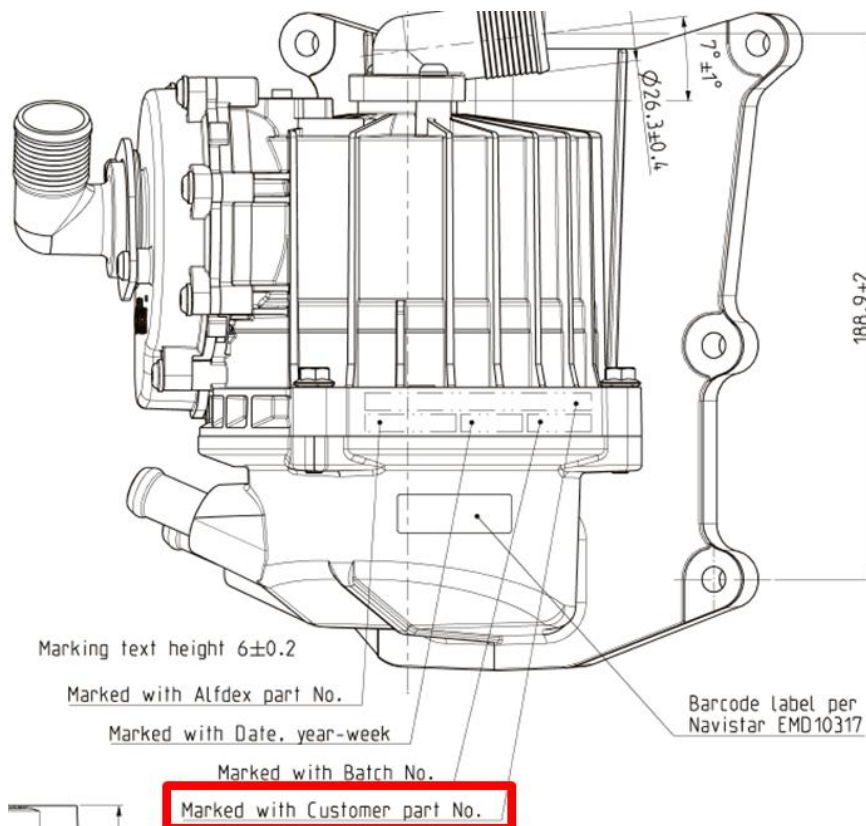


FIGURE 2: Navistar Part Number Location

Replace service kit accordingly:

- 1.) Replace breathers with part number 7092631C** using service kit 1886472C** for the *top half* breather assembly replacement.
- 2.) Breathers with part number 1889632C** should use service kit 7093618C** for the *entire* breather

assembly replacement.

3.) Breathers with part number 1880560C** should use service kit 7093619C** for the *entire* breather assembly replacement.

For instructions on how to replace the crankcase breather assembly, refer to Crankcase, Crankshaft, and Camshaft section of the 2010 MaxxForce® DT, 9, and 10 Engine Service Manual (EDES 450).

OTHER RESOURCES

[2010 MaxxForce® DT, 9, and 10 Engine Service Manual](#)

 Hide Details

Feedback Information

Viewed: 139

Helpful: 1

Not Helpful: 0

No Feedback Found

Copyright © 2013 Navistar, Inc.