

1 1 44-13



Service Information Bulletin

SUBJECT	DATE
Removal and Installation of the GHG14 Diesel Exhaust Fluid Lines	January 2013

Additions, Revisions, or Updates

Publication Number / Title	Platform	Section Title	Change
DDC-SVC-MAN-0083	GHG14 DD Platform	Removal of the GHG14 Diesel Exhaust Fluid Lines	Updated procedures; additional artwork showing component locations.
		Installation of the GHG14 Diesel Exhaust Fluid Lines	



13400 Outer Drive, West, Detroit, Michigan 48239-4001
 Telephone: 313-592-5000
www.demanddetroit.com

2 Removal of the GHG14 Diesel Exhaust Fluid Lines

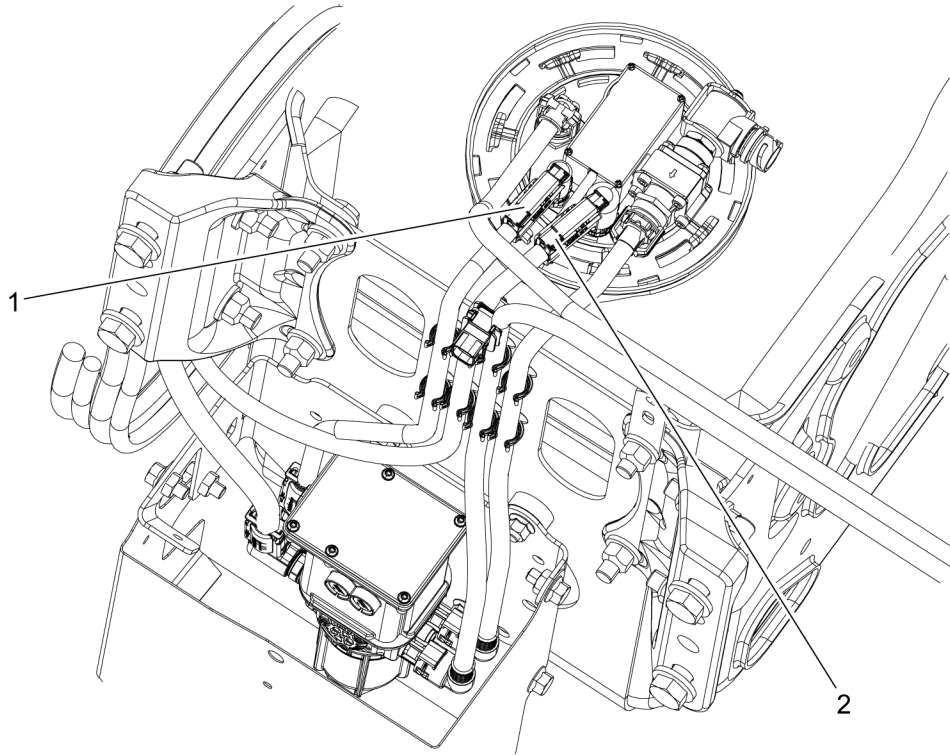
Remove as follows:

NOTICE: Discard contaminated Diesel Exhaust Fluid (DEF) and coolant in accordance with Environmental Protection Agency (EPA) regulations.

1. Shut off engine, apply the parking brake and chock the wheels.
2. Disconnect the batteries.
3. Place drain pans underneath the DEF pump to catch any draining fluids.

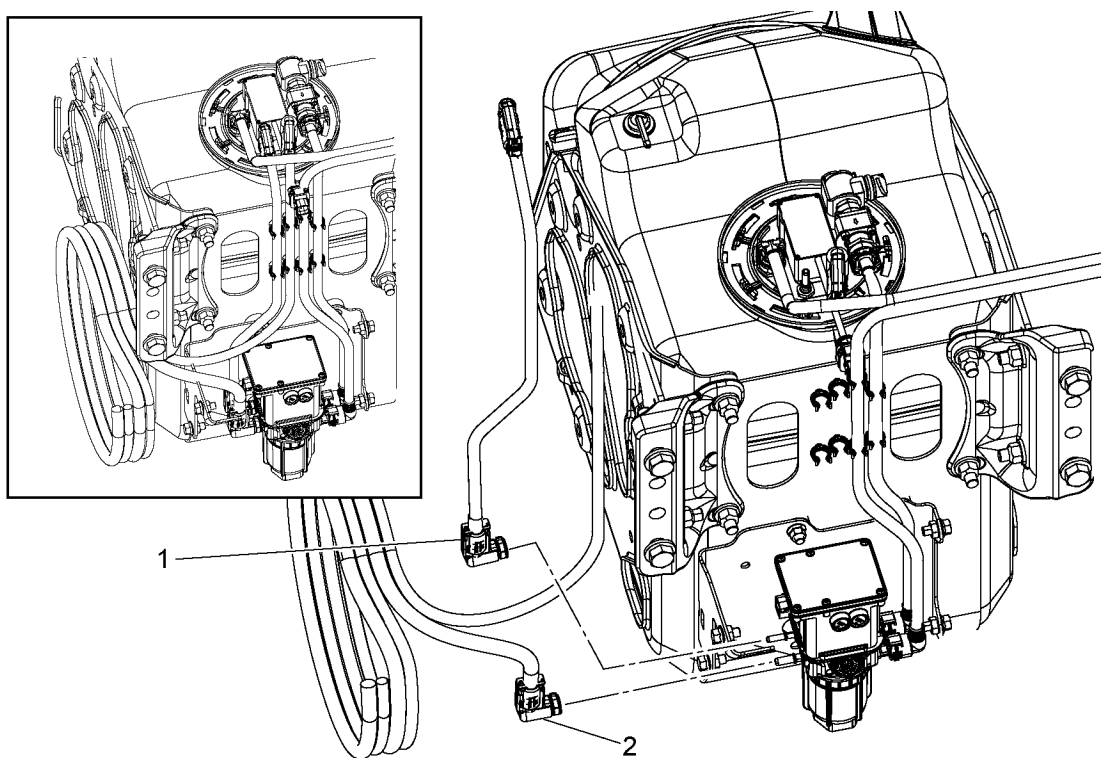
NOTICE: To disconnect a DEF line, push the line coupling in towards the male connector to move the holding clip to the unlocked position, then compress the prongs of the holding clip and pull the line off of the male connector. Failure to properly remove a DEF line can result in damage to a line coupling or DEF port.

4. Disconnect the DEF line heater wiring harnesses at the tank and the pump.
5. Disconnect the DEF suction line (1) and the DEF return line (2) at the DEF tank header.



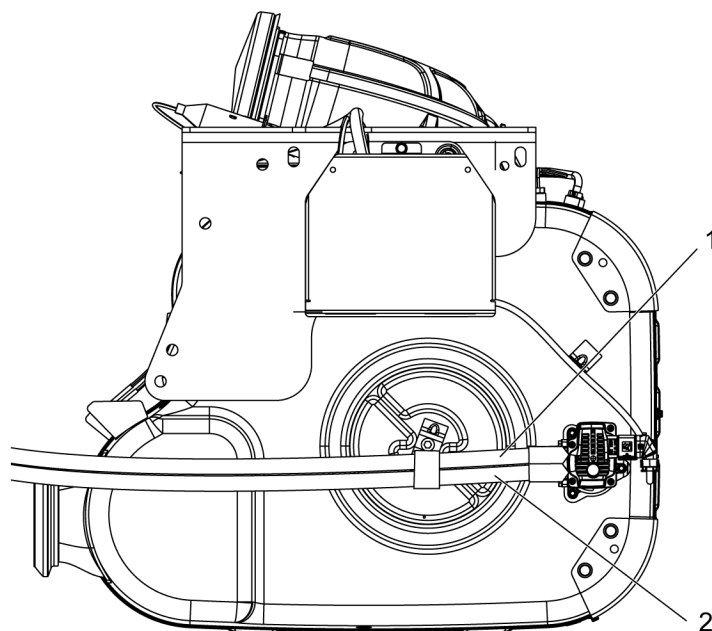
d140382d

6. Disconnect the DEF suction line (1) and the DEF pressure line (2) at the DEF pump.



d140223b

7. Disconnect the DEF pressure line (1) and the DEF return line (2) at the DEF dosing unit.



d140414a

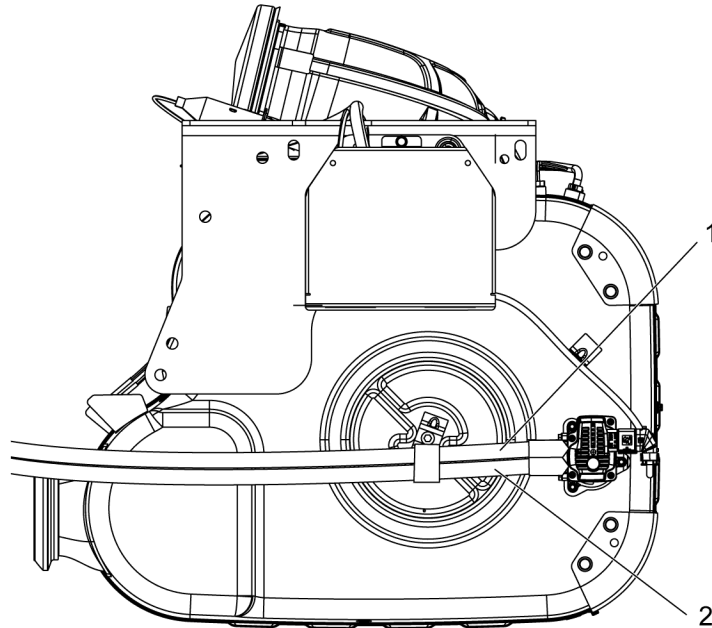
8. Remove all DEF line clipping points.

3 Installation of the GHG14 Diesel Exhaust Fluid Lines

Install as follows:

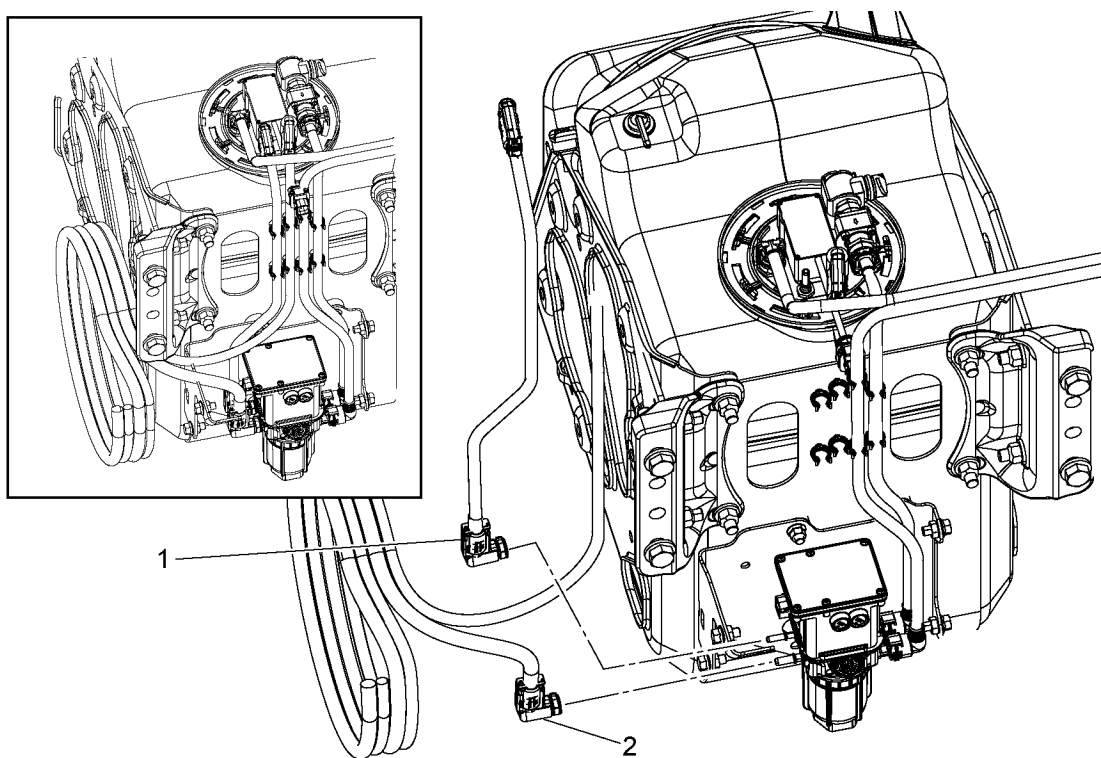
NOTICE: To connect a Diesel Exhaust Fluid (DEF) line, push the line coupling onto the DEF port male connector, then pull back gently on the coupling to engage the holding clip in the locked position.

1. Ensure the new DEF lines are undamaged and free of dirt and debris.
2. Remove any white DEF crystals from the DEF ports on the tank header, DEF pump, and dosing unit.
3. Connect the new DEF pressure line (1) and the new DEF return line (2) to the DEF dosing unit.



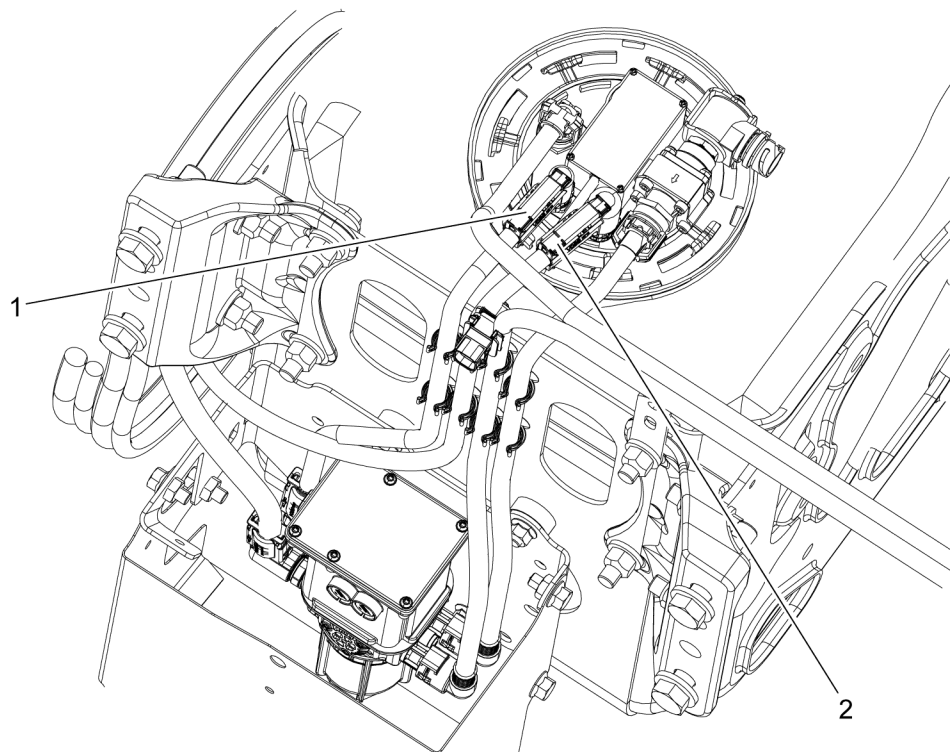
d140414a

4. Connect the DEF suction line (1) and the DEF pressure line (2) to the DEF pump.



d140223b

5. Connect the DEF suction line (1) and the DEF return line (2) to the DEF tank header.



d140382d

6. Connect the DEF line heater wiring harnesses at the tank and DEF pump.
7. Install all removed DEF line clipping points, making sure the DEF lines are properly secure.
8. Connect the batteries.
9. Connect to DDDL/DDRS 7.08-SP2 or newer.
10. Run an SCR ADS self-check routine to prime the system and check for leaks.