



Countries:	CANADA, UNITED STATES	Document ID:	IK1600177
Availability:	ISIS, FleetISIS	Revision:	3
Major System:	CAB / SLEEPER / HOOD	Created:	2/28/2013
Current Language:	English	Last Modified:	11/4/2013
Other Languages:	NONE	Author:	Patrick Gotschall
Viewed:	444		

[Less Info](#)

Hide Details

Coding Information

Copy Link 	Copy Relative Link 	Bookmark View My Bookmarks	Add to Favorites 	Print 	Provide Feedback 	Helpful 8	Not Helpful 2
----------------------	-------------------------------	--	-----------------------------	------------------	-----------------------------	-------------------------	-----------------------------

Title: SkyRise Roof Replacement

Applies To: ProStar Skyrise

DESCRIPTION

The SkyRise roof has recently been updated to include windows. It is possible for a roof to be damaged in service but since the old roof is no longer available, some modifications are required when replacing an old roof with a new roof. Some parts can be carried over from the old roof (assuming they are not damaged), however due to changes in the roof, some new components will be required as well.

When doing a roof replacement, the following new parts will be required:

Roof shell			
	PN#	Description	QTY
	6104488C94	ROOF ASSEMBLY	1
Trim and Components			
	PN#	Description	QTY
	2511145C92	KIT, SKYRISE ROOF, PROSTAR	1

Any remaining interior components that are not included in kit 2511145C92 (such as headliners, insulation, etc.) can be transferred over directly with the following exception:

Cabinets should be modified to provide clearance to the roof reinforcement.



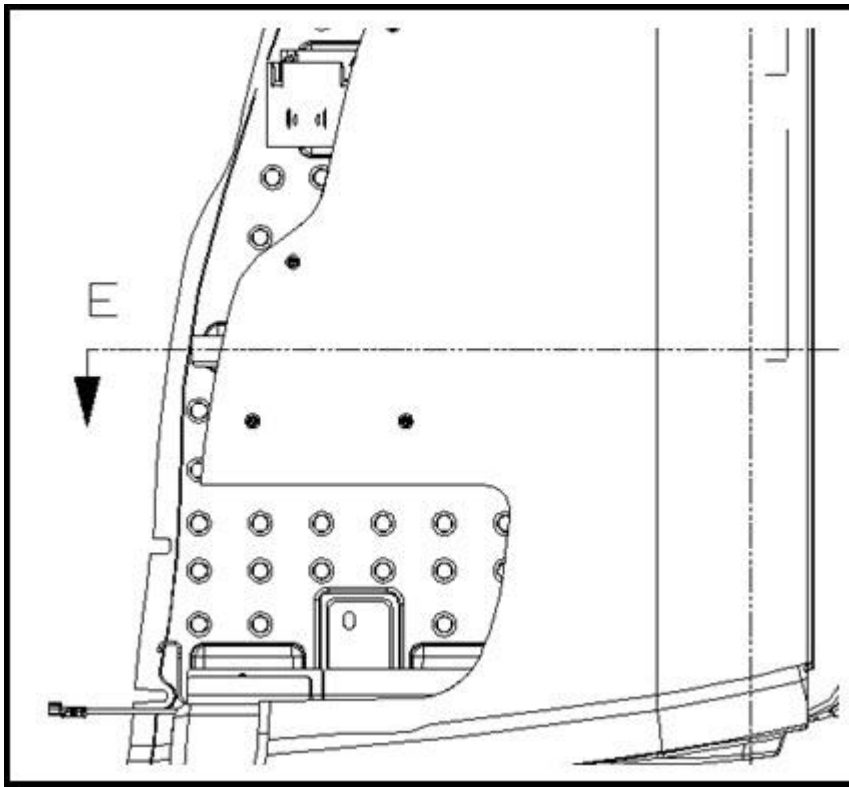


Figure 1: Old Notch

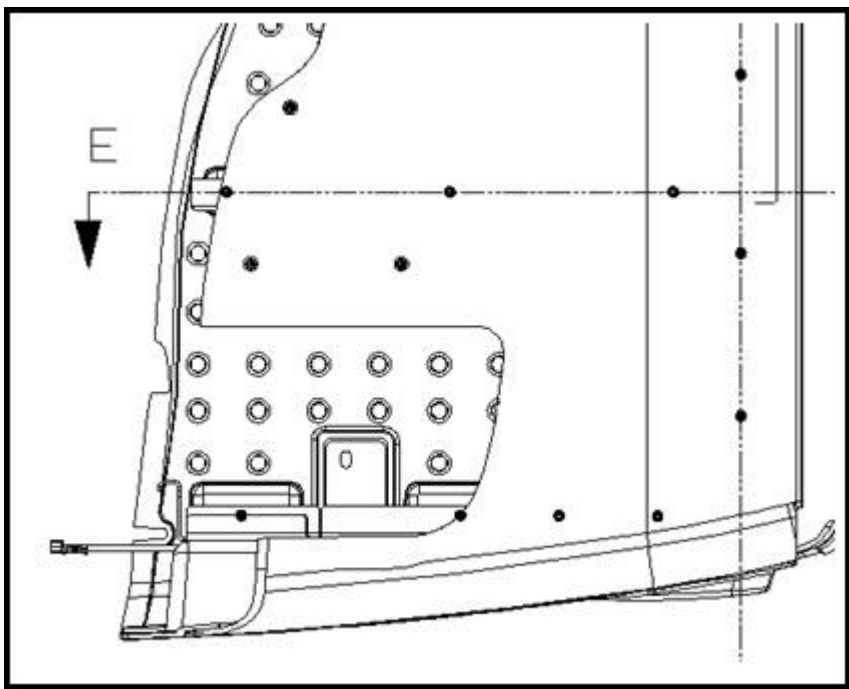


Figure 2: New Notch

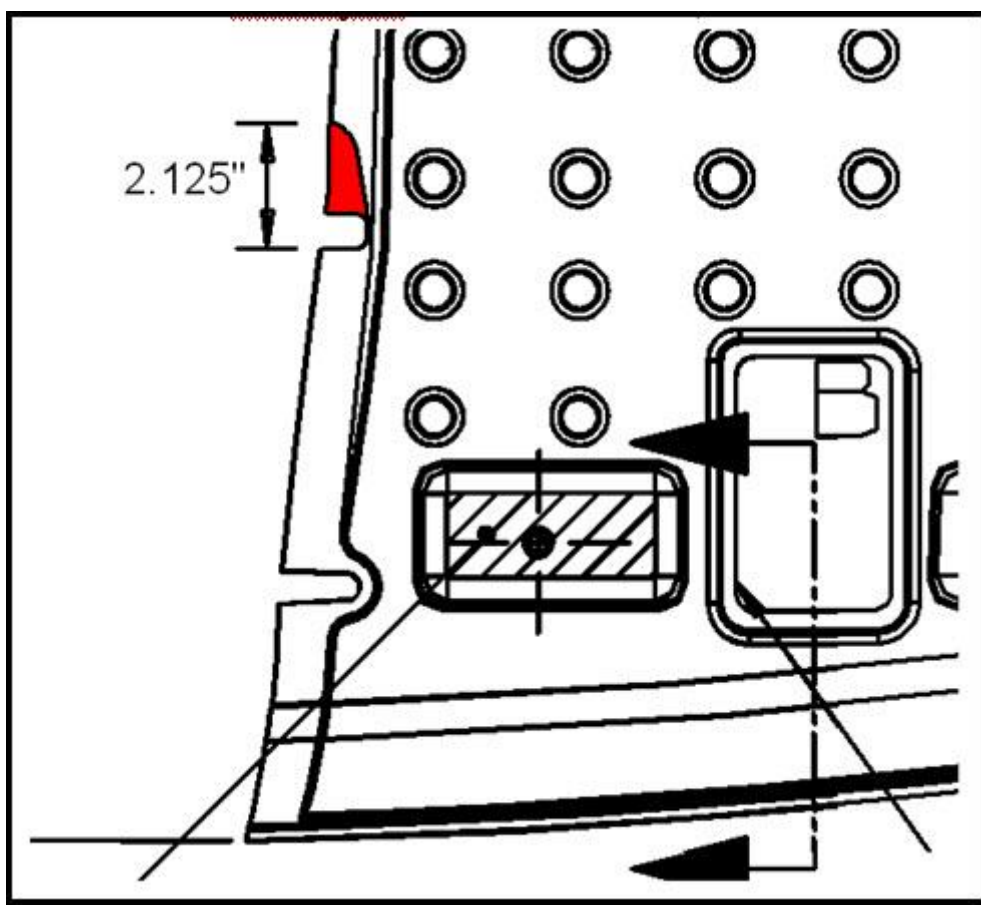


Figure 3: New notch overlaid over old notch (red area should be removed).

 Hide Details

Feedback Information

Viewed: 443

Helpful: 8

Not Helpful: 2

No Feedback Found