



Countries: CANADA, UNITED STATES Document ID: IK0800201
 Availability: ISIS, FleetSIS Revision: 5
 Major System: ELECTRICAL SYSTEM Created: 10/26/2009
 Current Language: English Last Modified: 11/13/2013
 Other Languages: Français, Español, Author:
 Viewed: 1379

Less Info

Hide Details

Coding Information

Copy Link	Copy Relative Link	Bookmark	Add to Favorites	Print	Provide Feedback	Helpful	Not Helpful
		View My Bookmarks				250	169

Title: Disable Cummins Icon

Applies To: All Cummins powered units with Icon installed.

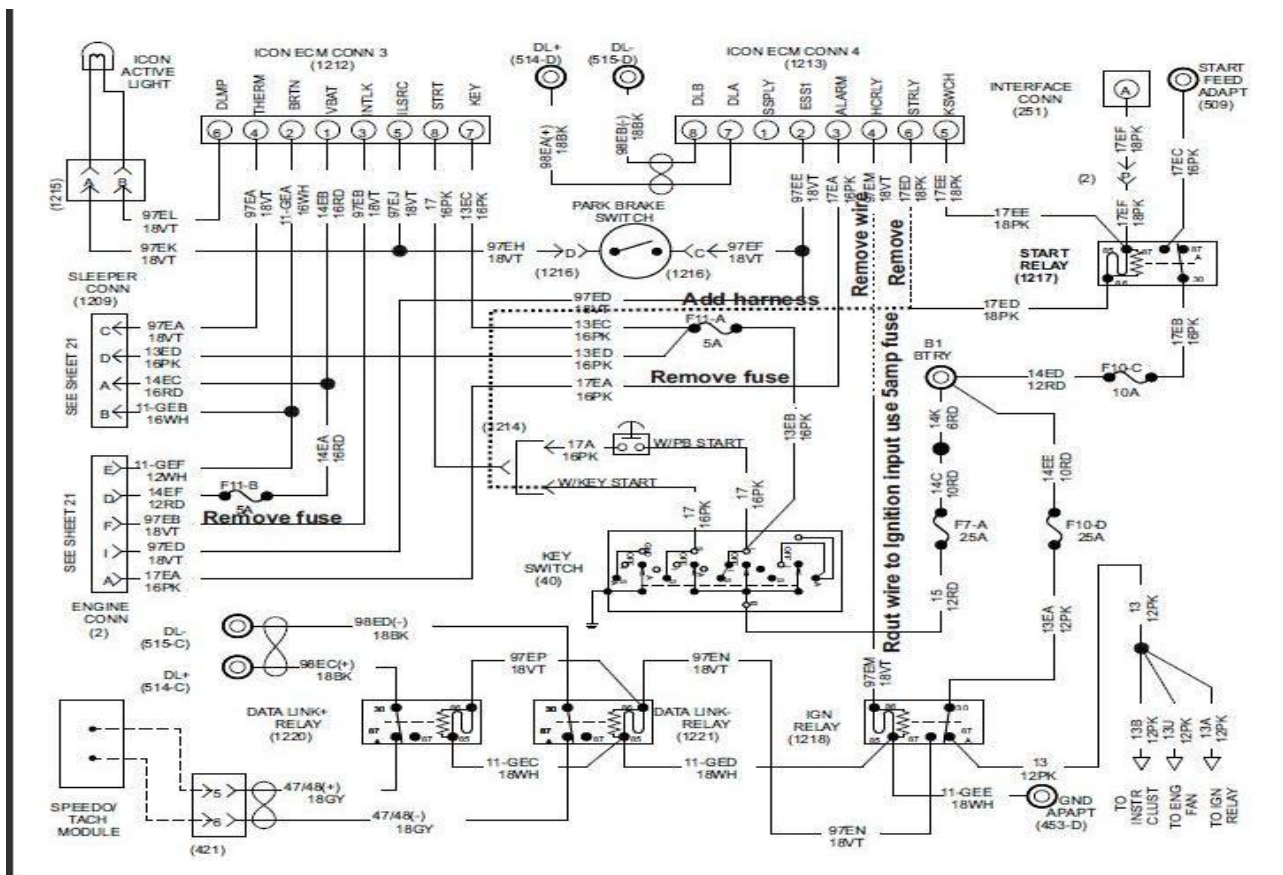
DESCRIPTION

Customer or dealer wishes to disable ICON system

RESOLUTION or SERVICE PROCEDURE

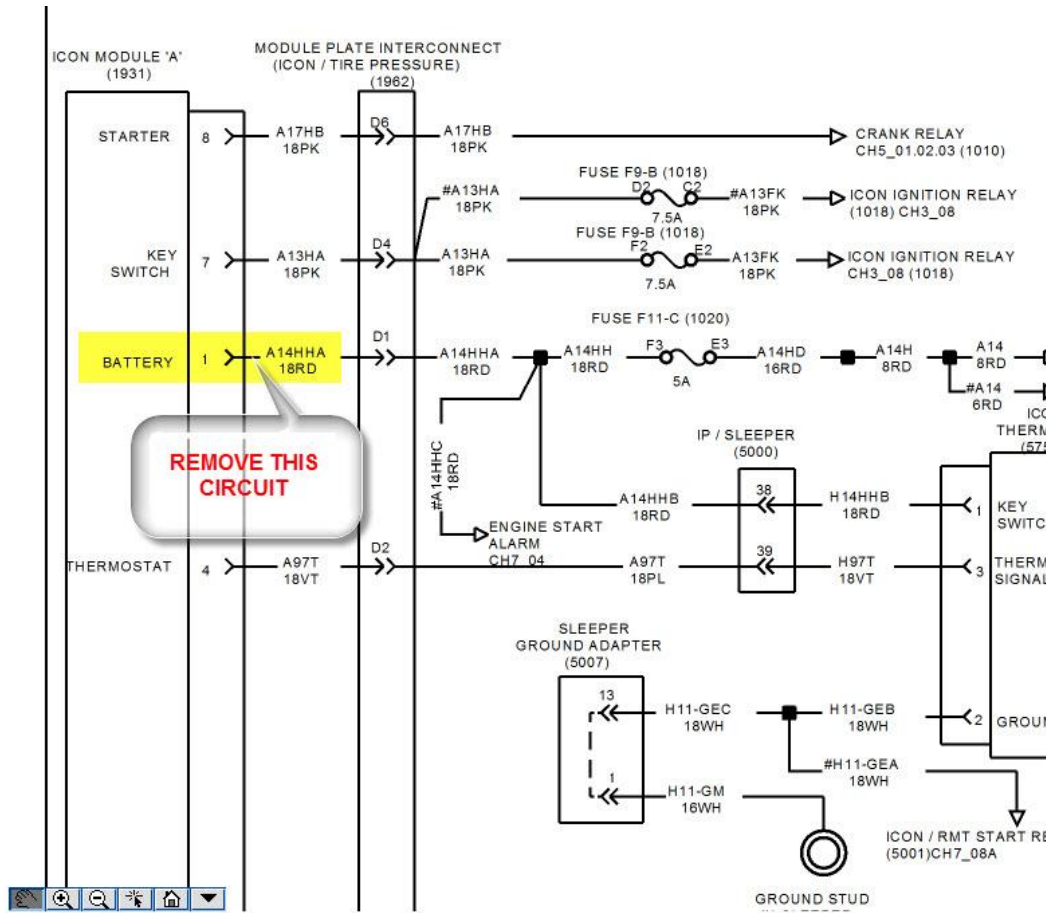
For 9000i Series:

1. Remove wire 17ED at the Icon module pin 6 and splice to 17 key switch power
2. Remove wire 97EM from Icon module and route to key switch power. Protect with 5 amp fuse. [Power only when the key is on]
3. Move wire 13 on the IGN. relay from 87A to 87 and leave 97EN disconnected.
4. Locate relay 1217 and cut wire 17EF. Take the relay side of the circuit and run it too a good ground source. Then take the module side of the circuit 17EF and tap into an ignition source like circuit 17. [This supplies the ECM power to pin 39]
5. Remove wire 17EE from the Icon module 1213 connector pin 5 and connect to a good ground.



For Prostar/Lonestar Series:

1. Remove 595ANZ from DLB and program the body controller. Then remove the un-switched battery power to the ICON module.



Hide Details

Feedback Information

Viewed: 1378
 Helpful: 250
 Not Helpful: 169

No Feedback Found