


# HVAC Drain Tube Clogged with Debris

**Service Category** Vehicle Interior

**Section** Heating/Air Conditioning

**Market** USA

Scion Supports  
 ASE Certification 

## Applicability

YEAR(S)	MODEL(S)	ADDITIONAL INFORMATION
2008 – 2012	xD	

## Introduction

Some 2008 – 2012 Scion xD vehicles may exhibit a condition where water from the HVAC case leaks on the carpet if the HVAC evaporator drain is becoming blocked with debris. A new cowl panel has been made available to help prevent debris from entering the HVAC unit. Follow the procedure listed in this bulletin to remove and replace the cowl panel.

## Production Change Information

This bulletin applies to vehicles produced **BEFORE** the Production Change Effective VINs shown below.

MODEL	DRIVETRAIN	PRODUCTION CHANGE EFFECTIVE VIN
Scion xD	AT	JTKKU4B4#C1028535
	MT	JTKKU4B4#C1028553

## Parts Information

PREVIOUS PART NUMBER	CURRENT PART NUMBER	PART NAME	QTY
55708-52160	55708-52161	Louver Sub-assembly, Cowl Top Ventilator, RH	1

## HVAC Drain Tube Clogged with Debris

### Warranty Information

OP CODE	DESCRIPTION	TIME	OPF	T1	T2
BD1242	R & R Right Cowl Louver Sub-assembly	0.5	55708-52160	66	54

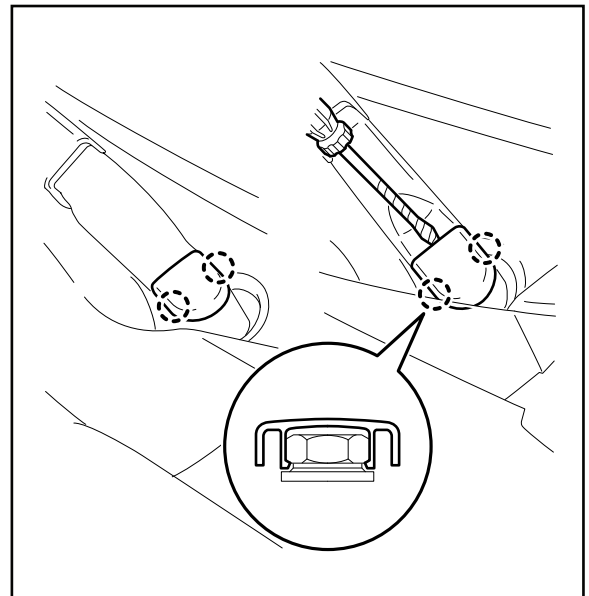
#### APPLICABLE WARRANTY

- This repair is covered under the Toyota Basic Warranty. This warranty is in effect for 36 months or 36,000 miles, whichever occurs first, from the vehicle's in-service date.
- Warranty application is limited to occurrence of the specified condition described in this bulletin.

### Repair Procedure

1. Verify the HVAC evaporator drain hose is blocked with debris.
2. Remove the HVAC blower motor and clean the HVAC blower motor housing.
3. Remove the HVAC drain tube and verify the drain tube and HVAC box are not blocked with debris. If there is debris in the HVAC Box or drain tube remove the debris before continuing with this repair.
4. Remove front wiper arm head caps.
  - A. Use a screwdriver with the head wrapped in protective tape.
  - B. Disengage the 2 claws and remove the 2 front wiper arm caps.

Figure 1.

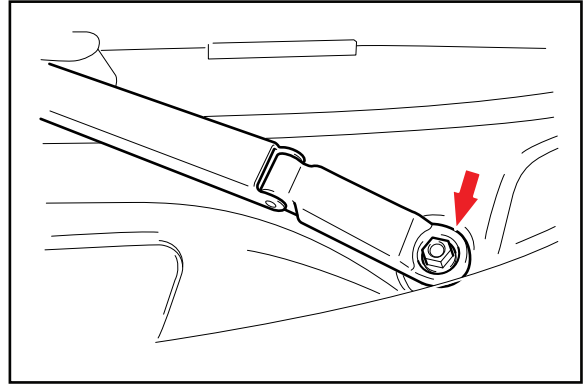


## HVAC Drain Tube Clogged with Debris

### Repair Procedure (Continued)

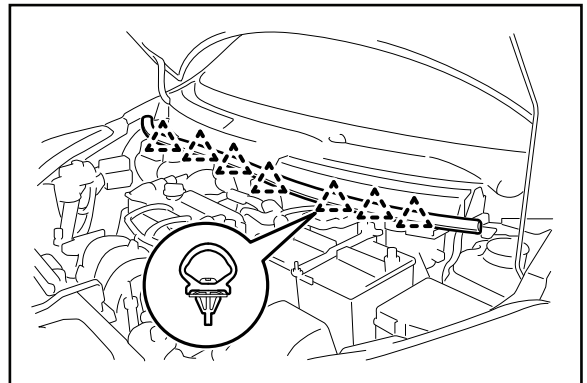
5. Remove front wiper arm and blade assembly.
  - A. Operate the wiper, then stop the wiper motor in the automatic stop position.
  - B. Remove the nut and front wiper arm and blade assemblies.

Figure 2.



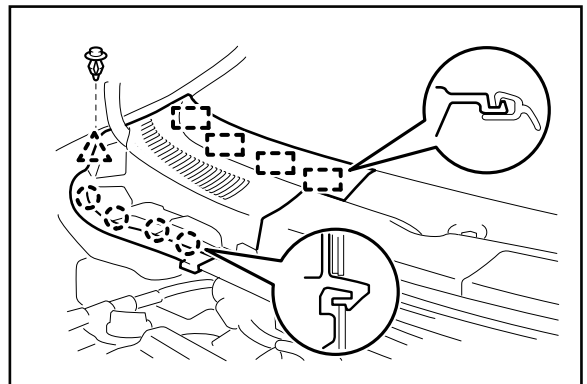
6. Remove hood to cowl top seal by disengaging the 7 clips.

Figure 3.



7. Remove right cowl top ventilator louver sub-assembly.
  - A. Remove the clip.
  - B. Disengage the 4 claws and 4 guides and remove the cowl top ventilator louver.

Figure 4.



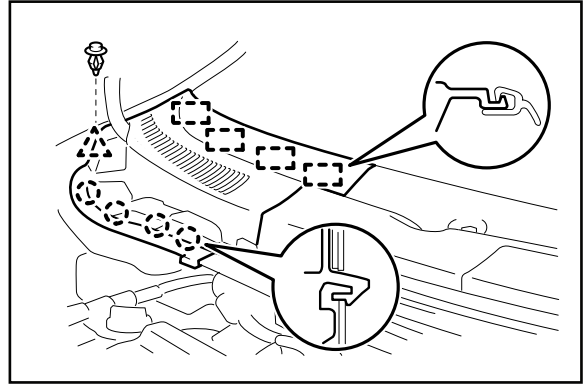
## HVAC Drain Tube Clogged with Debris

---

### Repair Procedure (Continued)

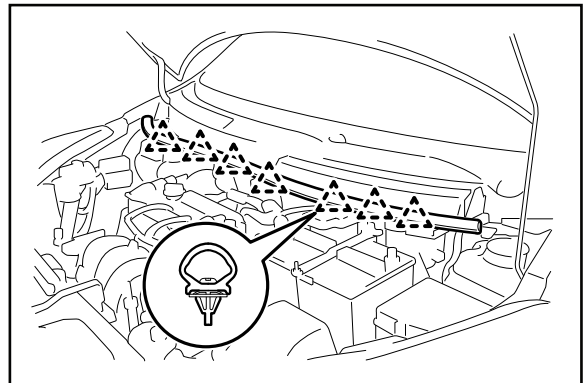
8. Install the NEW cowl top ventilator louver sub-assembly by engaging the 4 claws.

Figure 5.



9. Install hood to cowl top seal by engaging the 7 clips.

Figure 6.

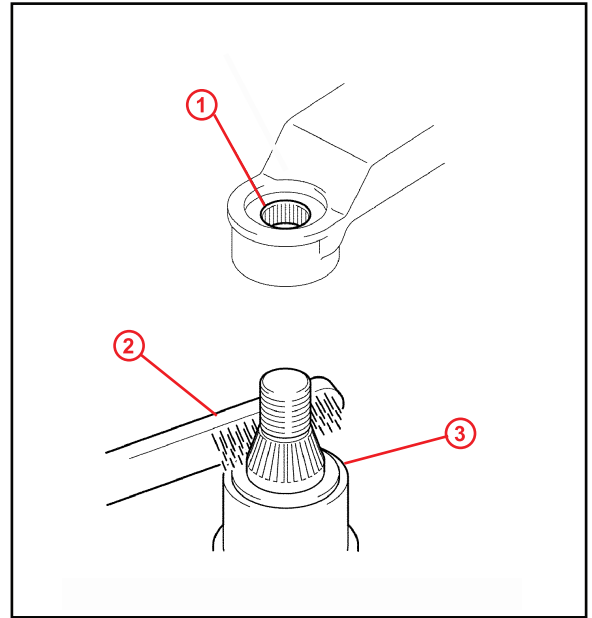


## HVAC Drain Tube Clogged with Debris

### Repair Procedure (Continued)

10. Install left front wiper arm and blade assembly.
  - A. Clean any metal powder or debris off the serrated part of the wiper arm with a round wire brush or equivalent.
  - B. Clean the wiper pivot serrations with a wire brush.
  - C. Operate the wiper, then stop the wiper motor in the automatic stop position.

Figure 7.

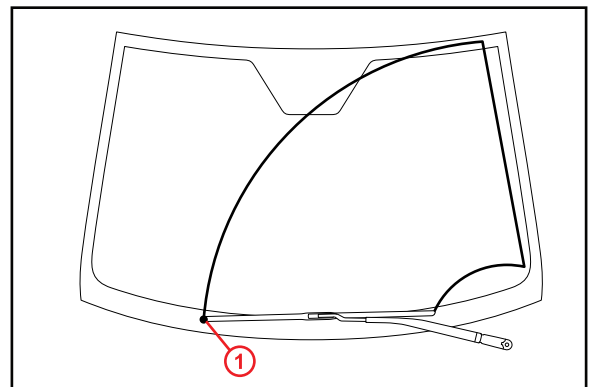


1	Wiper Arm Serrations
2	Wire Brush
3	Wiper Pivot Serrations

11. Align the blade tip with the mark on the glass.

Tighten the nut on the front wiper arm.  
**Torque: 26 N\*m (265 kgf\*cm, 19 ft\*lb)**

Figure 8.



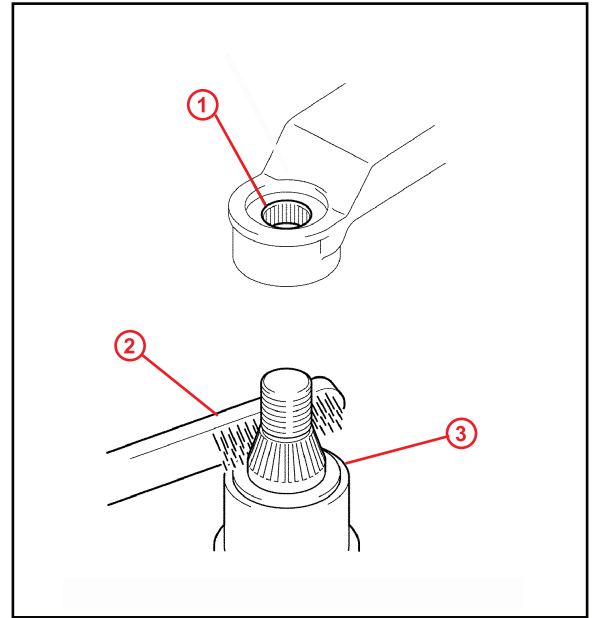
1	Mark for Blade Position
---	-------------------------

## HVAC Drain Tube Clogged with Debris

### Repair Procedure (Continued)

12. Install Right front wiper arm and blade assembly
  - A. Clean any metal powder or debris off the serrated part of the wiper arm with a round wire brush or the equivalent.
  - B. Clean the wiper pivot serrations with a wire brush.
  - C. Operate the wiper, then stop the wiper motor in the automatic stop position.

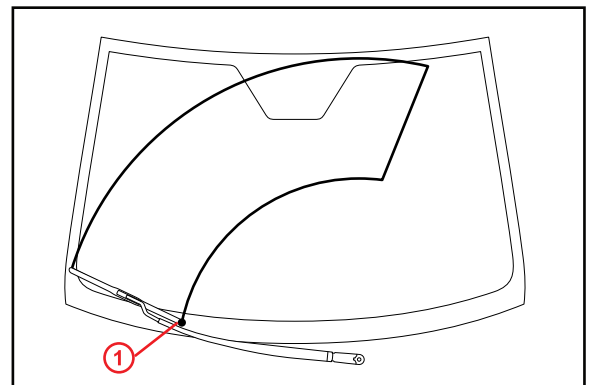
Figure 9.



1	Wiper Arm Serrations
2	Wire Brush
3	Wiper Pivot Serrations

13. Align the blade tip with the mark on the glass.  
Tighten the nut on the front wiper arm.  
**Torque: 26 N\*m (265 kgf\*cm, 19 ft\*lbf)**

Figure 10.



1	Mark for Blade Position
---	-------------------------

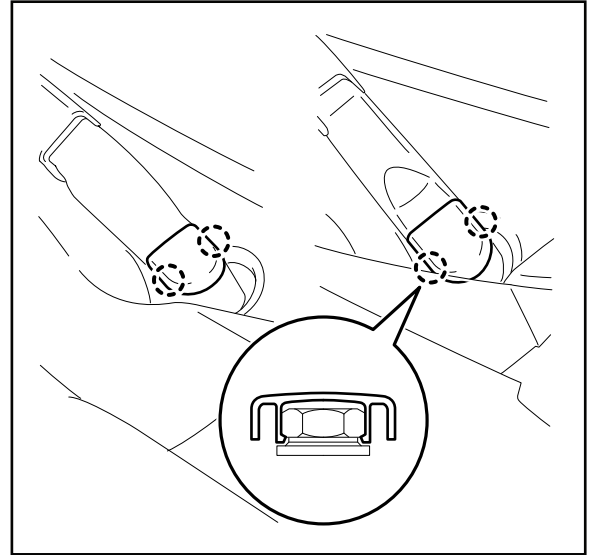
## HVAC Drain Tube Clogged with Debris

---

### Repair Procedure (Continued)

14. Install RH/LH front wiper arm head caps by engaging the 2 claws and installing the 2 front wiper arm head caps.

Figure 11.



15. Verify proper wiper operation.
16. Verify proper HVAC system operation and evaporator drainage.