

S-SB-0001-10 Rev1 January 6, 2010

Back Door Garnish Loose or Broken

Service Category Vehicle Exterior

Section Exterior Panels/Trim

Market USA

Scion Supports ASE Certification 

Applicability

YEAR(S)	MODEL(S)	ADDITIONAL INFORMATION
2005 – 2010	tC	Plant Code(s): 0 WMI(s): JTK

REVISION NOTICE

March 12, 2013 Rev1:

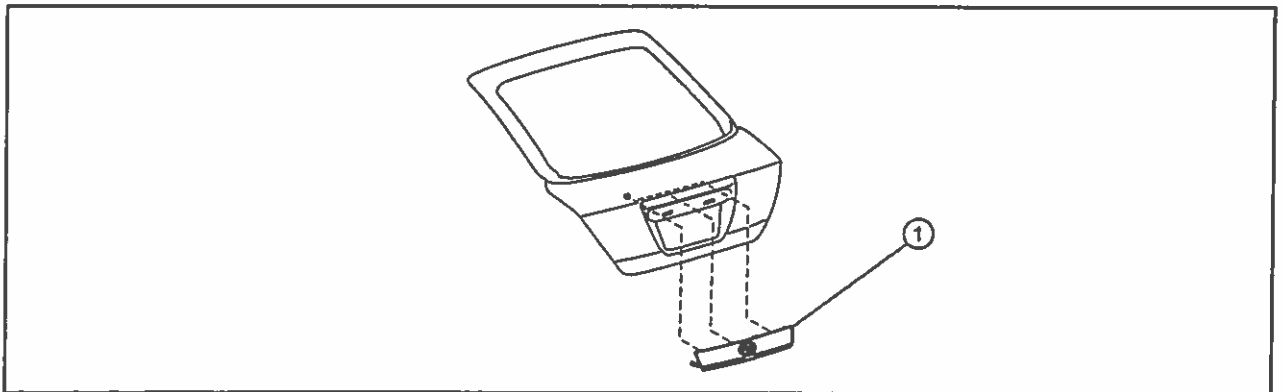
- The Title has been updated.
- The Introduction and Parts Information sections have been updated.

Any previous printed versions of this bulletin should be discarded.

Introduction

Some 2005 – 2010 model year tC vehicles may exhibit a condition where the back door garnish becomes loose, and in some cases continued usage of the loose garnish may result in breakage. Please follow the procedure contained in this bulletin, which supplements the Repair Manual, to replace the back door garnish if it is loose or broken.

Figure 1.



1	Back Door Garnish Sub-assembly Outside
---	--

Back Door Garnish Loose or Broken

Production Change Information

This bulletin applies to vehicles produced **BEFORE** the Production Change Effective VIN shown below.

MODEL	PLANT	PRODUCTION CHANGE EFFECTIVE VIN
IC	Tsutsumi	JTKDE3B7#A0305859

Warranty Information

OP CODE	DESCRIPTION	TIME	OFF	T1	T2
BD9058	R & R Garnish Sub-Assembly	0.4	76801-21070-##	62	12

APPLICABLE WARRANTY

- This repair is covered under the Toyota Comprehensive Warranty. This warranty is in effect for 36 months or 36,000 miles, whichever occurs first, from the vehicle's in-service date.
- Warranty application is limited to occurrence of the specified condition described in this bulletin.

Parts Information

PREVIOUS PART NUMBER	CURRENT PART NUMBER	PART NAME	NOTE	QTY
-	76801-21120-##	Garnish Sub-Assembly, Back Door, Outside	WITHOUT Back Door Opener Switch Assembly	1
90179-05102	90080-17189	Nut, Flange	-	4

Required Tools & Equipment

SPECIAL SERVICE TOOLS (SST)	PART NUMBER	QTY
Plastic Pry Tool Set*	00002-06000-01	1

* Essential SST.

NOTE

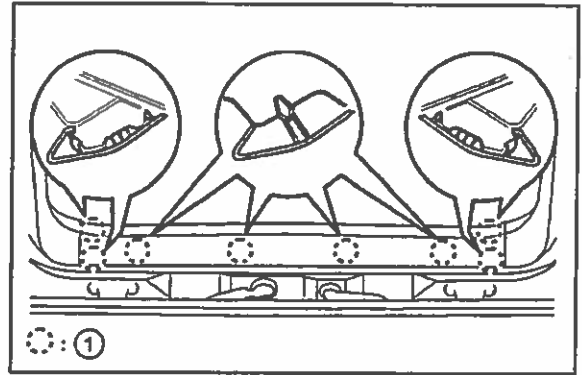
Additional SSTs may be ordered by calling 1-800-933-8335.

Back Door Garnish Loose or Broken

Repair Procedure

1. Using a plastic pry tool, detach the 8 claws and remove the back door garnish center.

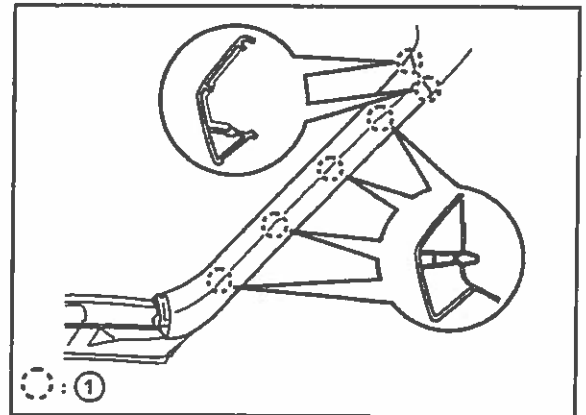
Figure 2.



1	Claws
---	-------

2. Using a plastic pry tool, detach the 6 claws and remove the left and right hand side back door garnish.

Figure 3.



1	Claws
---	-------

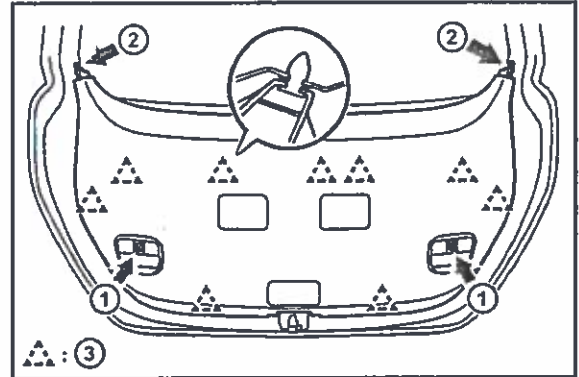
Back Door Garnish Loose or Broken

Repair Procedure (Continued)

3. Remove the back door trim board assembly.

- A. Remove the 2 screws.
- B. Using a plastic pry tool, detach the two upper clips.
- C. Using a plastic pry tool, remove the 9 lower clips and remove the back door trim board assembly.

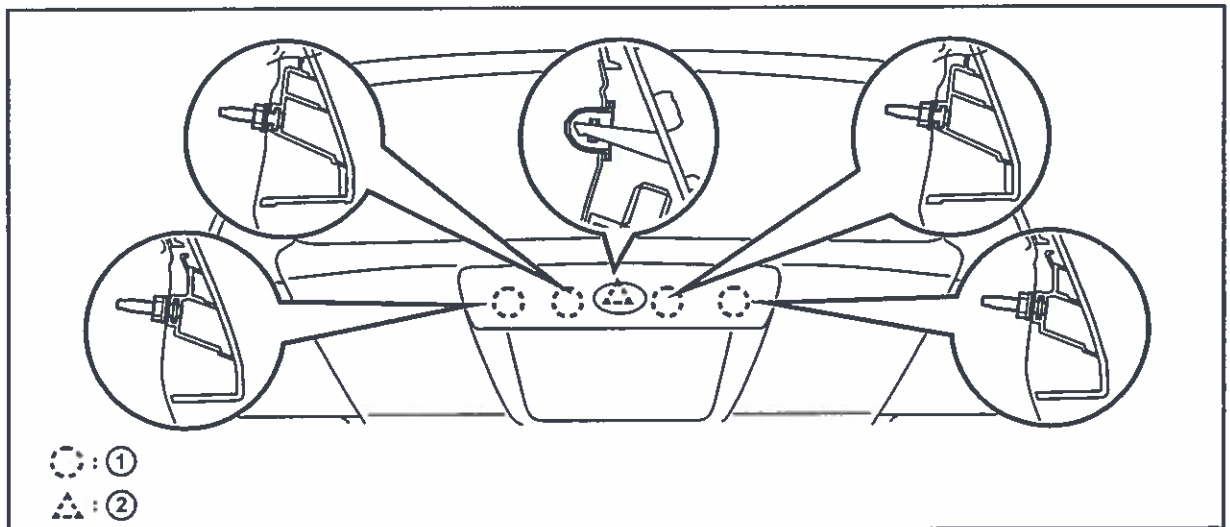
Figure 4.



1	Screws
2	Upper Clips
3	Lower Clips

4. Remove the Back Door Outside Garnish Sub-assembly.

Figure 5.



1	Nuts
2	Clip

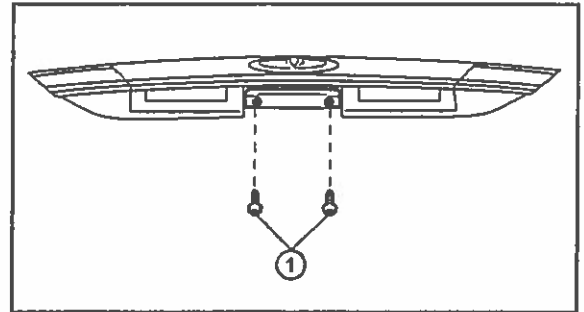
- A. Remove the 4 nuts.
- B. Detach the clip and disconnect the connector. Then remove the garnish.

Back Door Garnish Loose or Broken

Repair Procedure (Continued)

5. Remove the 2 screws and the opener switch.

Figure 6.



1	Screws
---	--------

6. Install the 2 screws and the opener switch in the NEW Back Door Garnish Sub-assembly (P/N 76801-21120-##).
7. Install the Back Door Outside Garnish Sub-assembly to the vehicle using the 4 nuts (P/N 90080-17189).

Torque: 4.9 N*m (49.9 kgf*cm, 43.5 in*lbft)

NOTICE

Do NOT use power tools during installation.

8. Reassemble vehicle in reverse order of disassembly steps 1 – 5.

