

# Glove Compartment Rattle over Rough Roads

**Service Category** Vehicle Interior

**Section** Interior Panels/Trim

**Market** USA

Toyota Supports  
 ASE Certification 

## Applicability

YEAR(S)	MODEL(S)	ADDITIONAL INFORMATION
2012	Prius C	

## Introduction

Some 2012 model year Prius C vehicles may exhibit a ticking noise coming from the glove box when driving over rough roads. The glove compartment has been revised to address this condition.

## Production Change Information

This bulletin applies to vehicles produced **BEFORE** the Production Change Effective VINs shown below.

MODEL	PLANT	PRODUCTION CHANGE EFFECTIVE VIN
Prius C	TMEJ Iwate #1	JTDKDTB3#C1017738
	TMEJ Iwate #2	JTDKDTB3#C1516938

## Warranty Information

OP CODE	DESCRIPTION	TIME	OPF	T1	T2
550101	R & R Glove Compartment Door Assembly	0.1	55550-52320-C0	91	40

### APPLICABLE WARRANTY

- This repair is covered under the Toyota Basic Warranty. This warranty is in effect for 36 months or 36,000 miles, whichever occurs first, from the vehicle's in-service date.
- Warranty application is limited to occurrence of the specified condition described in this bulletin.

## Parts Information

PART NUMBER	PART NAME	QTY
55550-52320-C0	Door Assy, Glove Compartment	1

## Glove Compartment Rattle over Rough Roads

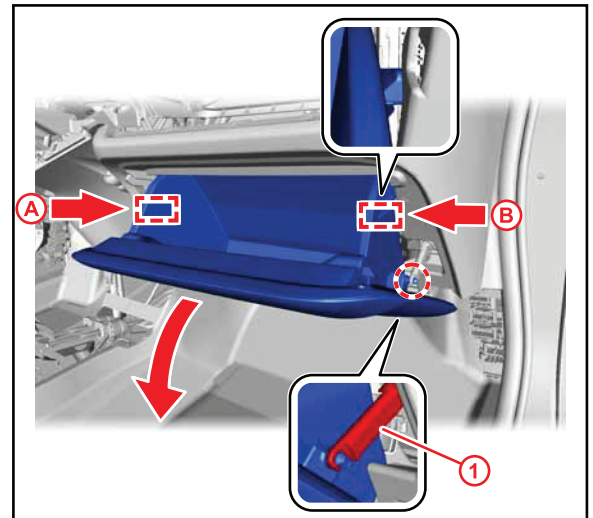
---

### Repair Procedure

1. Remove the Glove Compartment Door Assembly.

A. Disengage the claw and release the glove compartment door stopper sub-assembly.

**Figure 1.**



<b>1</b>	<b>Glove Compartment Door Stopper Sub-assembly</b>
----------	--

B. Slightly bend stoppers A and B in the directions indicated by the arrows in the illustration and pull the Glove Compartment Door Assembly until the stoppers are released.

## Glove Compartment Rattle over Rough Roads

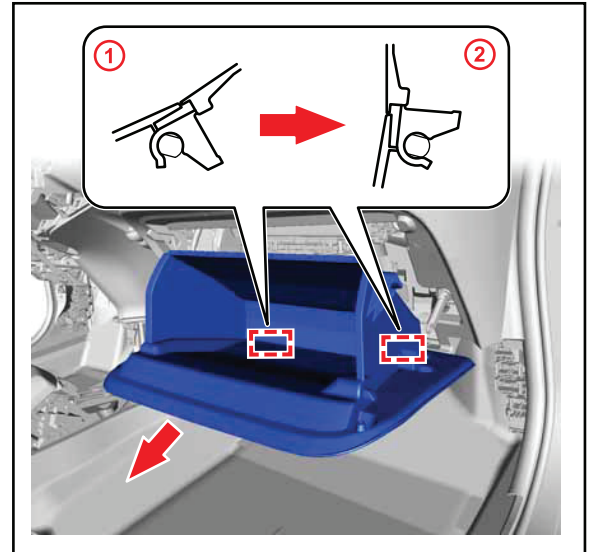
### Repair Procedure (Continued)

- C. Open the Glove Compartment Door Assembly to approximately 55° from its closed position. Pull it horizontally in the direction indicated by the arrow to disengage the 2 hinges and remove it.

**NOTICE**

Pulling the Glove Compartment Door Assembly upward to remove it causes the hinges to deform. Be sure to pull the door assembly horizontally.

Figure 2.



1	Closed
2	Open Approximately 55°

## Glove Compartment Rattle over Rough Roads

### Repair Procedure (Continued)

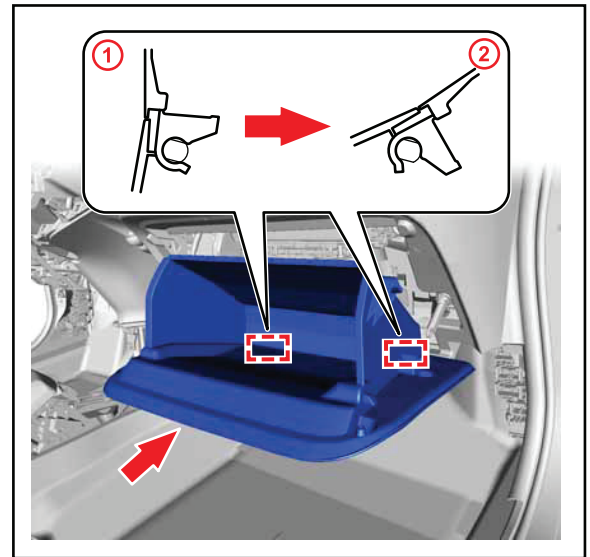
2. Install the NEW Glove Compartment Door Assembly.

A. With the Glove Compartment Door Assembly opened approximately 55° from its closed position, engage the 2 hinges horizontally.

**NOTICE**

Engaging the hinges from the top will deform the hinges. Be sure to install the Glove Compartment Door Assembly horizontally.

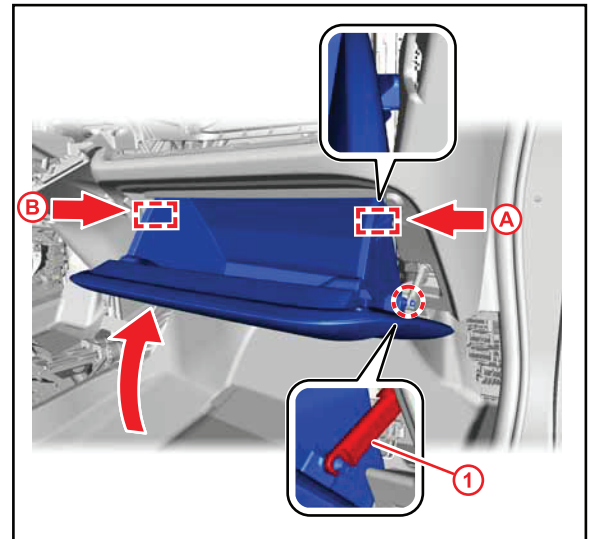
Figure 3.



1	Opened Approximately 55°
2	Closed

B. Slightly bend stoppers A and B in the directions indicated by the arrows in the illustration and engage the stoppers to install the Glove Compartment Door Assembly.

Figure 4.



1	Glove Compartment Door Stopper Sub-assembly
---	---

C. Engage the claw and connect the glove compartment door stopper sub-assembly.