

Roof Rack Cross Bar & Leg Cover Installation During PDS

Service Category General

Section Pre-Delivery Service

Market USA

Lexus Supports
ASE Certification 

Applicability

YEAR(S)	MODEL(S)	ADDITIONAL INFORMATION
2014	LX570	

Introduction

To avoid damage during transportation, the 2014 model year LX 570 roof rack cross bars have been placed inside the vehicle at the assembly plant.

Install the roof rack cross bars and leg covers during Pre-Delivery Service (PDS) according to the following procedure.

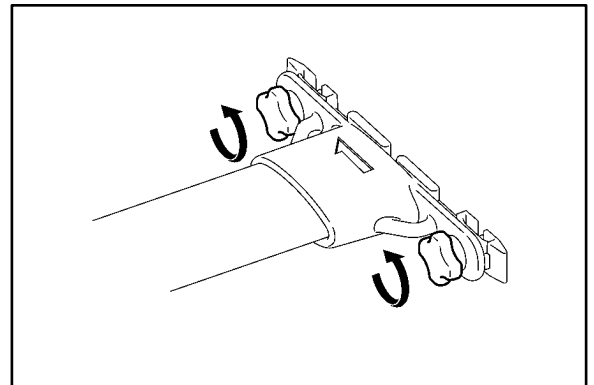
Warranty Information

OP CODE	DESCRIPTION	TIME	ONP	T1	T2
N/A	Not Applicable to Warranty	—	—	—	—

Installation Procedure

1. Loosen the adjustment knobs on each cross bar joint.

Figure 1.



Roof Rack Cross Bar & Leg Cover Installation During PDS

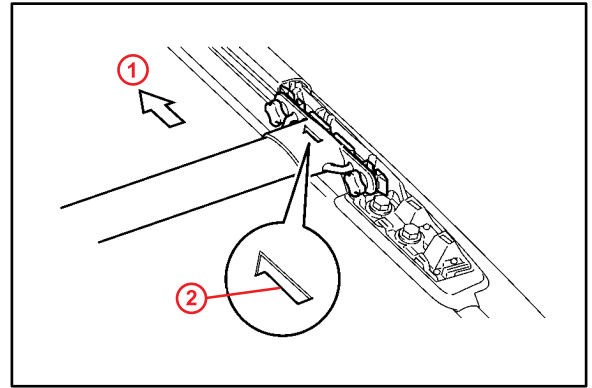
Installation Procedure (Continued)

- Slide the cross bar joints into the grooves of the right and left roof rack rails with the arrow mark on each cross bar joint facing forward.

NOTICE

There is a possibility that the cross bars will create wind noise if they are installed backwards.

Figure 2.



1	Front
2	Arrow Mark

- Position the front and rear cross bars so that they are parallel to each other.

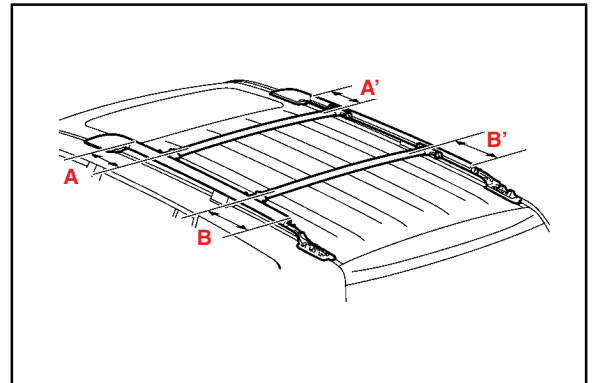
AREA	MEASUREMENT
A	250 mm (9.84 in.)
B	295 mm (11.6 in.)

Then securely tighten the knobs on each cross bar (A = A', B = B').

NOTICE

If the knobs are NOT tightened securely, the knobs may come loose and rattle or possibly fall off the vehicle.

Figure 3.

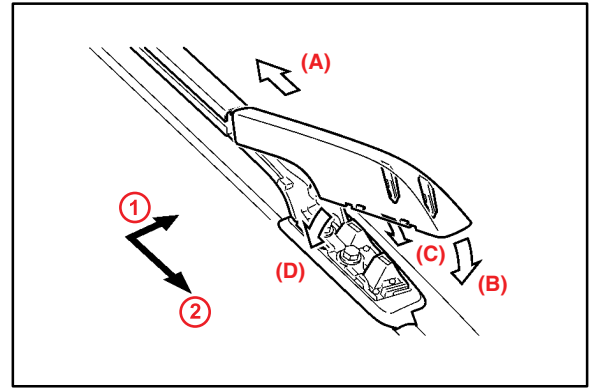


Roof Rack Cross Bar & Leg Cover Installation During PDS

Installation Procedure (Continued)

4. Install the right and left rear roof rack leg covers in the following sequence (labeled in Figure 4).
 - A. Insert the tab at the front of the cover into the roof rack rail.
 - B. Place the cover on the leg and align the rear part of the cover. Do NOT press down.
 - C. Press the cover claws facing the outside of the vehicle into place.
 - D. Press the cover claws facing the inside of the vehicle into place.

Figure 4.



1	Outside
2	Rear

NOTICE

Do NOT press on the claws facing the outside of the vehicle at the same time you are pressing on the claws facing the inside. The leg cover may be damaged.

5. Check that the covers are installed securely.