

# Front License Plate and Mounting Bracket Installation

**Service Category** General

**Section** Pre-Delivery Service

**Market** USA

Lexus Supports  
ASE Certification 

## Applicability

YEAR(S)	MODEL(S)	ADDITIONAL INFORMATION
2014	LX570	

## Introduction

The 2014 model year LX 570 front license plate bracket and 2 self-tapping screws are stored in the luggage compartment of the vehicle at the assembly plant. For states that require a front license plate, install the bracket and bolts on the bumper cover during Pre-Delivery Service (PDS) according to the following procedures.

## Warranty Information

OP CODE	DESCRIPTION	TIME	OFD	T1	T2
N/A	Not Applicable to Warranty	–	–	–	–

## Front License Plate and Mounting Bracket Installation

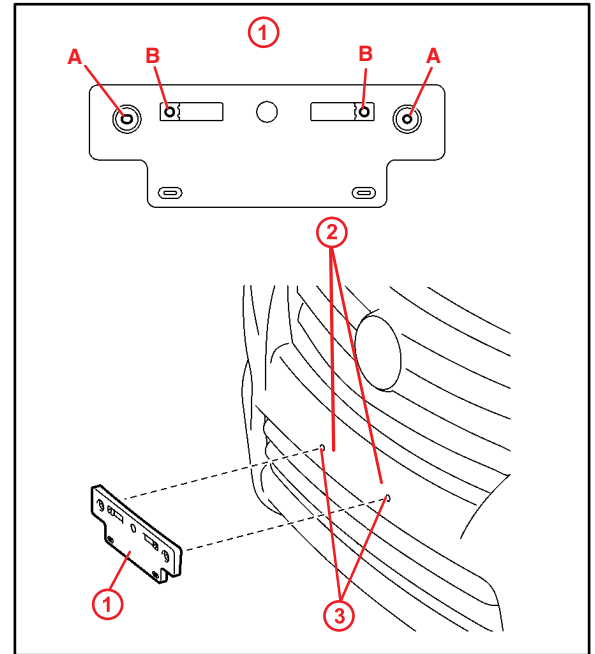
### Installation Procedure

1. Align holes "A" of the mounting bracket with the dimples on the front bumper cover. Mark the location of holes "B" on the front bumper cover.

**NOTE**

- Holes "A" are used for installation of the mounting bracket to the bumper cover.
- Holes "B" are used for installation of the front license plate to the mounting bracket.

Figure 1.



1	Mounting Bracket
2	Mark and Drill Holes
3	Dimples

2. Drill 2 relief holes with a diameter of 11 mm (0.43 in.) at holes "B" on the front bumper cover. This will prevent the license plate retaining bolt ends from contacting the cover.

**NOTICE**

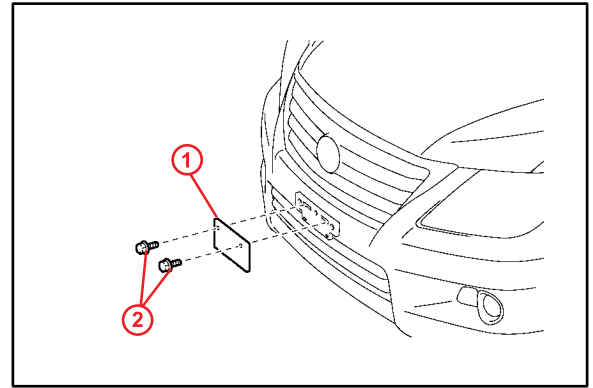
**Do NOT drill into the dimples on the front bumper cover.**

3. Install the mounting bracket to the front bumper cover using the 2 self-tapping screws provided.

## Front License Plate and Mounting Bracket Installation

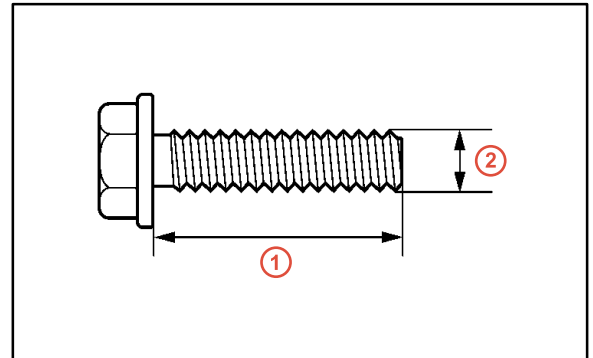
### Installation Procedure (Continued)

4. Install the front license plate using 2 non-corroding bolts with the following dimensions:
- Nominal Length: 15.0 mm (0.59 in.)**  
**Diameter: 6.0 mm (0.24 in.)**



<b>1</b>	<b>Front License Plate</b>
<b>2</b>	<b>Bolts</b>

**Figure 3.**



<b>1</b>	<b>Nominal Length</b>
<b>2</b>	<b>Diameter</b>